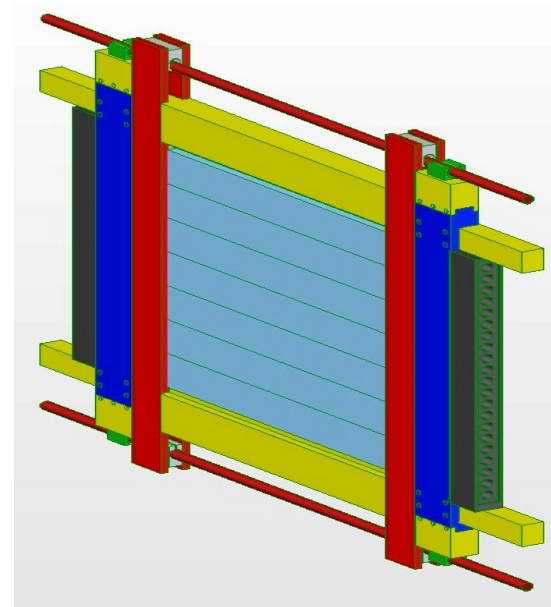
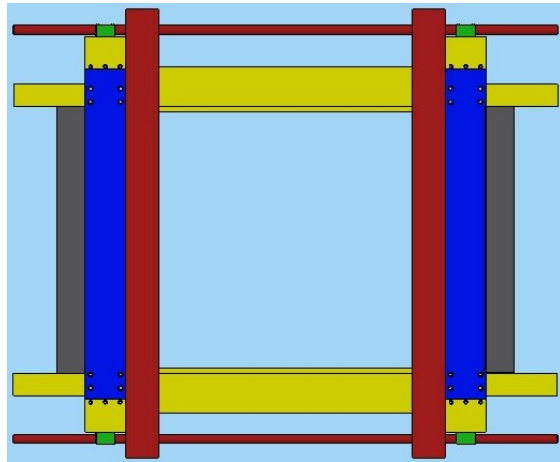


News & Progress since ins7 on:

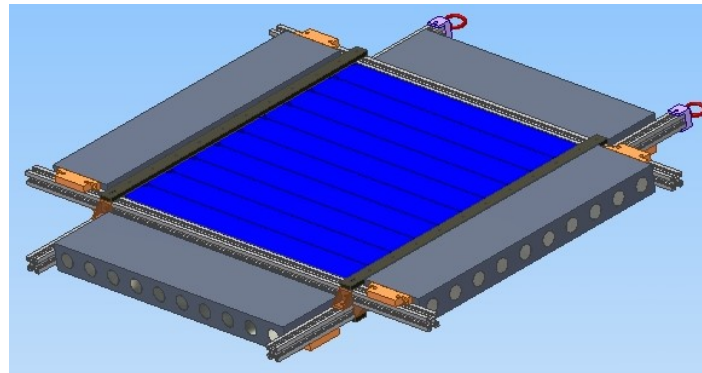
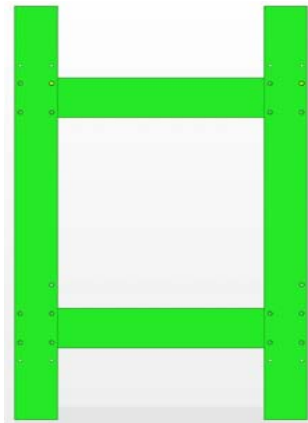
- ❑ Matching of TOF2 & KL shields
- ❑ Design of supporting trolley for TOF2 & KL & SW

Overlapping of TOF2 & KL Iron Shieldings



76,5 mm

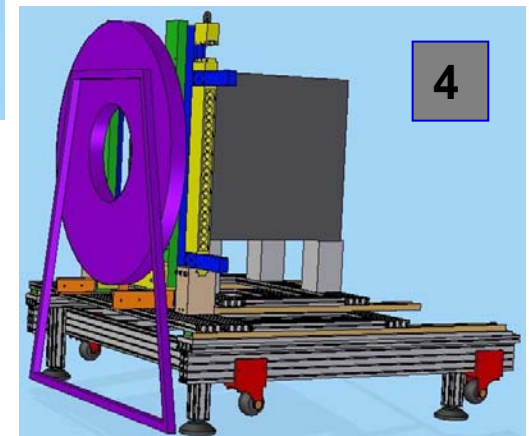
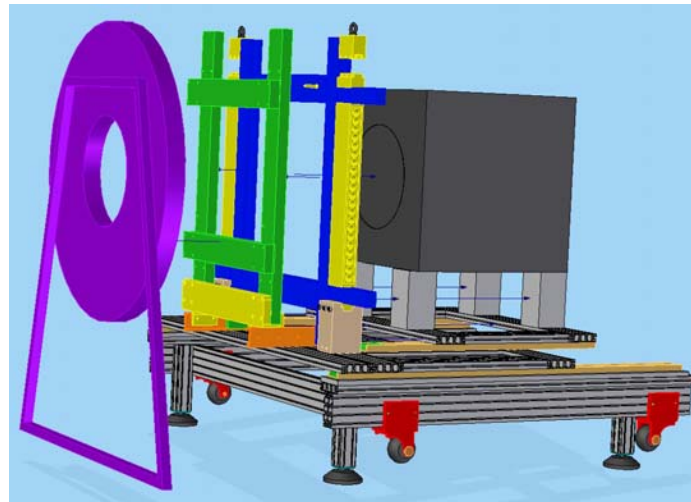
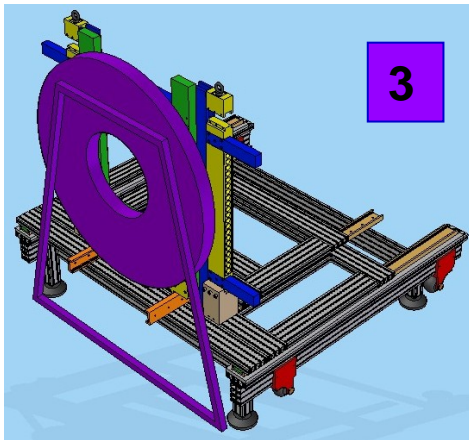
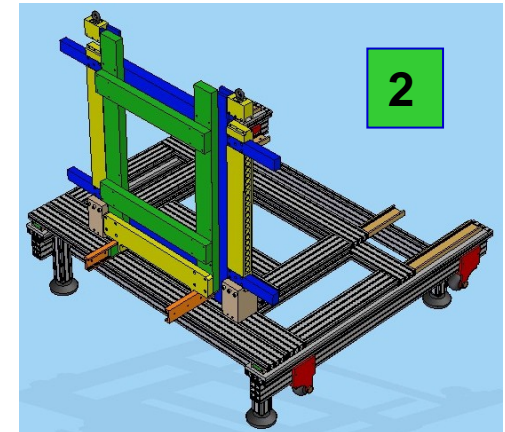
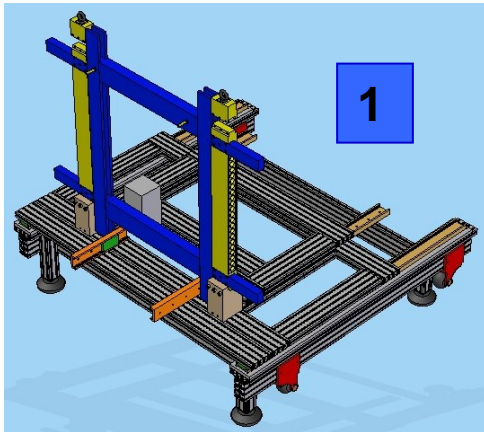
Nominal sizes
along Z



105 mm

Assembling sequence of Downstream PID Detectors

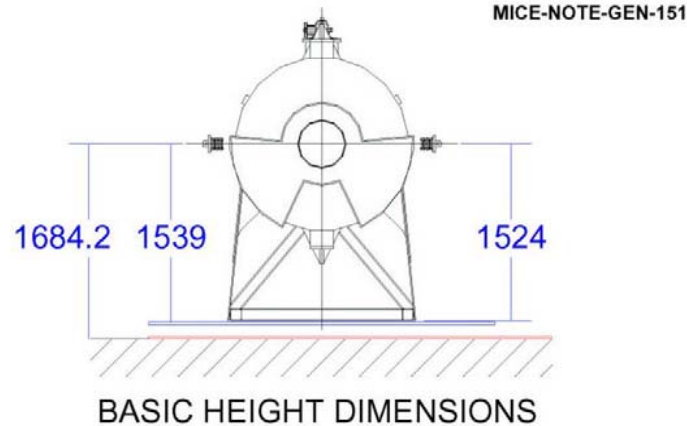
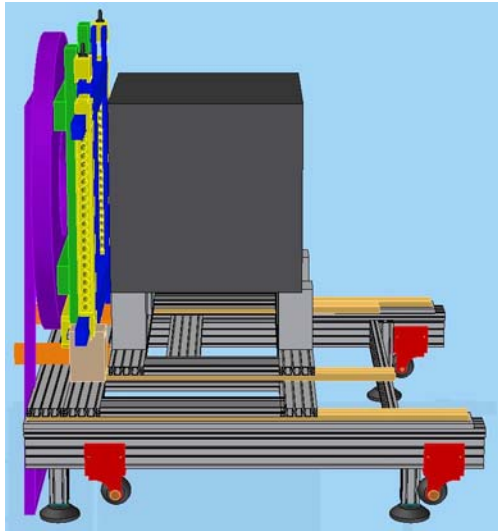
(Frames only are shown)



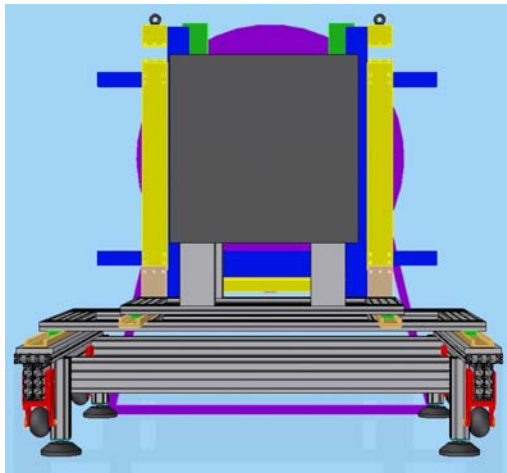
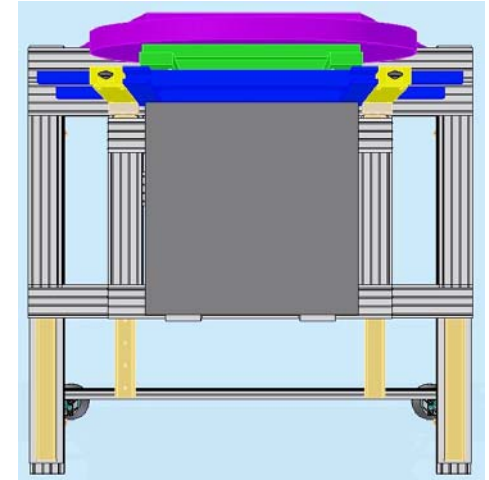
Most of materials needed for trolley construction is already available

Installation in the (Downstream) Beam Area

Virostek slab



NOTE THE GAP BETWEEN 1524 mm AND 1539 mm DIMENSIONS !
THIS IS TO ALLOW THE USE OF MODULE LEVELLING SHIMS



Checks

- Virostek plate linking (Wing)
- Platform slot for trolley (Andy)
 - heights & constraints both in the intermediate (TOF1) and downstream positions
 - lateral anchorages to the floor (not shown)

