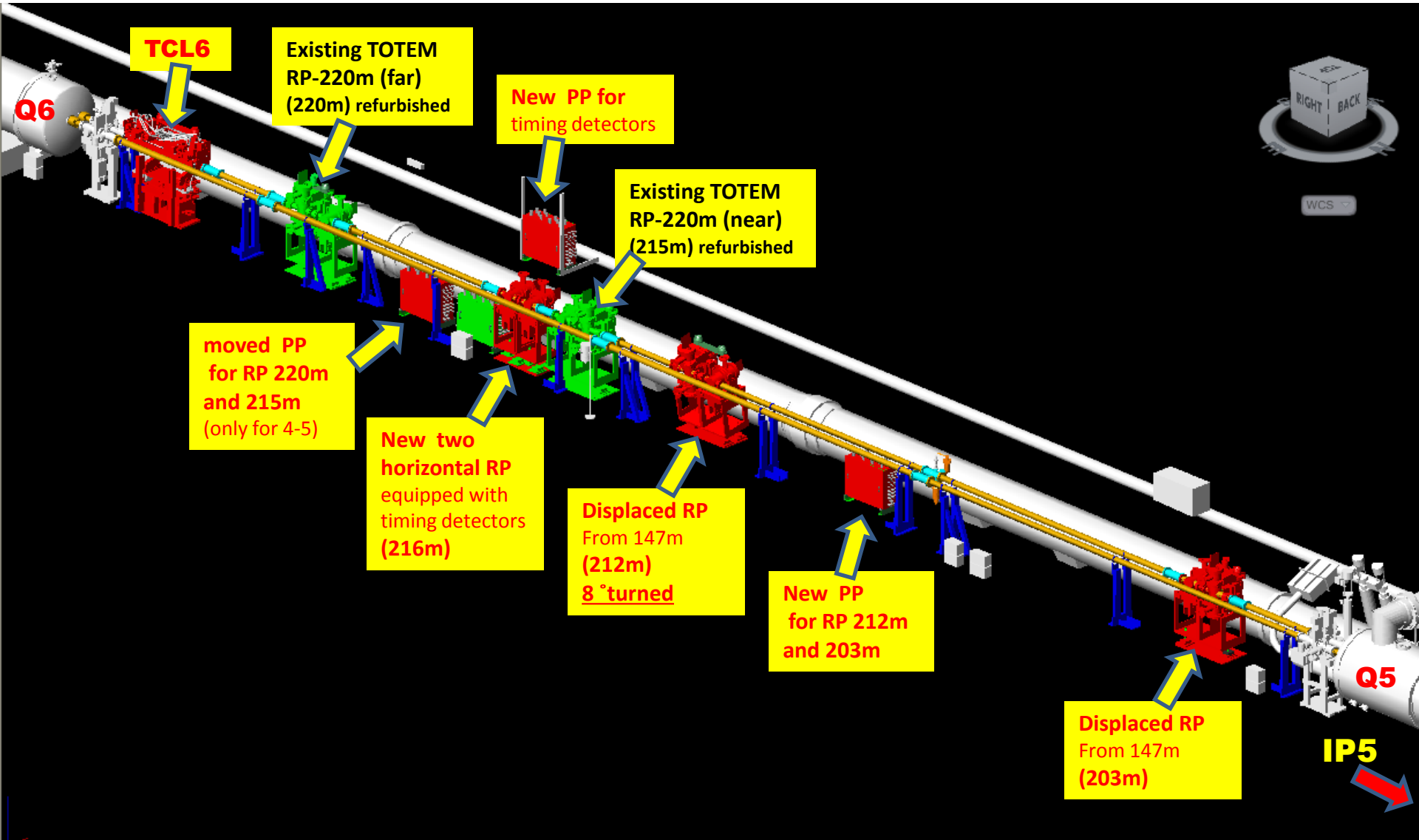


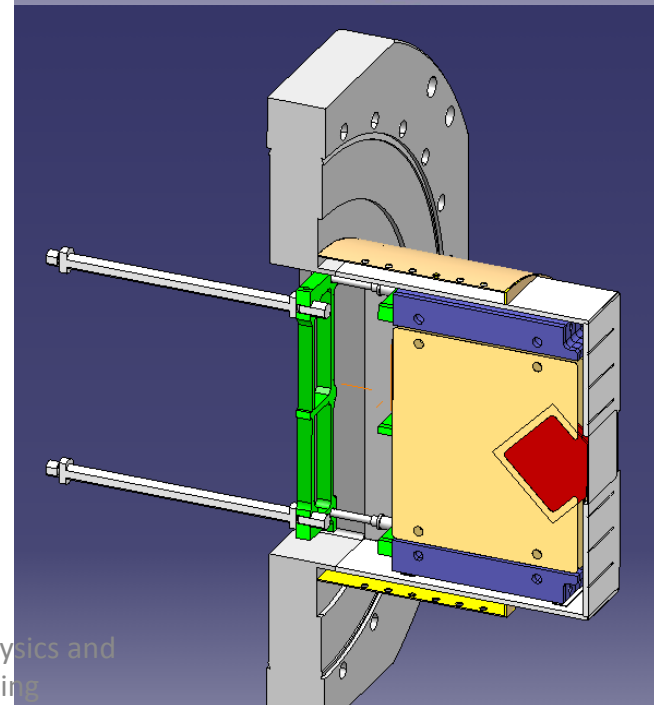
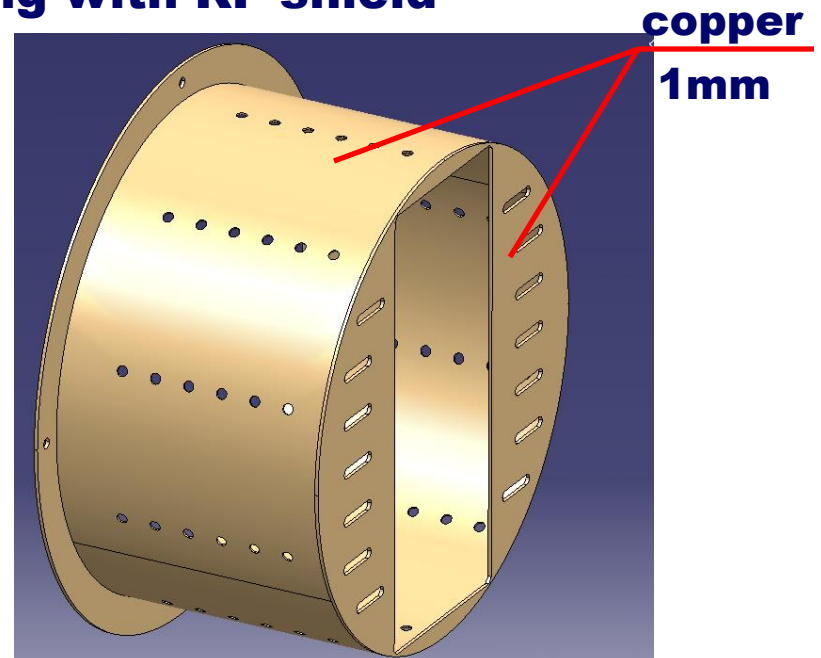
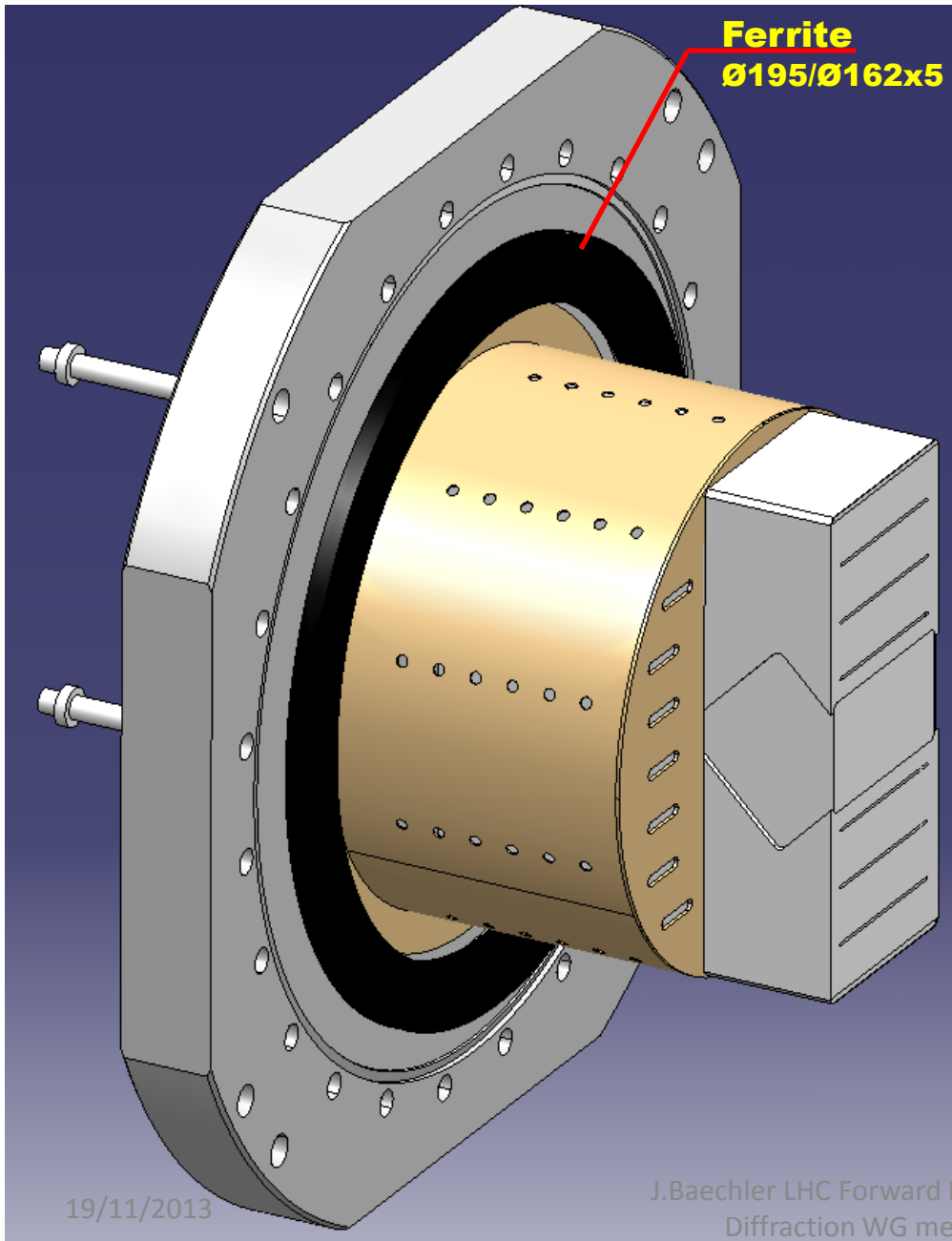
Upgrade activities

- RF shield
- Cylindrical RP
- Test beam preparation

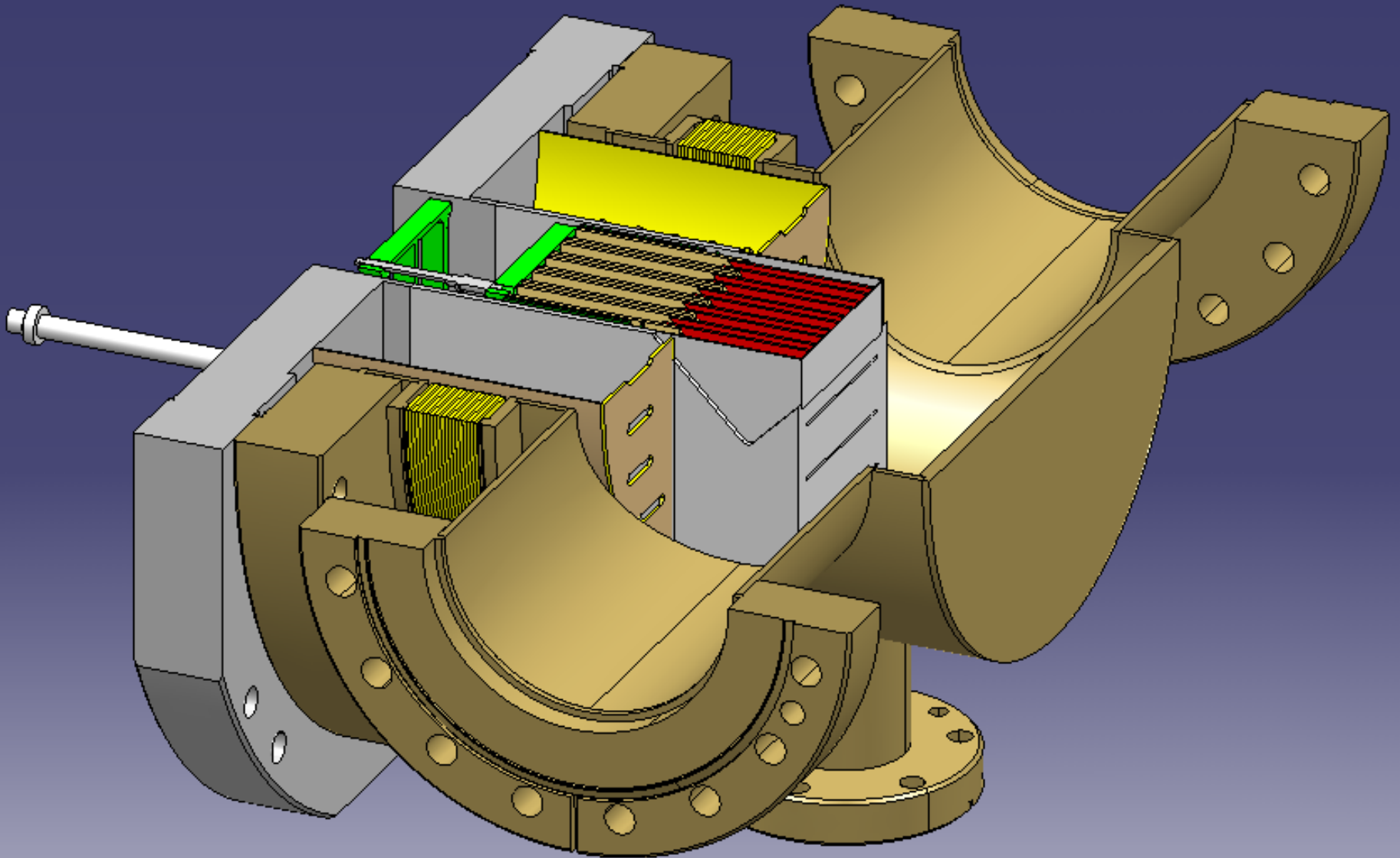
Sector 4-5 (consolidation & upgrade project LS1)

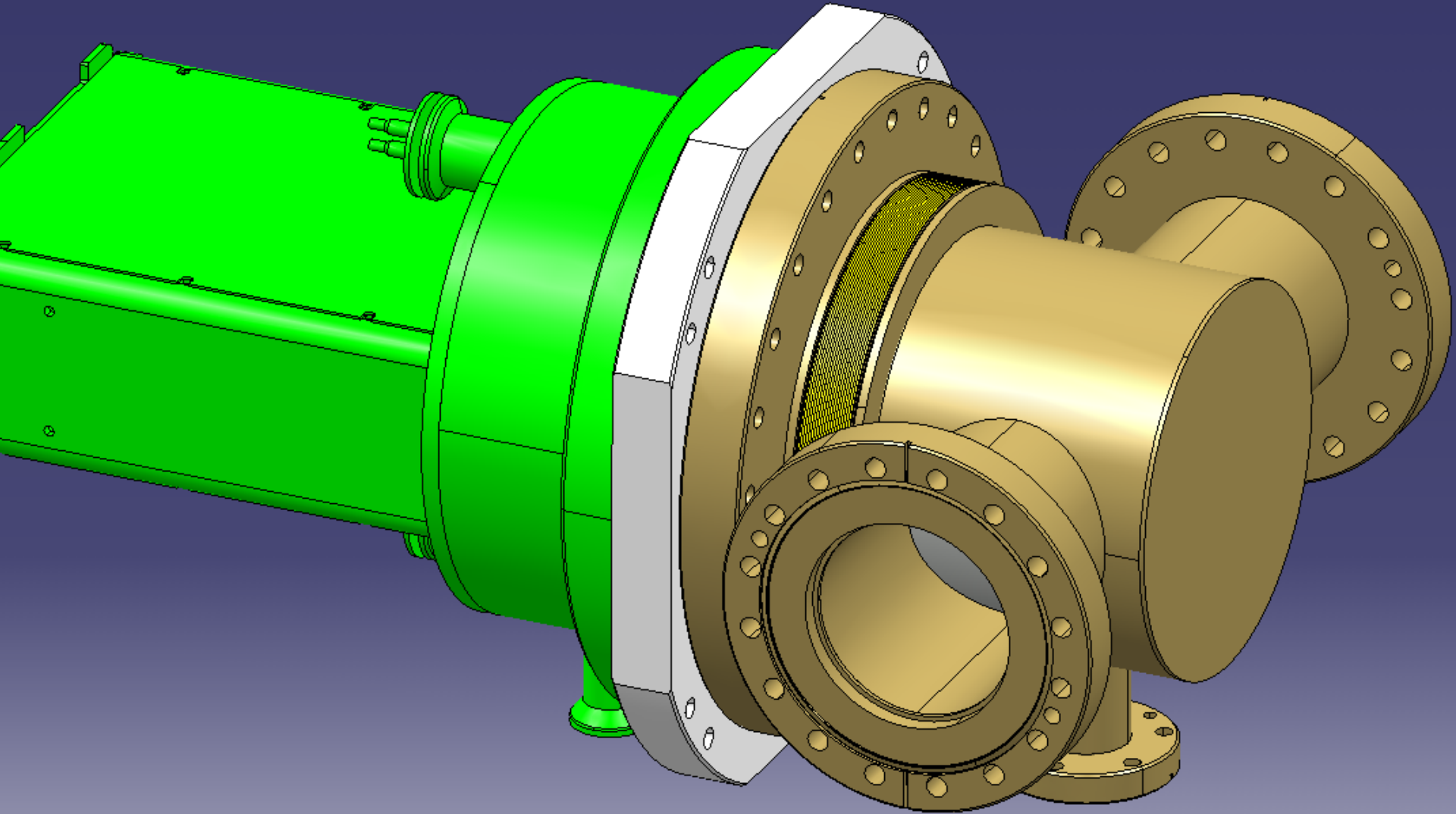


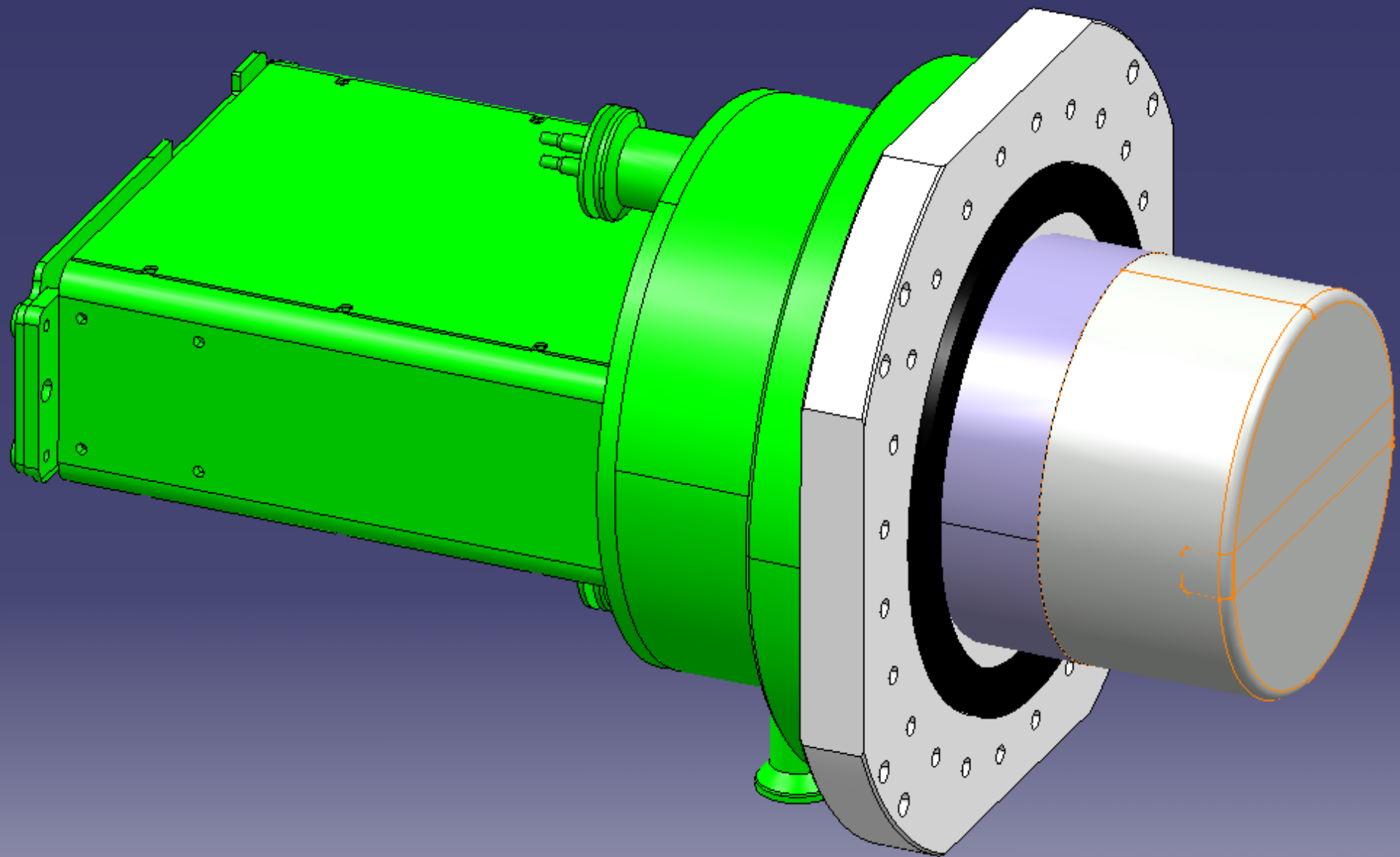
Present (rectangular) housing with RF shield

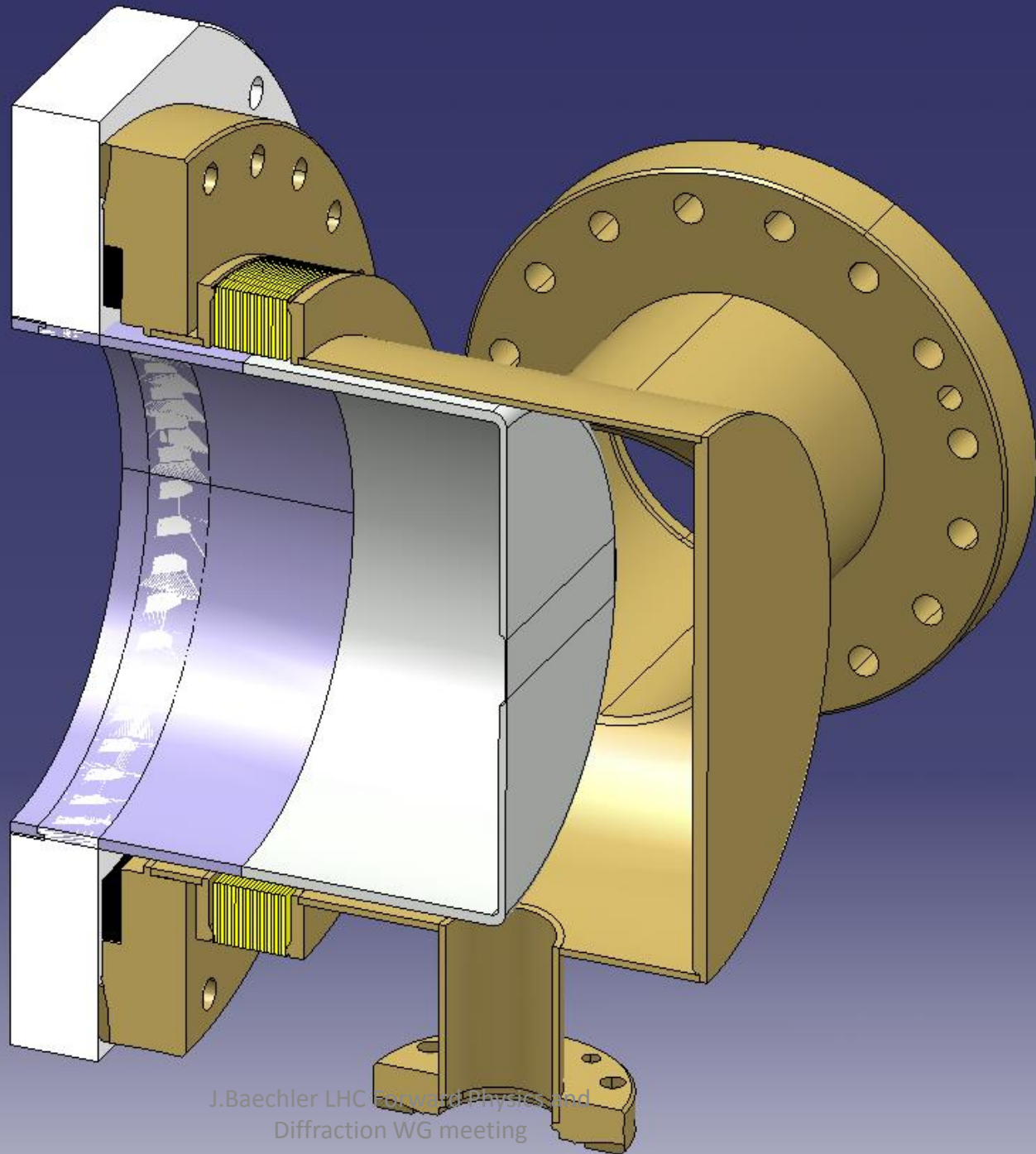


TOTEM RF shield

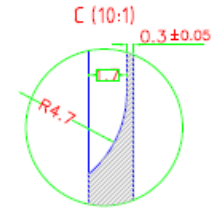
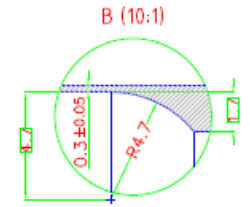
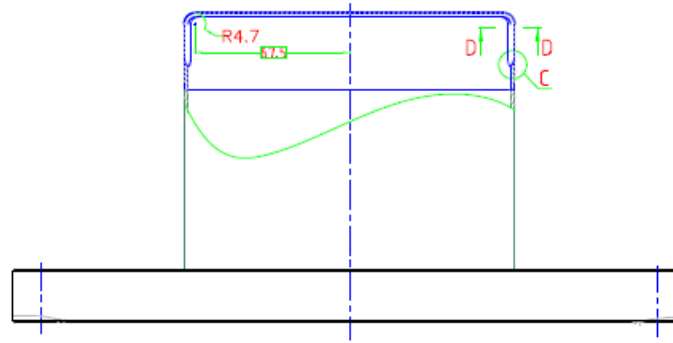
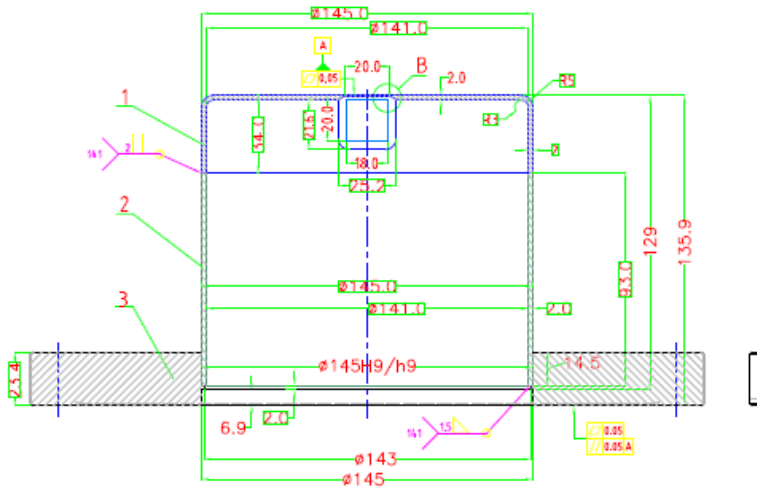




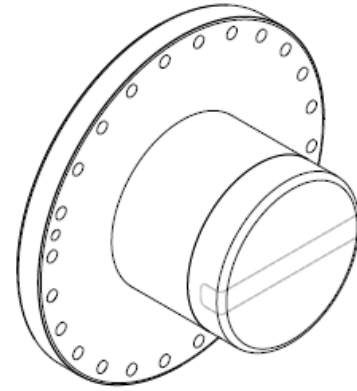
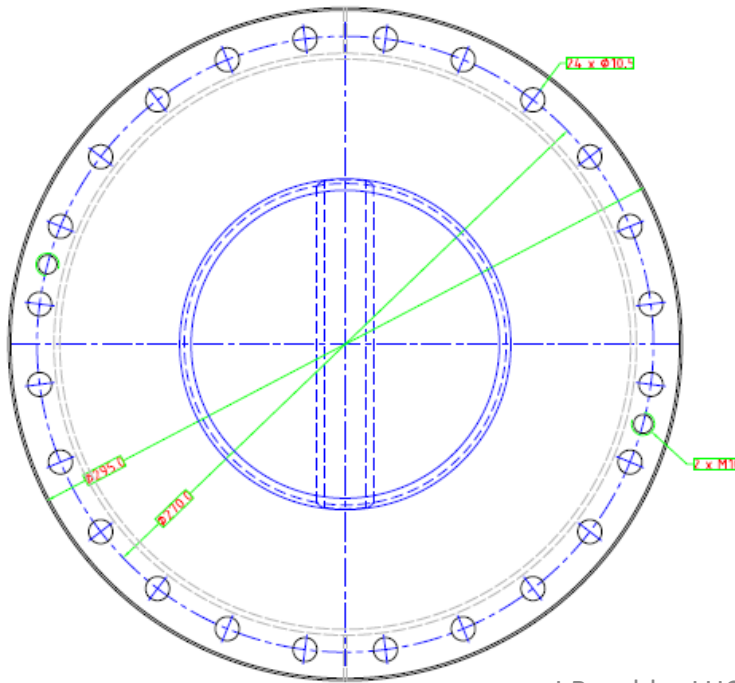
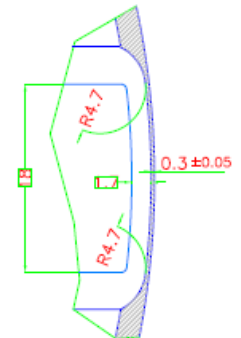




PROTOTYPE



B-D (5:1)



Mass = 23 kg

1. The flange (i.3) can be varied for prototype and pressure test.
2. Pressure test (1bar internal pressure).
3. Pressure test (1bar outer pressure).
4. $\sqrt{10}$.

J.Baechler LHC Forward Physics and Diffraction WG meeting

1	LHV Flange 2957235	3	SHLN	STRINFINIV 0015	
1	Housing jacket	2	SHLN	SDCM 3.0.0.16.035.7	
1	Housing case	1	SHLN		
REV	DESCRIPTION	REV	DATE	REVISIONS	REVISION
SCALE				DATE	REV
1:1				2013-05-28	
Cylindrical housing PROTOTYPE					
NOT VALID FOR EXECUTION					
NOT VALID FOR EXECUTION					

19/11/2013

NO.	DATE	WORKNAME	ZONE	OPERATION





19/11/2013

Baechler LHC Forward Physics and
Diffraction WG meeting



19/11/2013

J.Baechler LHC Forward Physics and
Diffraction WG meeting

12

Test beam activity 2014

universal ps detector test setup

Test beam at PSI , CERN- PS and CERN- SPS scheduled for 2014