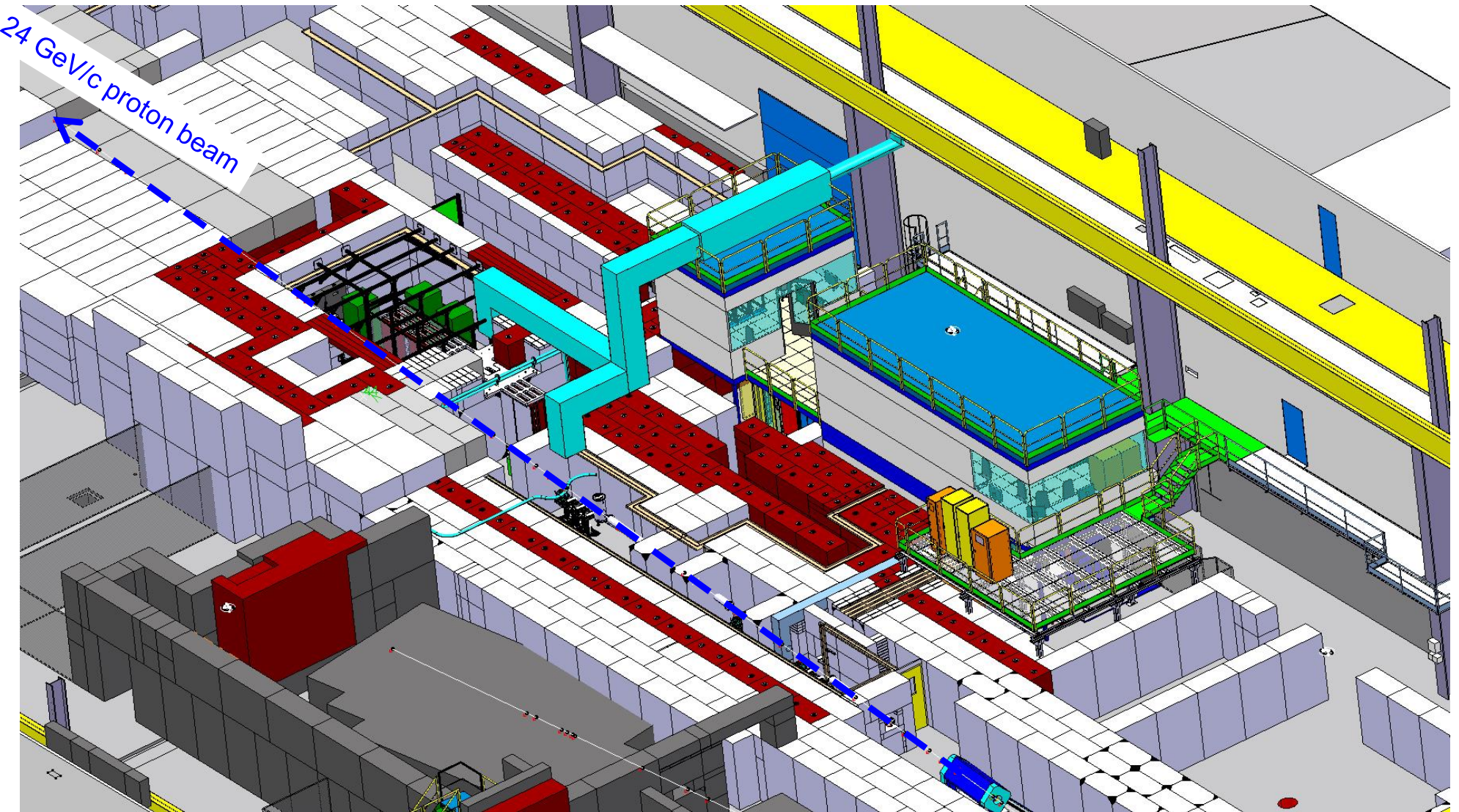


PS East Area Update

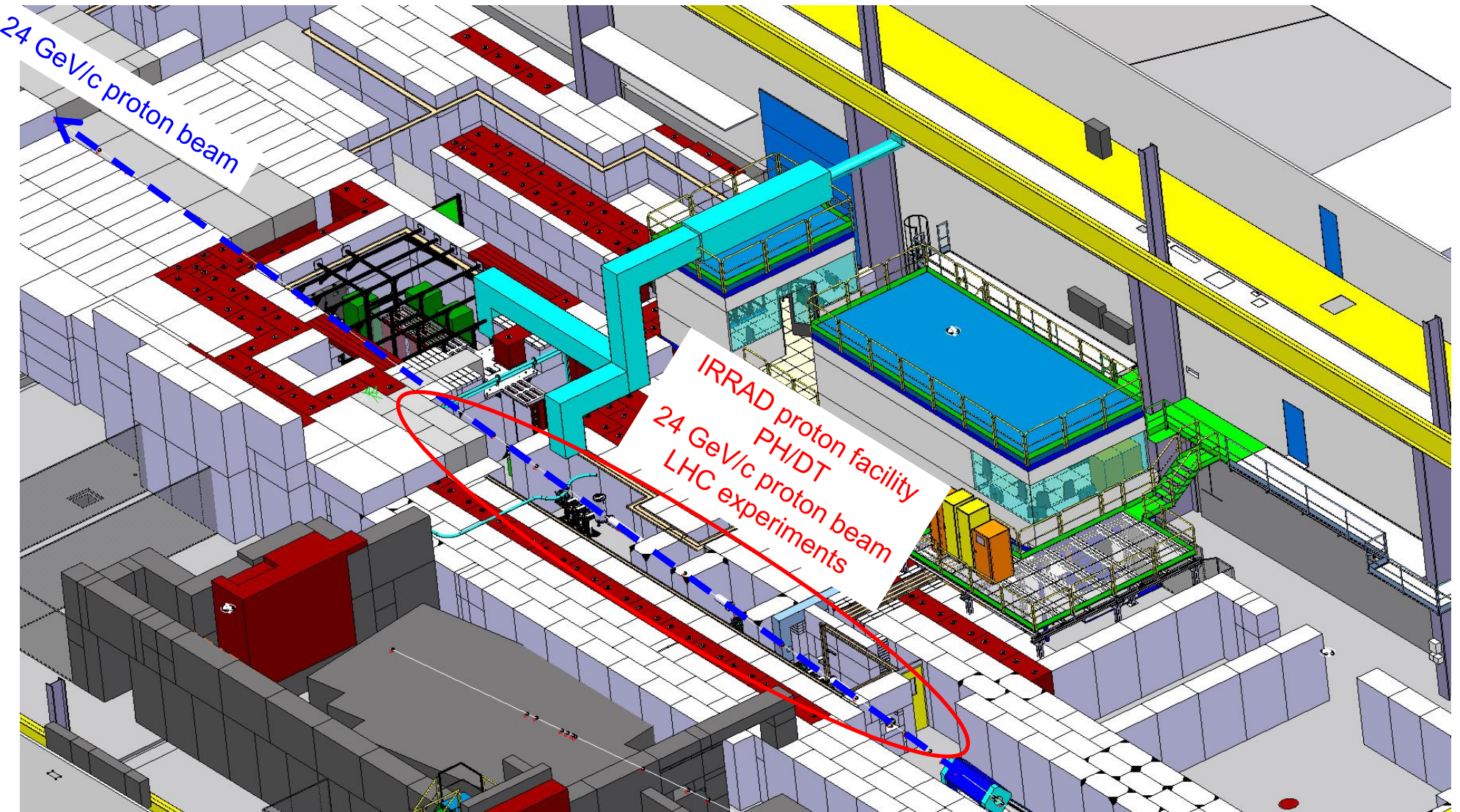
- **Outline**

- Layout updates of the facility
- Conveyer
- Rail system
- Mock-up
- Other news

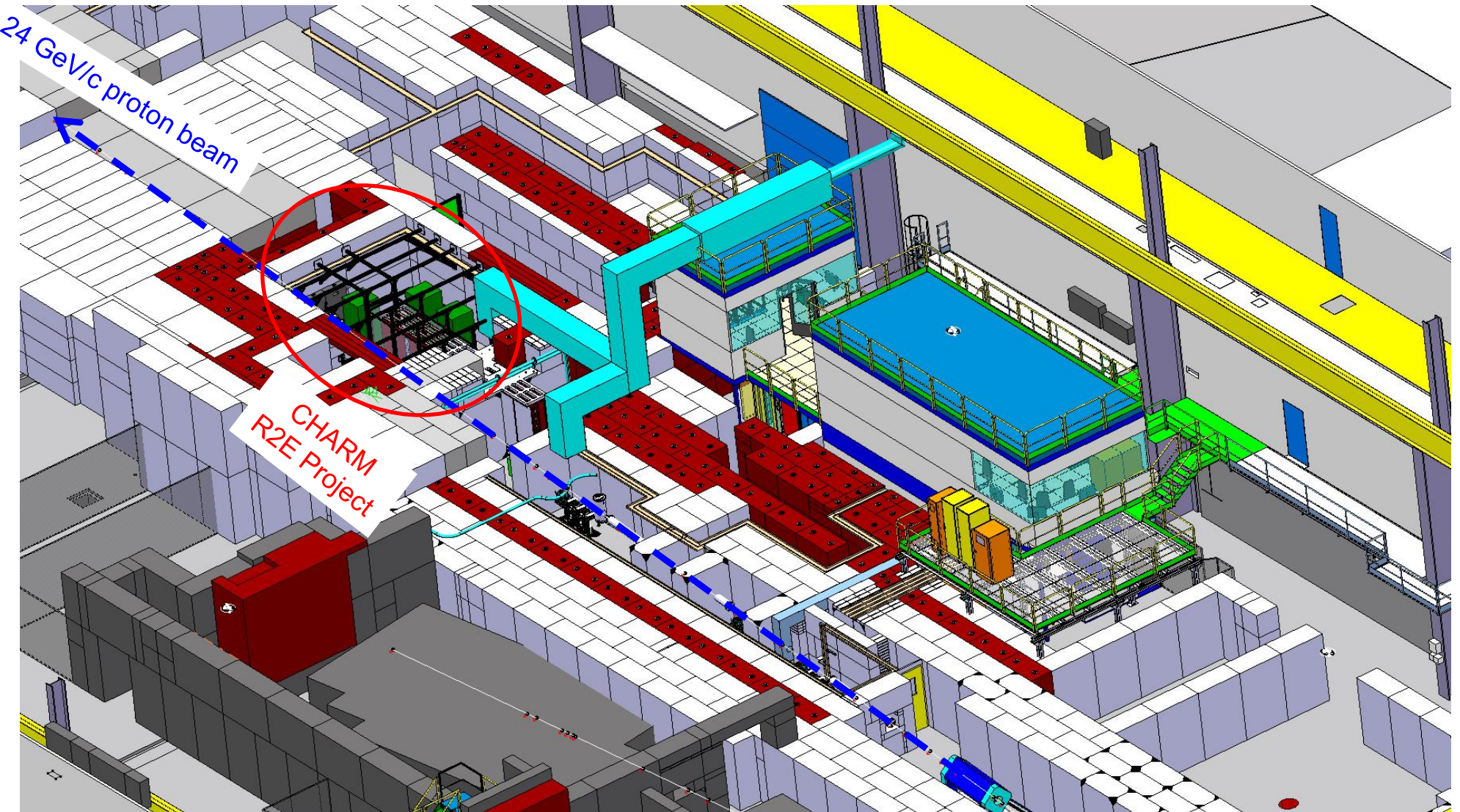
East Area Facilities



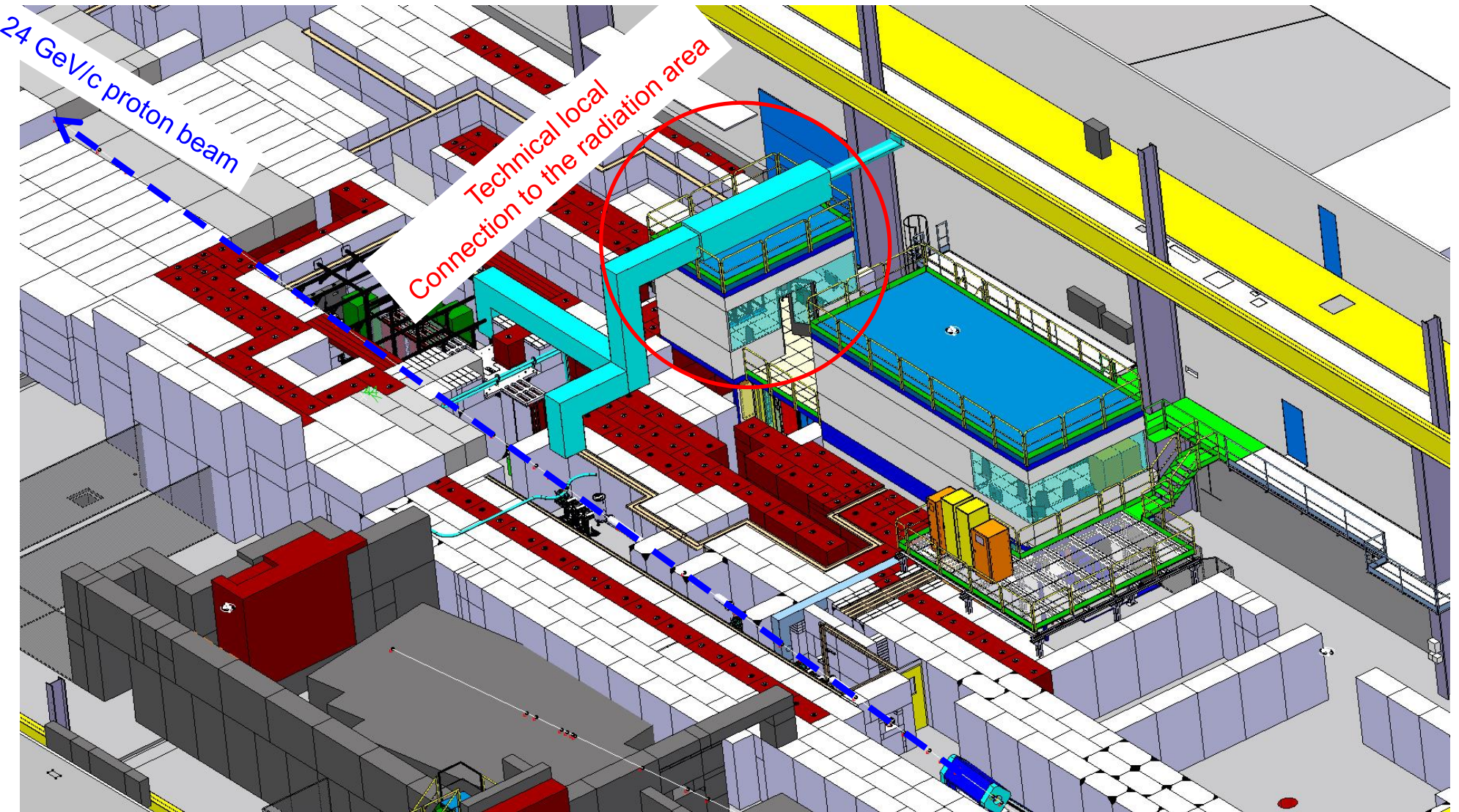
East Area Facilities



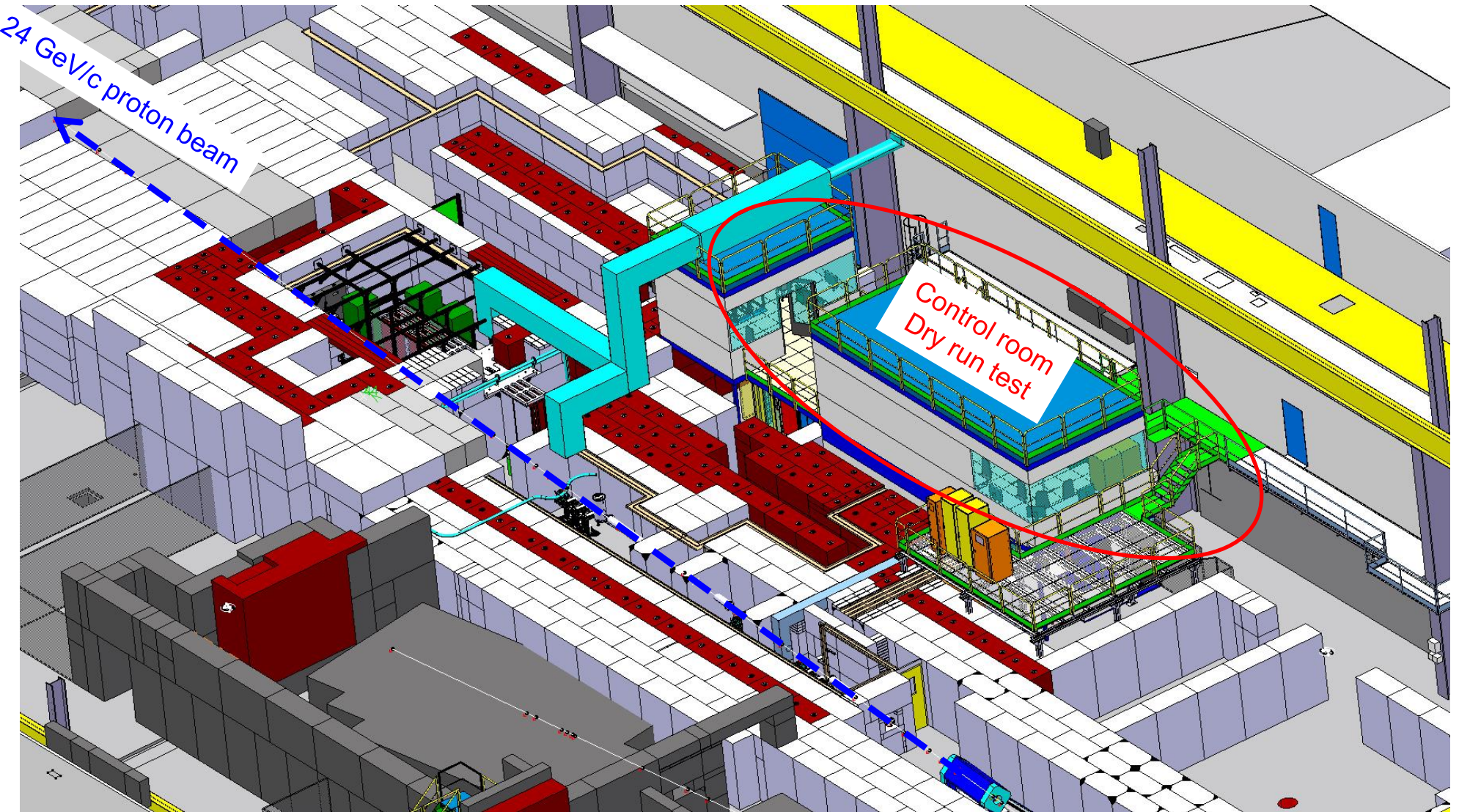
East Area Facilities



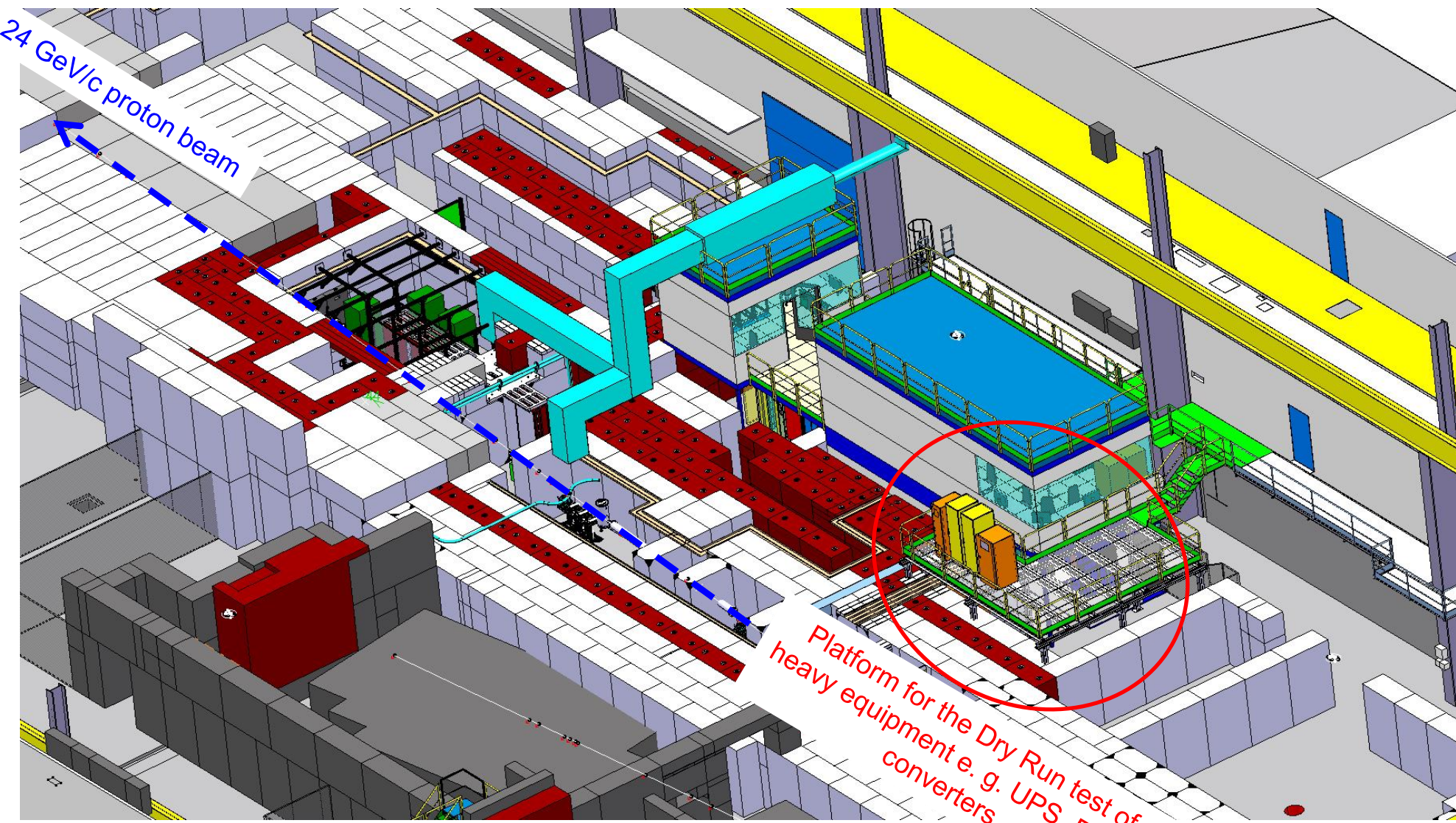
East Area Facilities



East Area Facilities

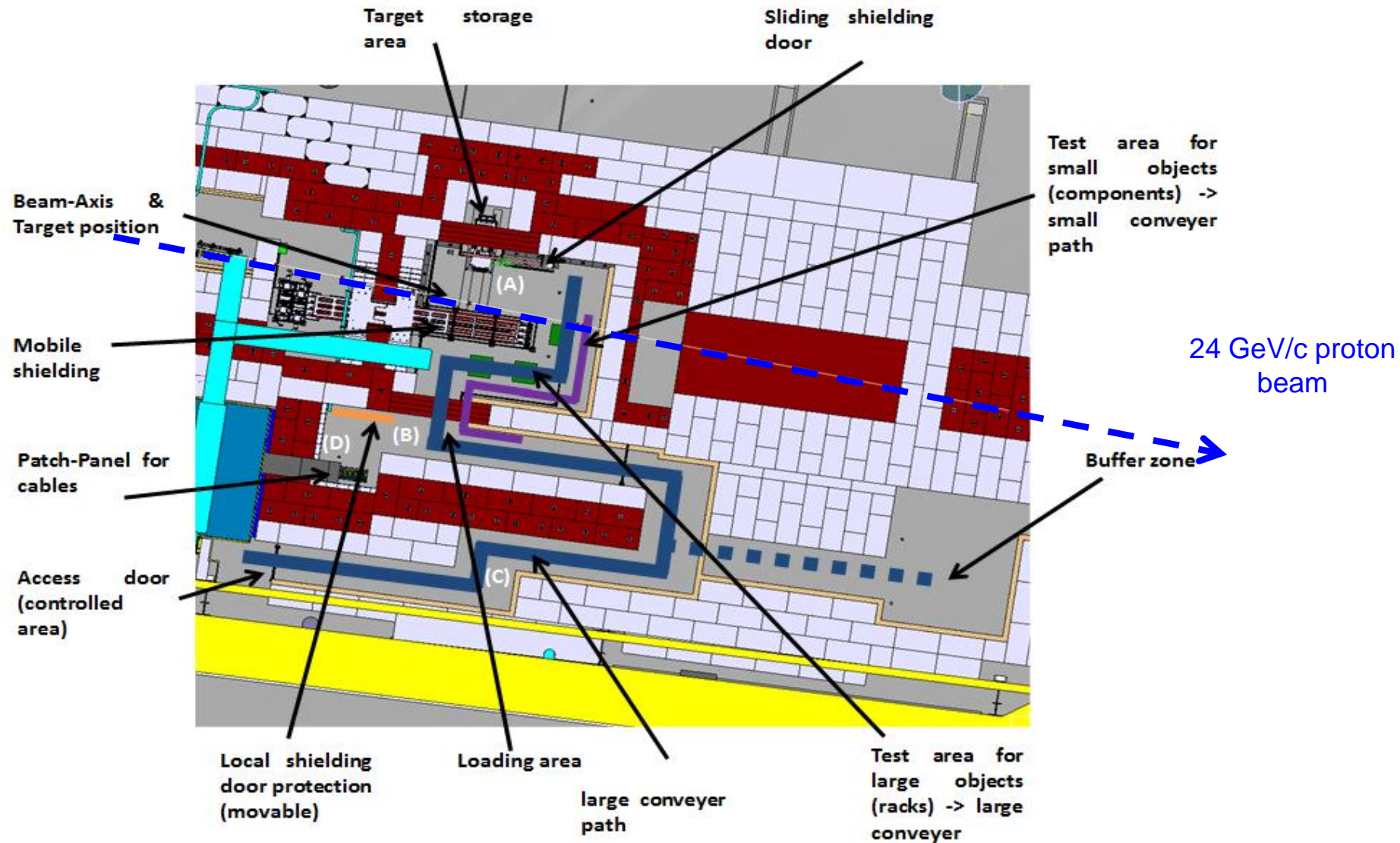


East Area Facilities

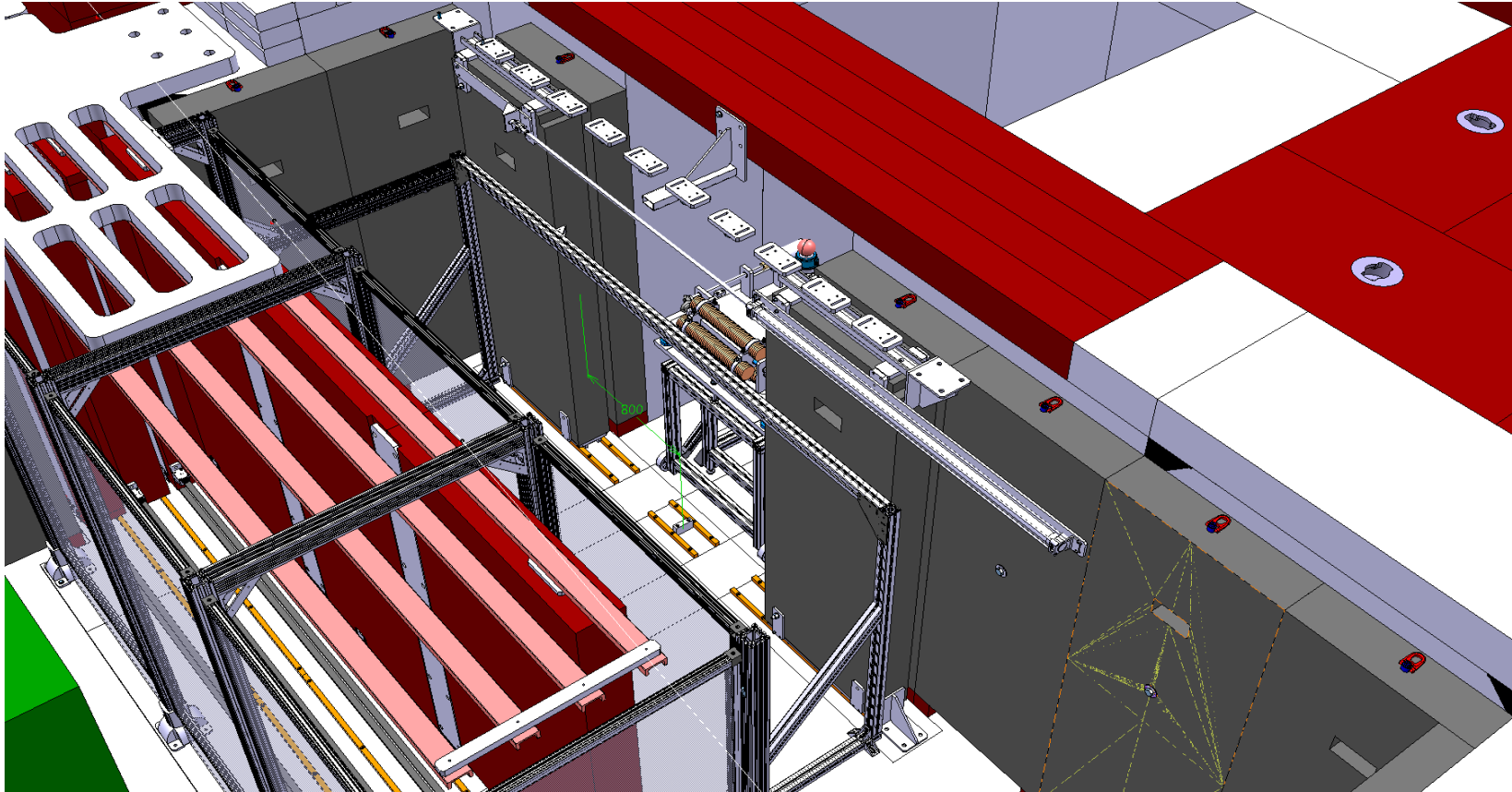


Platform for the Dry Run test of heavy equipment e. g. UPS, Power converters

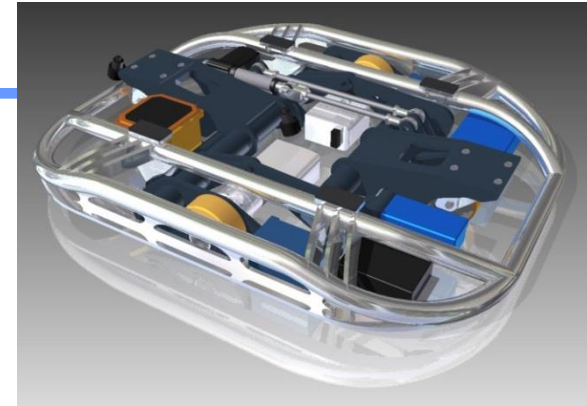
CHARM



Target storage area



Conveyer news



➤ Visit to SEAQX:

- Very small but reactive company
- Technically very competent
- Technical solution feasible, design study on-going

➤ Purchase:

- SEAQX serious candidate (technically), however very small company (discussions with EN/HE on-going)
- EN/HE contacted also other companies in parallel (no news for the moment)

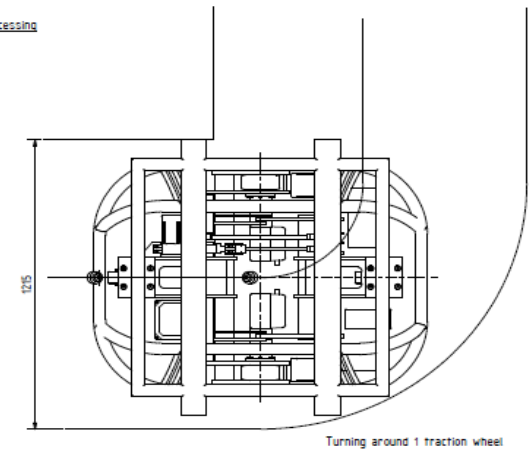
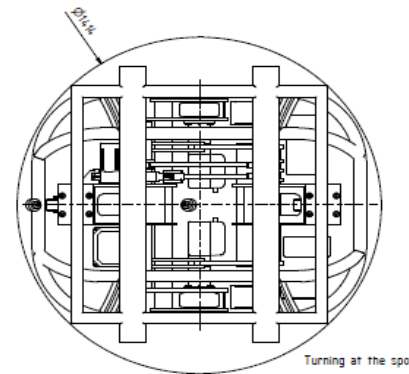
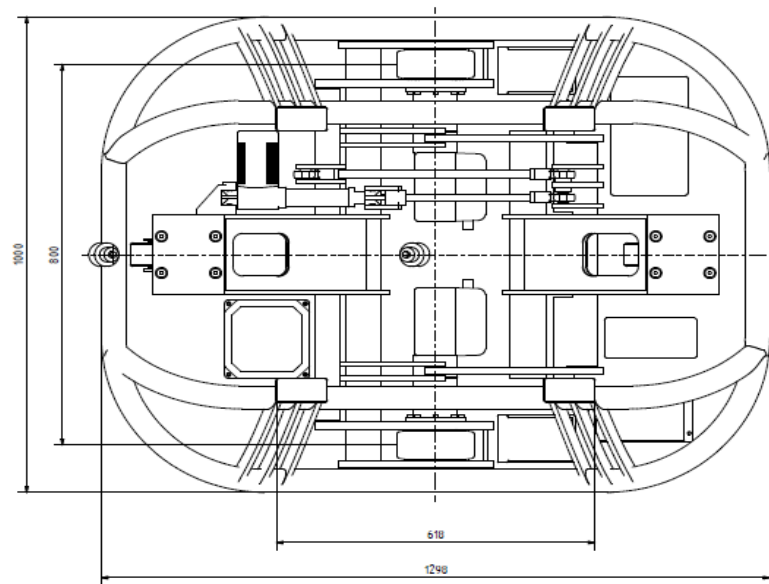
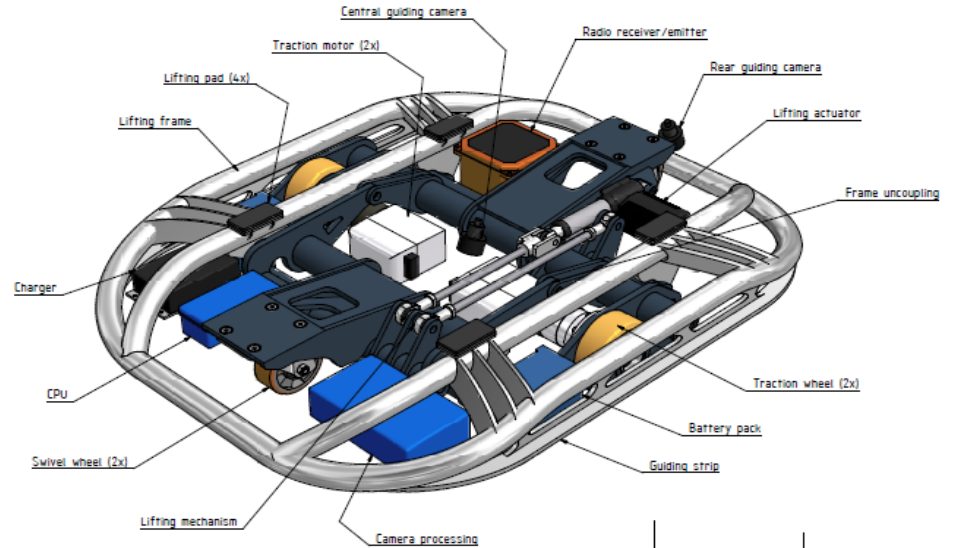
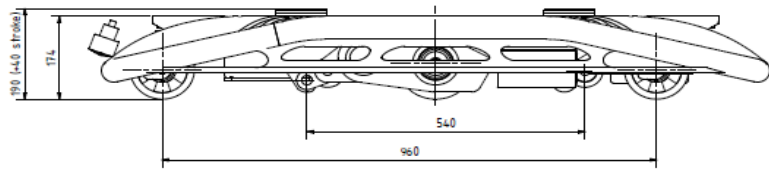
➤ Design iteration:

- First iteration looks promising (see [video](#))

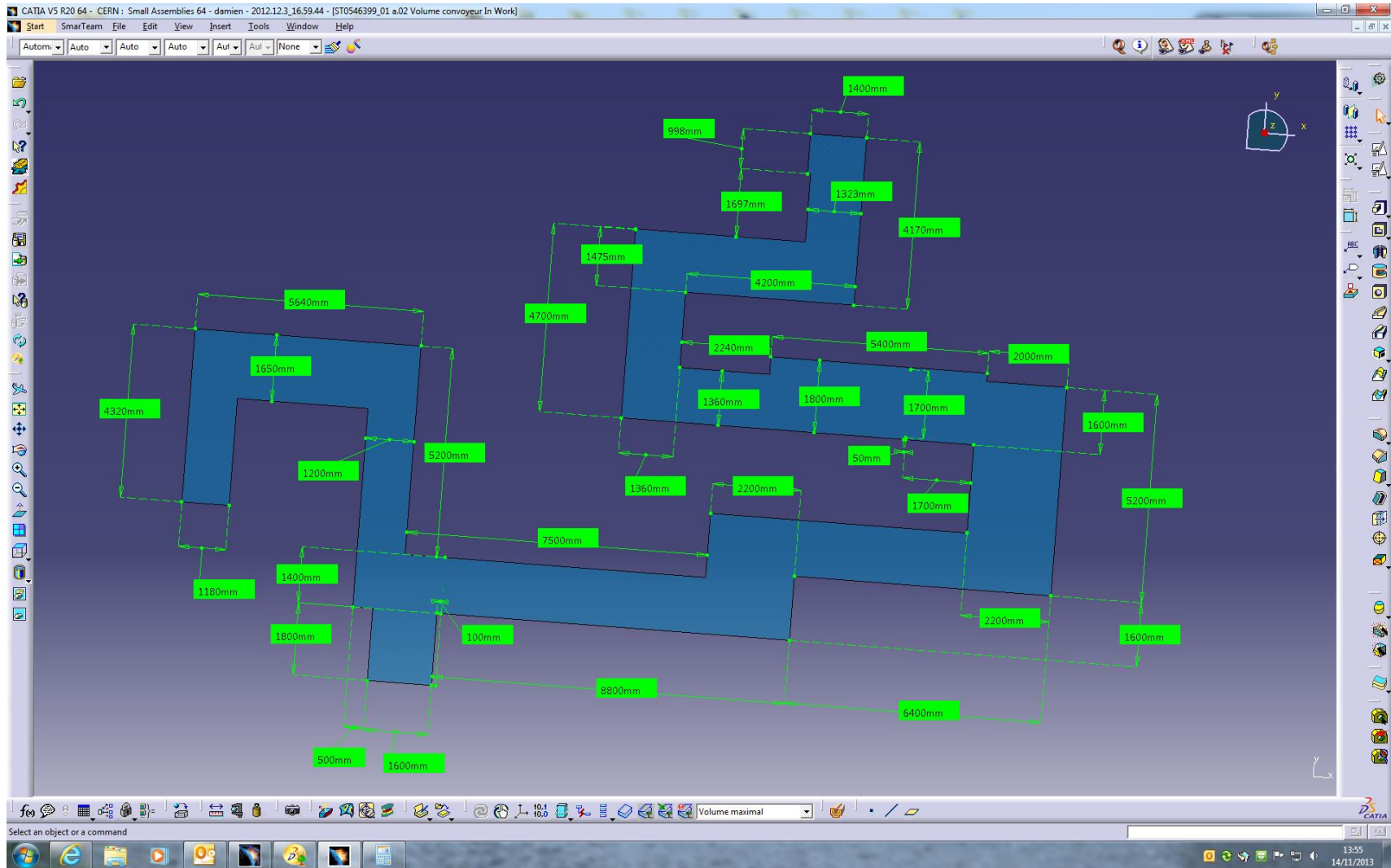
➤ Technical specifications:

- Document under approval process (deadline today) EN/STI, EN/HE and EN/MEF
- Once implemented → final iteration for the price enquiry
- Departmental request accepted

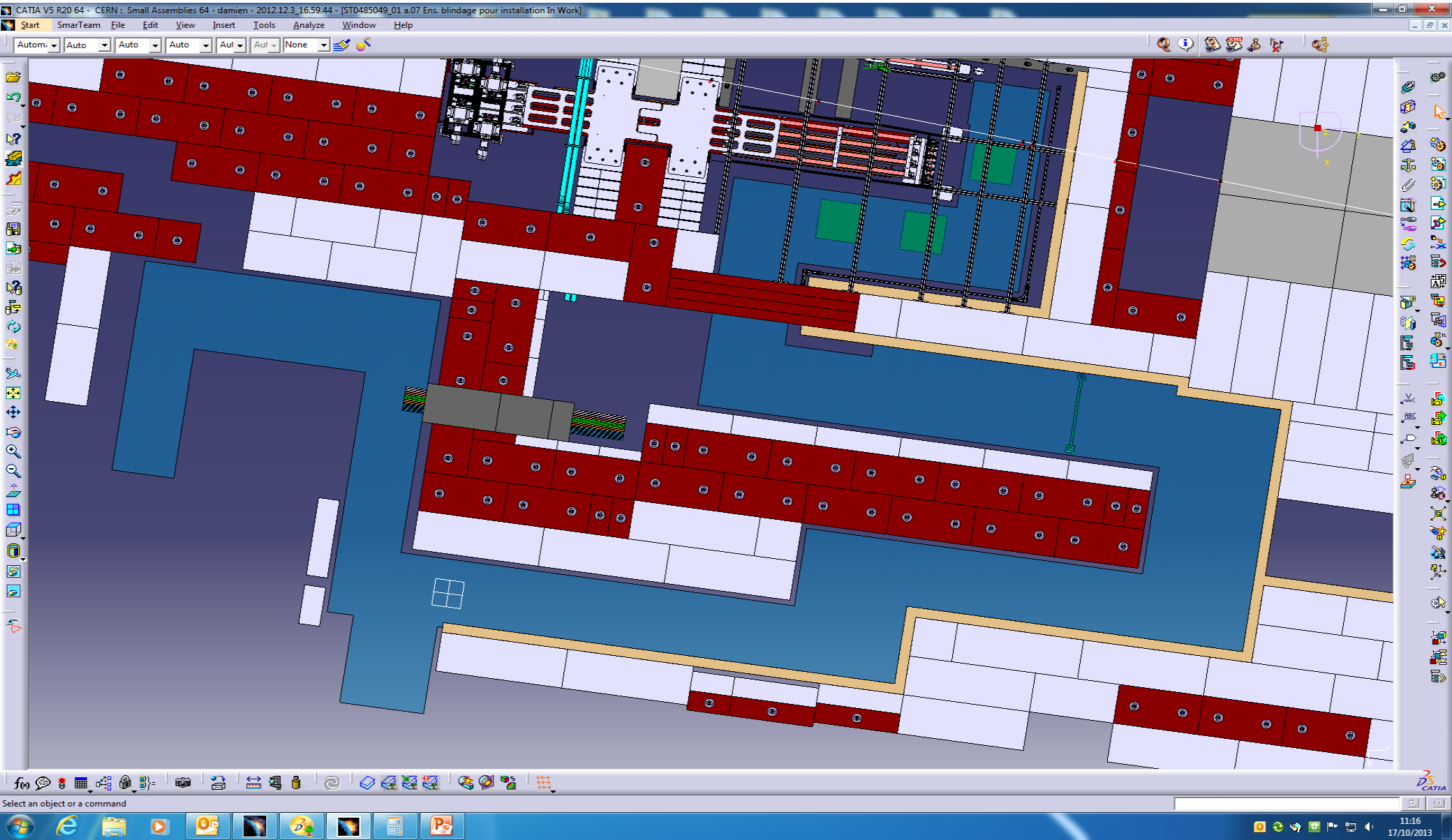
Conveyer News



Conveyer path



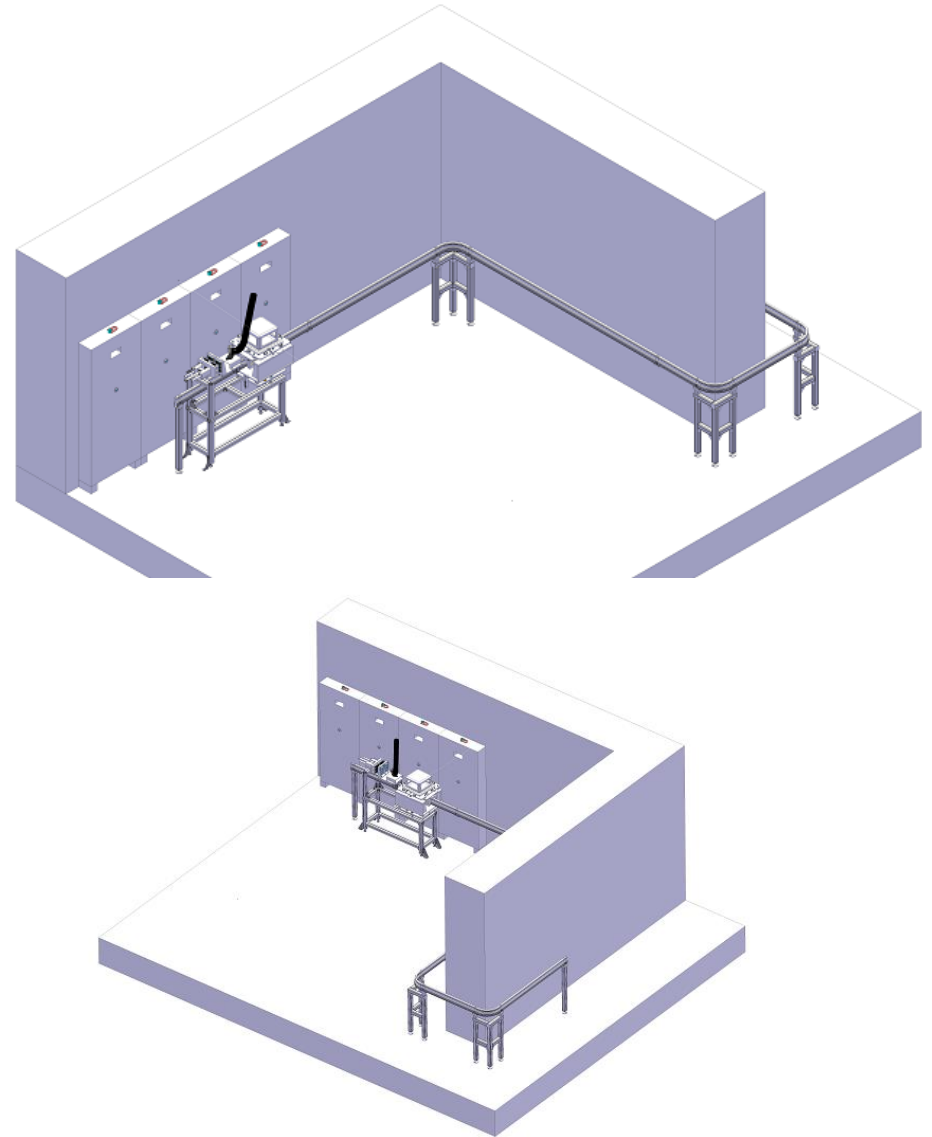
Conveyer path



Montrac conveyer

○ Montrac Rail:

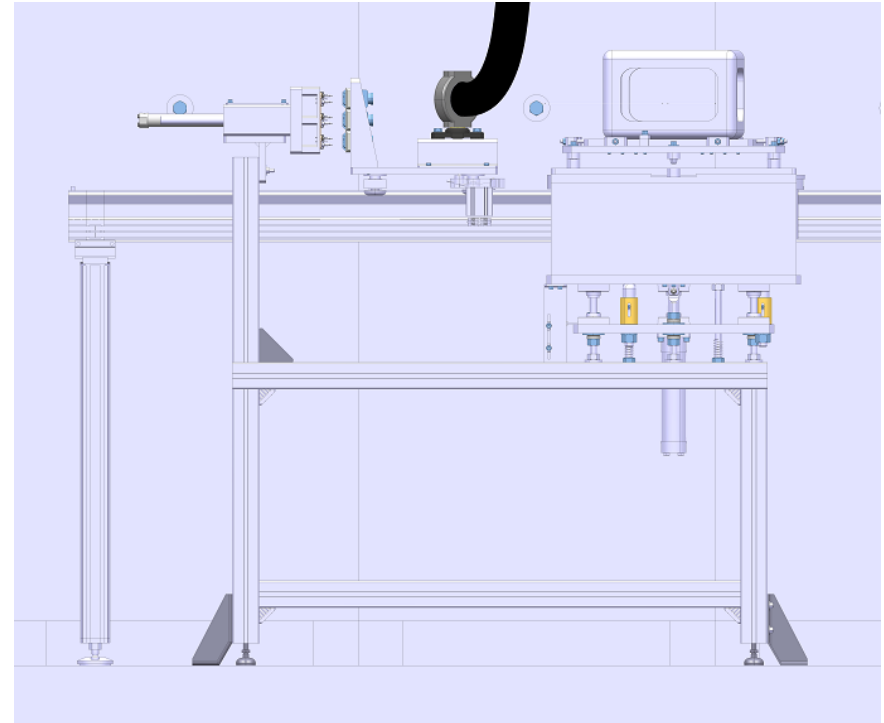
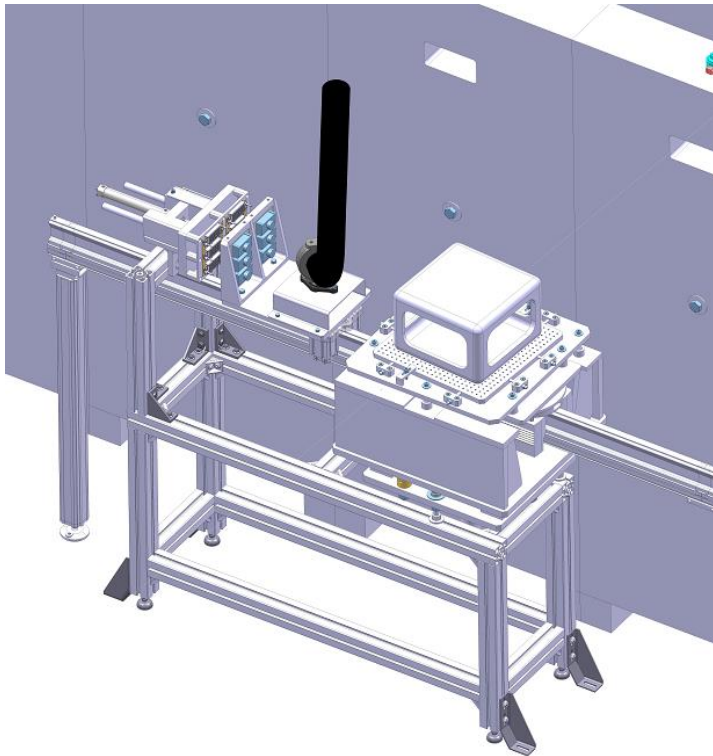
- Possibility to use a software + screen to control it
 - Location of the control rack to be discussed
 - Can be installed inside a 19" Rack



Montrac conveyer

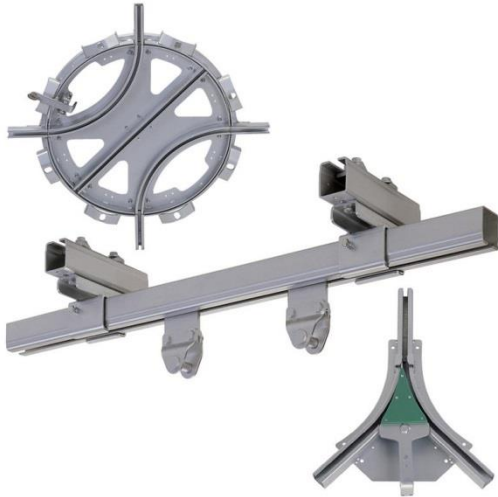
➤ Implementation

- Hypertack
- 6 NE48 (RadTOL)

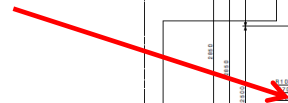


Rail system

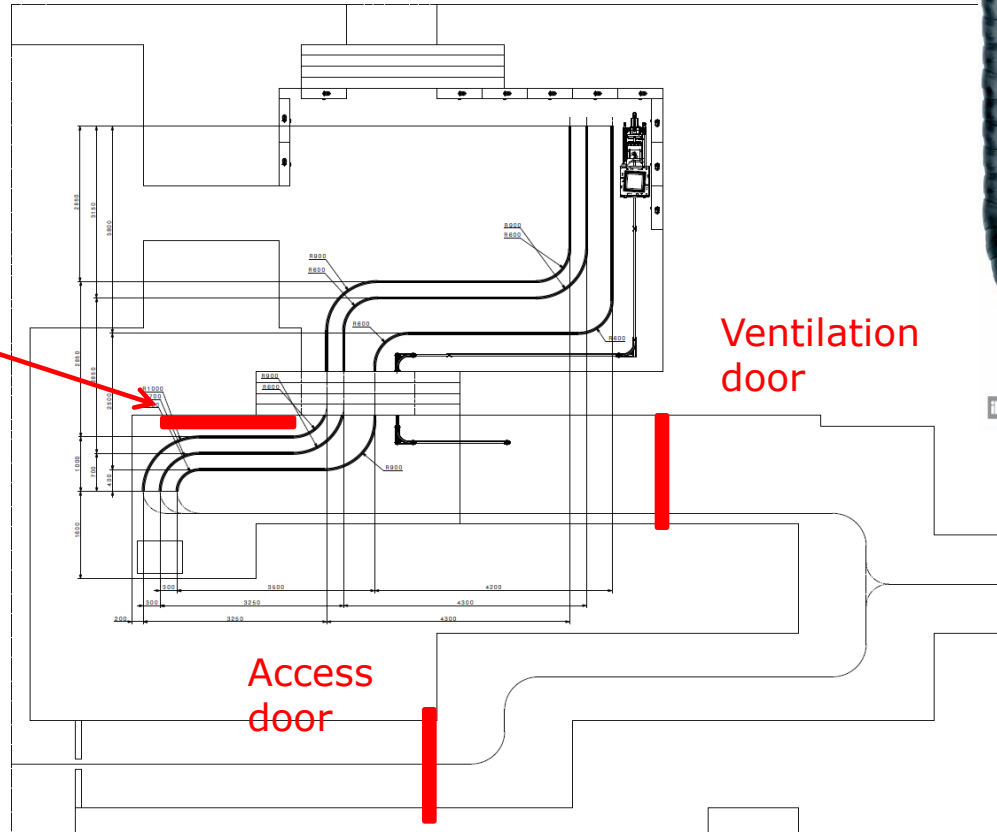
➤ Rail system for cables:



Shielding Door



Ventilation door



➤ Contact with Conductix:

- Propose a complete solution for the system
- To be tested in the mock-up
- Other manufacturers contacted in parallel

Mock-up

- **The Mock-up is being updated**

- Maximum difference between layout and mock-up: **10 cm.**
- **Difference > 5 cm** will be indicated on the floor
- In addition, 'Beams' have been installed at a height of 3 m in order to install the cable holder chain and for future use (installation of the rails).



- Installation foreseen soon:

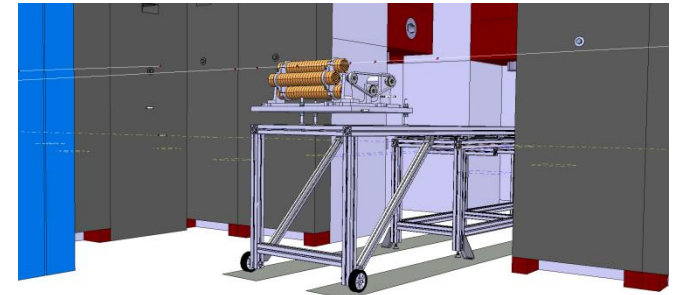
- **Montrac (system + control)**
- **The cable holder chain**
- **The rail system**
- **Installation of services (compressed air, etc ...)**

Thanks to
the team

Other Information

❖ Target:

- Three fixed installed target for varying beam intensity
 - ✓ Materials Aluminium (×2) and copper (×1) (allowing for intensity reduction of about 2.5 and 4)
 - ⇒ Second aluminium target shall include longitudinal holes to allow for the largest reduction (/4)
 - ⇒ 1 empty slot (e .g. direct beam sample tests)



❖ Particle energy spectra:

- Draft report in iteration (Ruben)

❖ Website:

- The website is being developed and will be updated along the time.
 - ⇒ <http://charm.web.cern.ch/CHARM/>

- ❖ After several iterations with the users, the cables list is now frozen (will be available soon on the website)