



# LHCb Upgrade Electronics

---

Meetings in 2015 (Thursday, 2pm, 13-2-005):

12<sup>th</sup> Feb

9<sup>th</sup> Apr

18<sup>th</sup> June

13<sup>th</sup> Aug

8<sup>th</sup> Oct

3<sup>rd</sup> December

<http://lhcb-elec.web.cern.ch/lhcb-elec/html/upgrade.htm>

Mailing list:

Go to [egroups.cern.ch](http://egroups.cern.ch), search for lhcb-upgrade-electronics



# Common components

---

Decision time for quantities of:

GBTXs

GBT-SCAs

VTTx (long procurement procedure => batch deliveries)

VTRx (long procurement procedure => batch deliveries)

DC-DC (long procurement procedure => batch deliveries)

EDMS documents for approval !!!!

PCIe40 (TELL40 + SOL40): feedback required on quantities



# Data format

---

VERY IMPORTANT FOR FE DESIGNS !!!!!

Requirements on bit ordering in GBT frame  
=> see Guillaume's talk

# Infrastructure

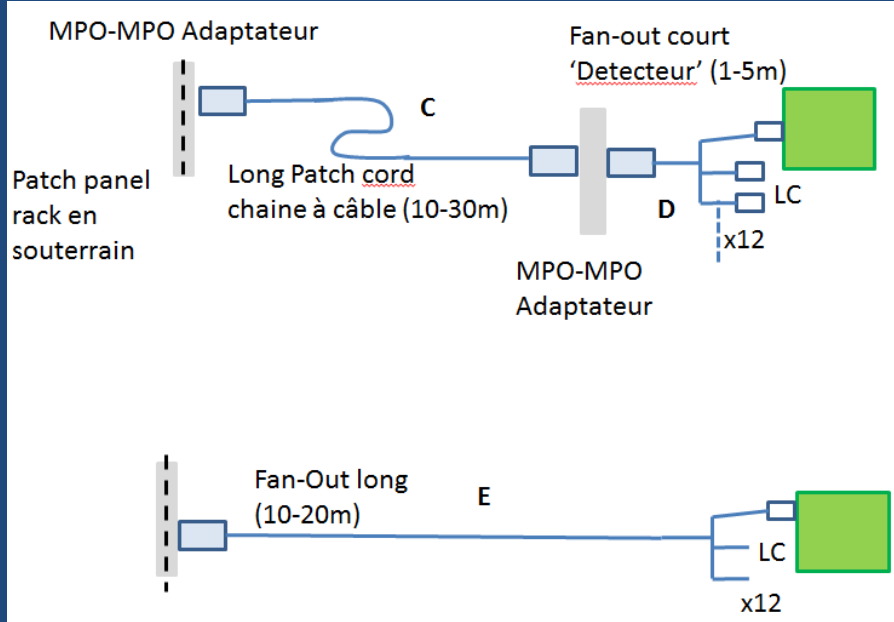
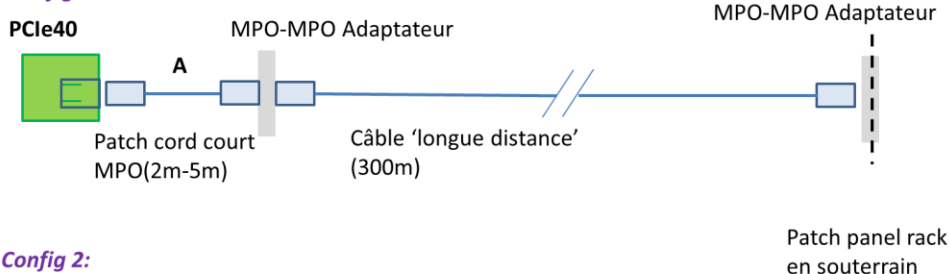
Document prepared by Heinrich covering all infrastructure requirements (cabling, cooling etc)

Urgent issues:

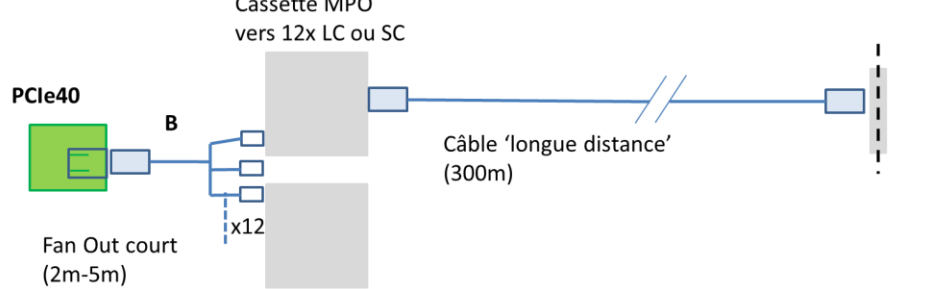
Patch fibres at detectors & PCIe40s (see Laurent talk, 9<sup>th</sup> Oct)

Important parameters for fibre tests at pit

Config 1:



Config 2: (repartition de charges)





# Power supply sharing - summary

---

<https://indico.cern.ch/event/354046/>

See summary slides for proposal for sharing power supplies  
IT + TT + OT + PS/SPD => TT + SciFi + Calo