

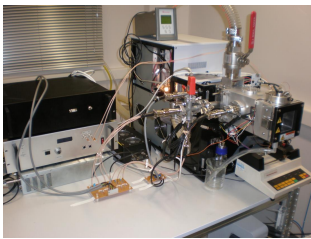
High Tech Start-up  
in Greece !

Mass Spectrometry &  
Ion Mobility Instrumentation

**Instrumentation  
R&D Services**



Specialized services to major  
global MS manufacturers, e.g  
Shimadzu, ThermoFisher, etc..



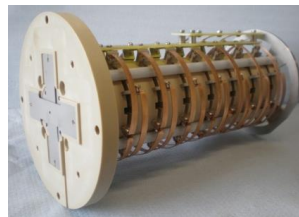
Shimadzu Product  
Development



Laser  
Diagnostics

**Intellectual Property**

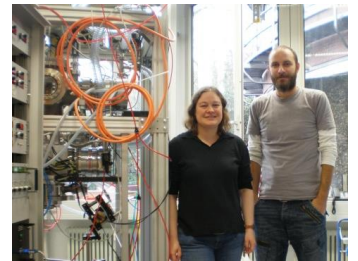
1. [WO2011148312\(A2\)](#) (13.07.2011)
2. [GB 1208843.1](#) (18.05.2012)
3. [GB 1208849.8](#) (18.05.2012)
4. [GB.1211186.0](#) (24.06.2012)
5. [GB.1306114.8](#) (04.04.2013)



Fasmatech Product  
Line

**Custom Engineering**

Duisburg  
University  
Prototype

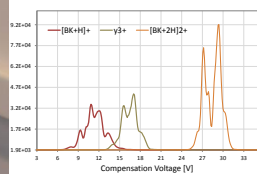
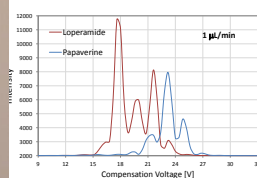
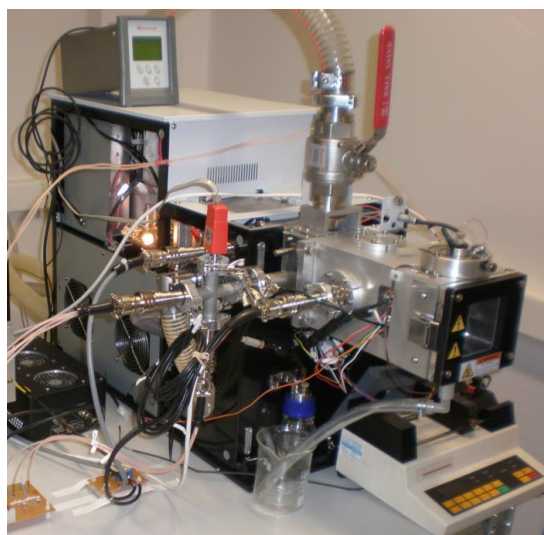


Fasmatech  
Prototype  
Mass Spec



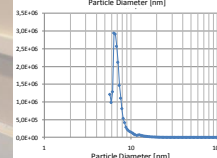
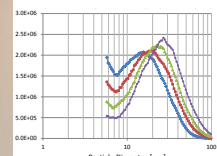
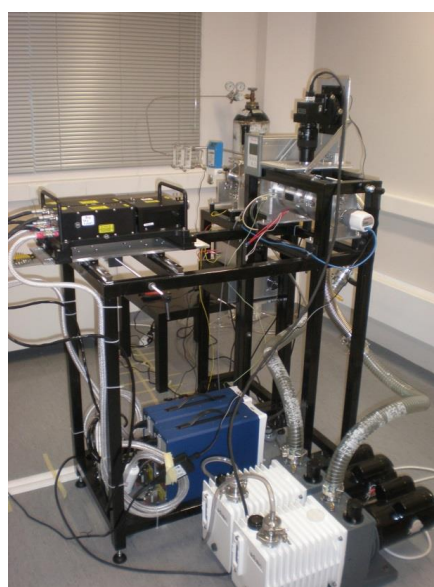
## Shimadzu R&D Services

### Low Pressure Ion Mobility Platform introduced to LCMS 2020

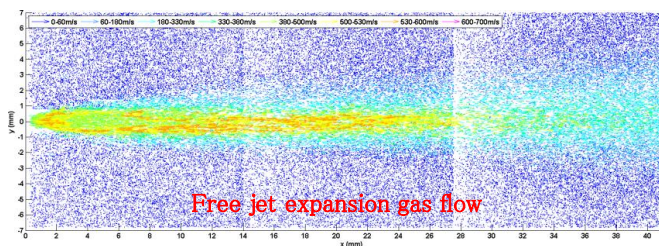
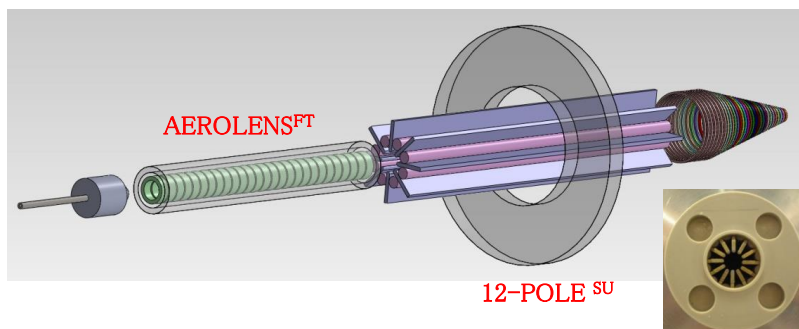


Ultra-fast separation  
of isomers and  
conformers

### Gas Flow Visualization Tools Particle Tracking Velocimetry (PTV)

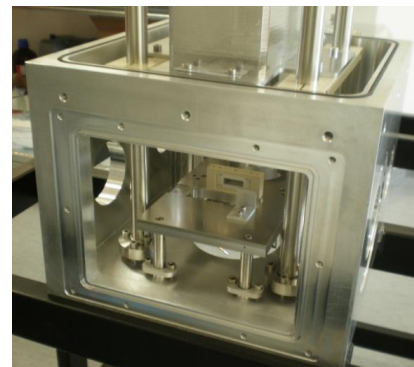
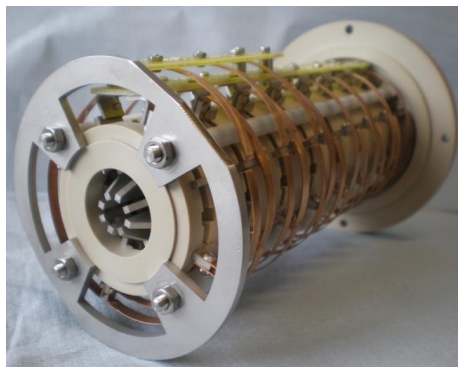
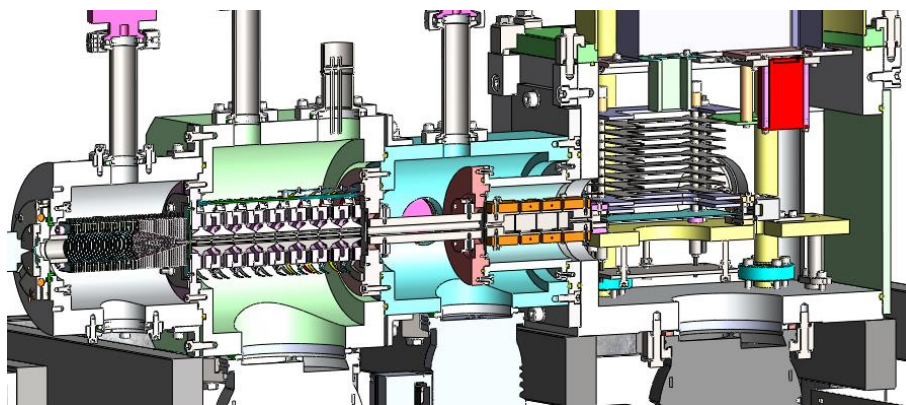
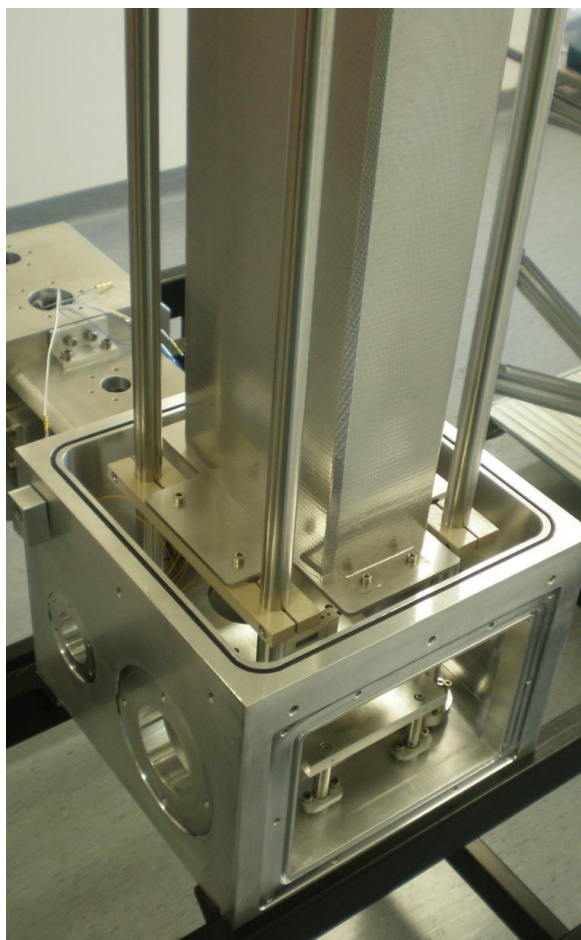


Unique Tracer  
Technology : Spark  
Discharge  
Nanoparticle  
Generator  
Quantum Dots &  
Fluorescence  
Molecules

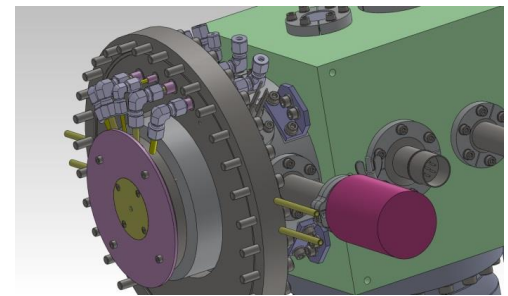
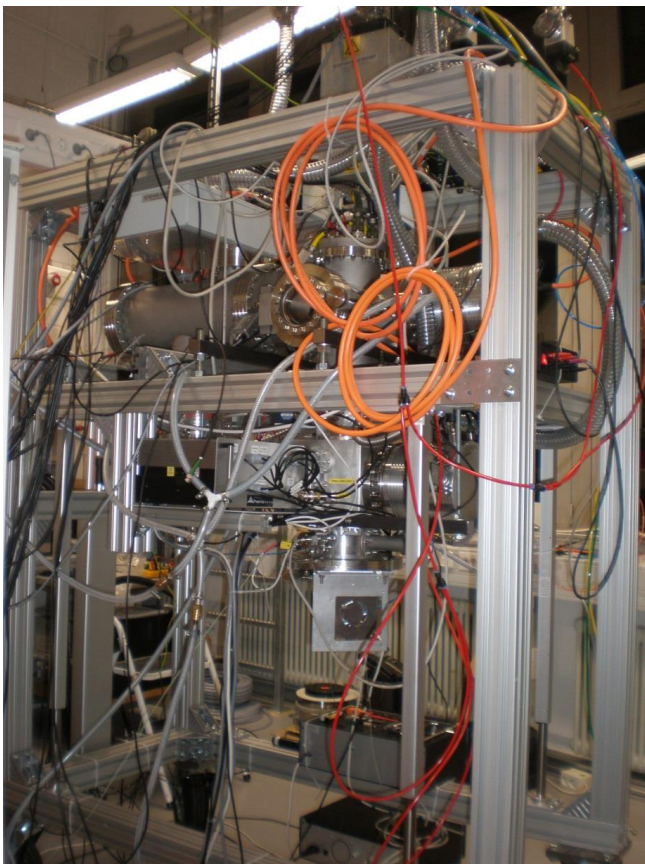


Free jet expansion gas flow

## Atmospheric Pressure Ionization ortho-TOF Mass Spec

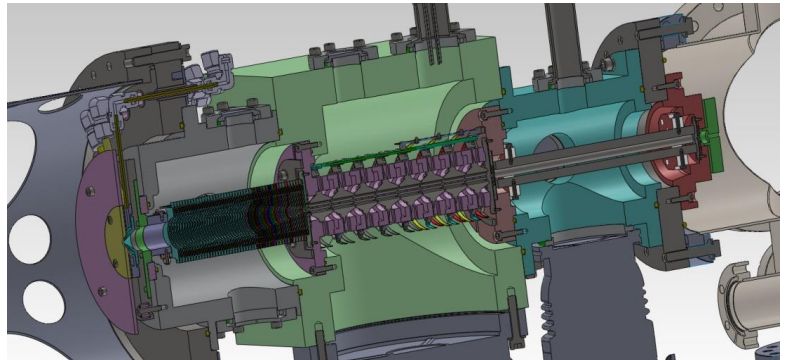


## Customized MS Instrumentation Development

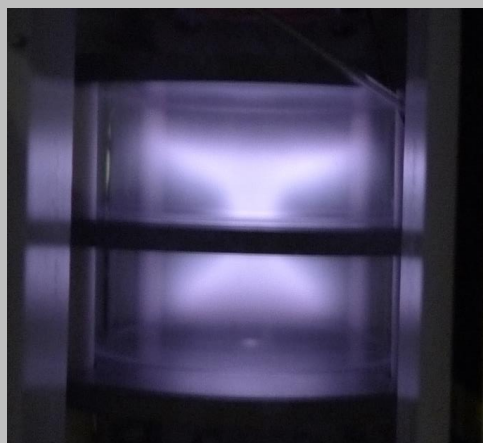
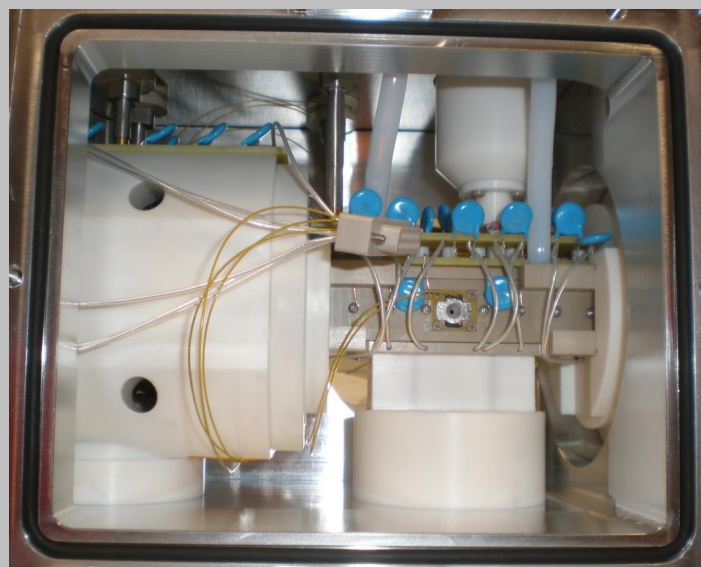


Novel API Interface  
for Flame Chemistry Studies

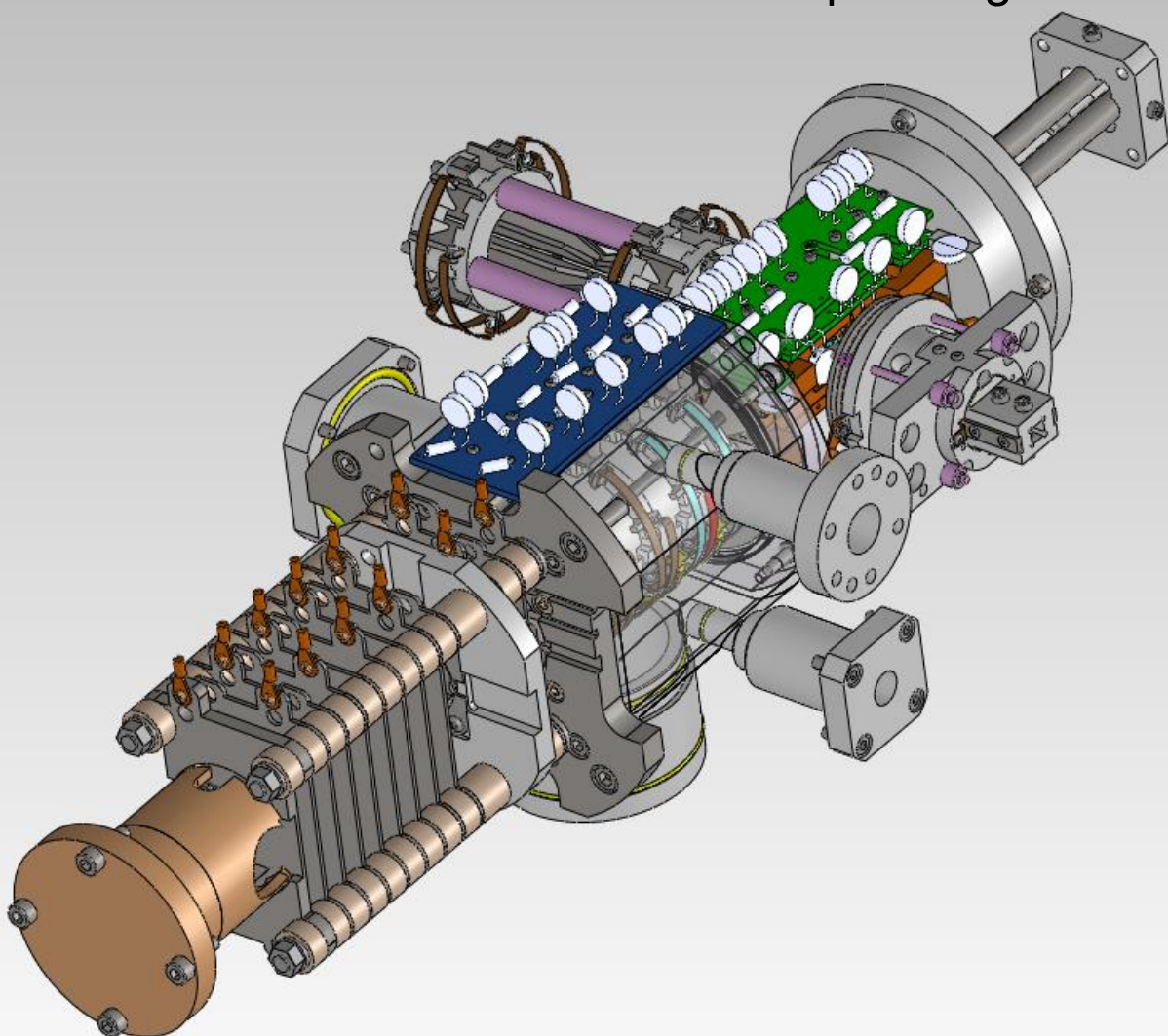
University of Duisburg, DE



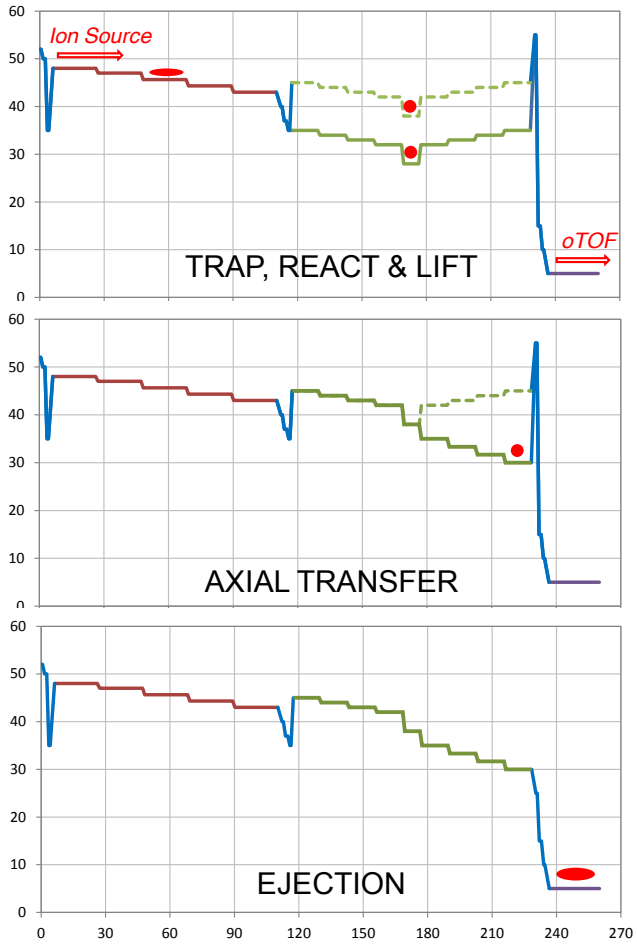
## Instrumentation – Tandem Ion Trap Configuration



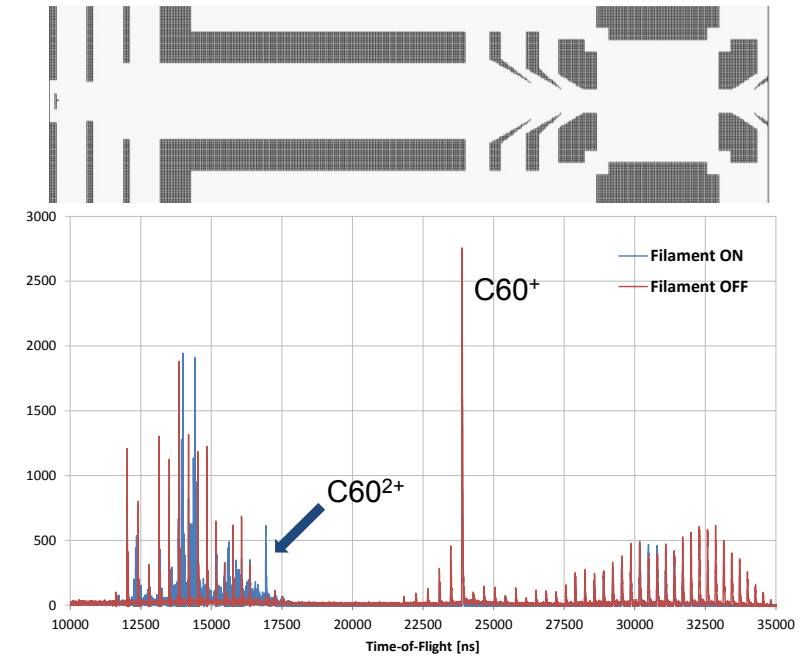
## Instrumentation – Tandem Ion Trap Configuration



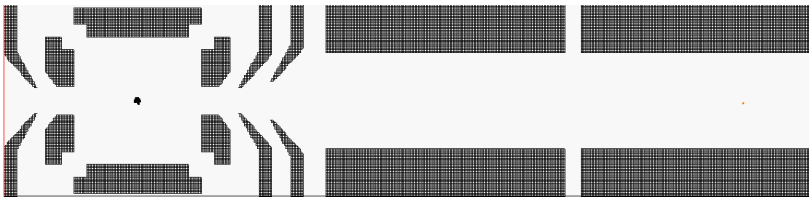
# Square Waveform RF Ion Trap for Ion-Ion Interactions



## Electron beam interactions with trapped ions



## Ion beam interactions with trapped ions



## Fasmatech R&D Team Wired !

### Core Competences

- Extensive experience in Mass Spec & Ion Mobility R&D
- Design & Manufacturing Capabilities
- In-house Electronics & s/w Engineering
- Aeronautics & Mechanical Engineering
- Advanced Ion Optics Simulation Tools & Gas Dynamics Computations
- Extensive IP portfolio & Deep Knowledge of IP Landscape

