

OSG All Hands Meeting

Site Report: SPRACE

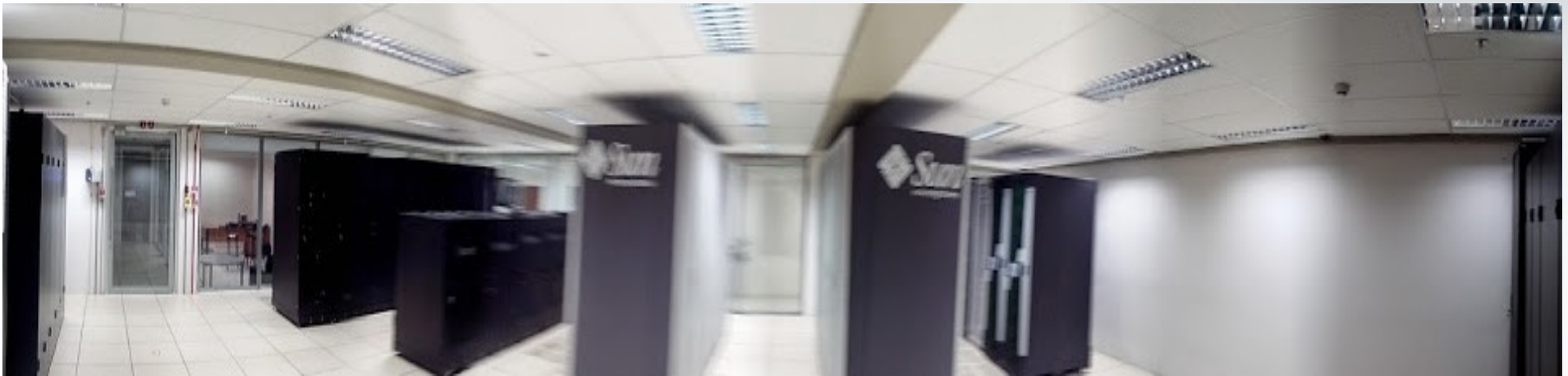
Jadir Silva, Marcio Costa



The facilities

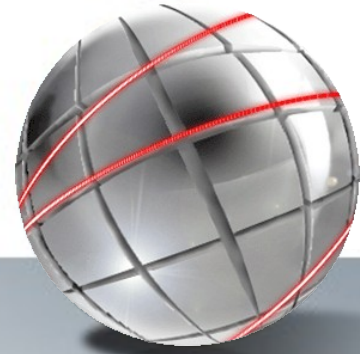


The datacenter was well designed and it is ready for future expansion with minor changes.

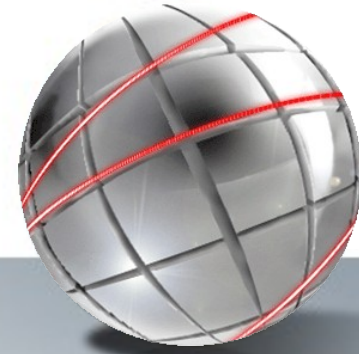


The facilities

- The datacenter still have available space for more racks;
- Redundant Cooling system with capacity for future expansion;
- Fault tolerant electrical system with two UPS and power generator;
- A third UPS will be deployed by the end of 2014;
- A electrical upgrade is on the way to provide more power outlets.

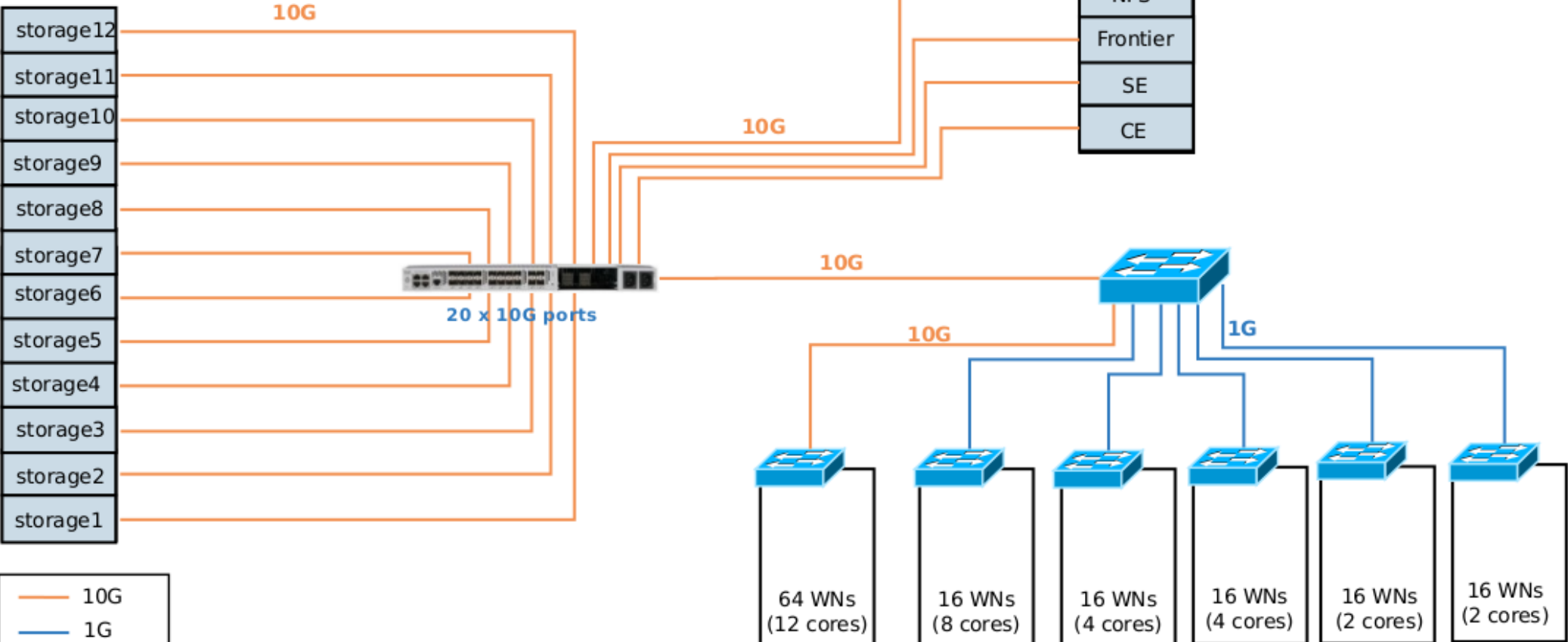


The facilities

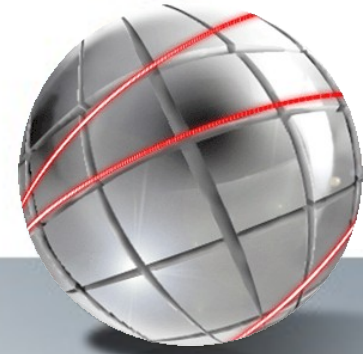


SPRACE: LAN

STORAGES



Future plans



IPv6

- We already had an IPv6 block reserved, but no address in use so far.
- If necessary we can activate a “double stack” on servers at any time, although we don't know how this can impact the grid services.

100Gb

- There is an early proposal to upgrade the international link SAO PAULO ↔ MIAME to 100Gb. We will see how this evolve.