



EN Engineering Department

ODU Crab Cavity Stress Analysis

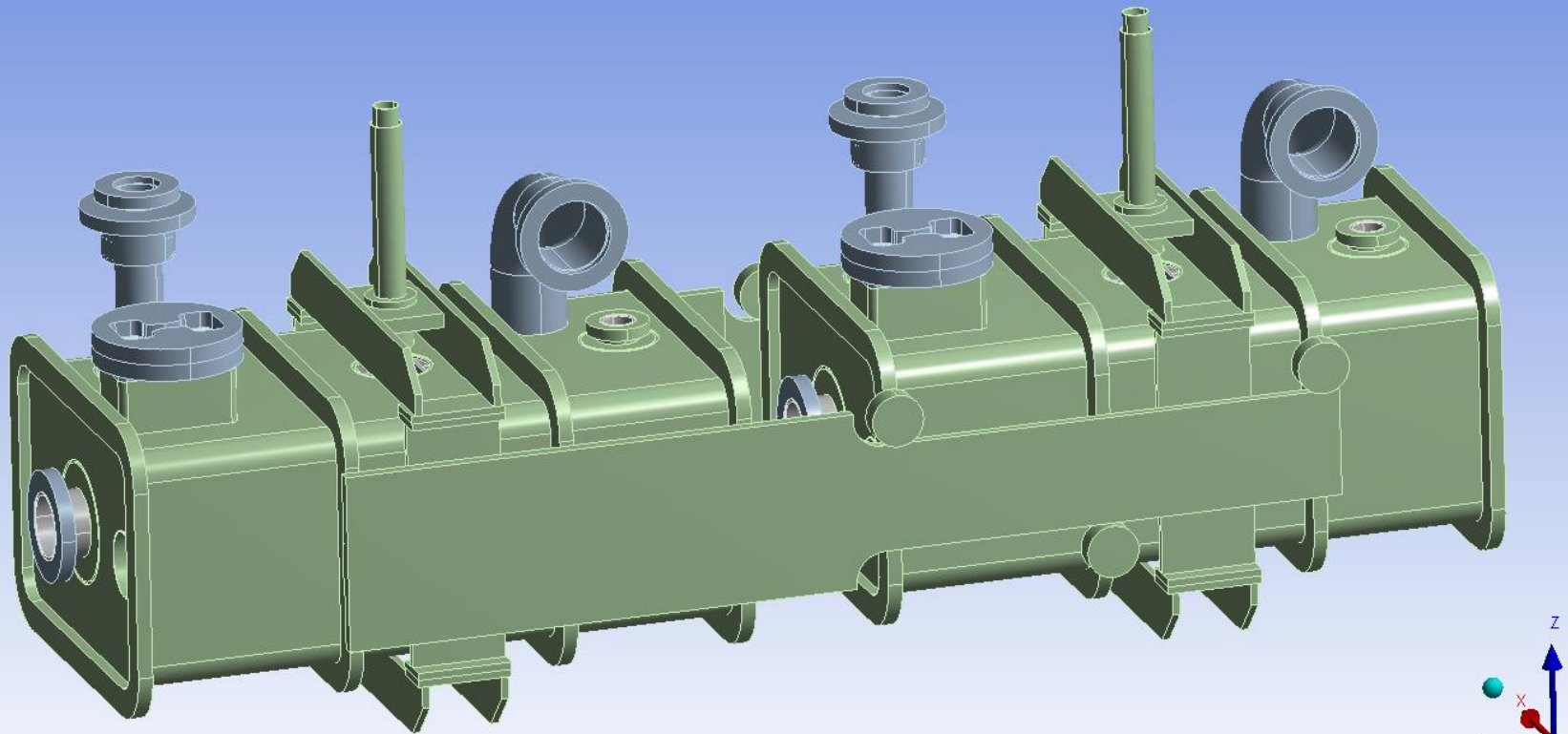
March 9th 2014

Norbert Kuder

Geometry

24/03/2014 09:11

- Niobium
- Stainless Steel
- Titanium

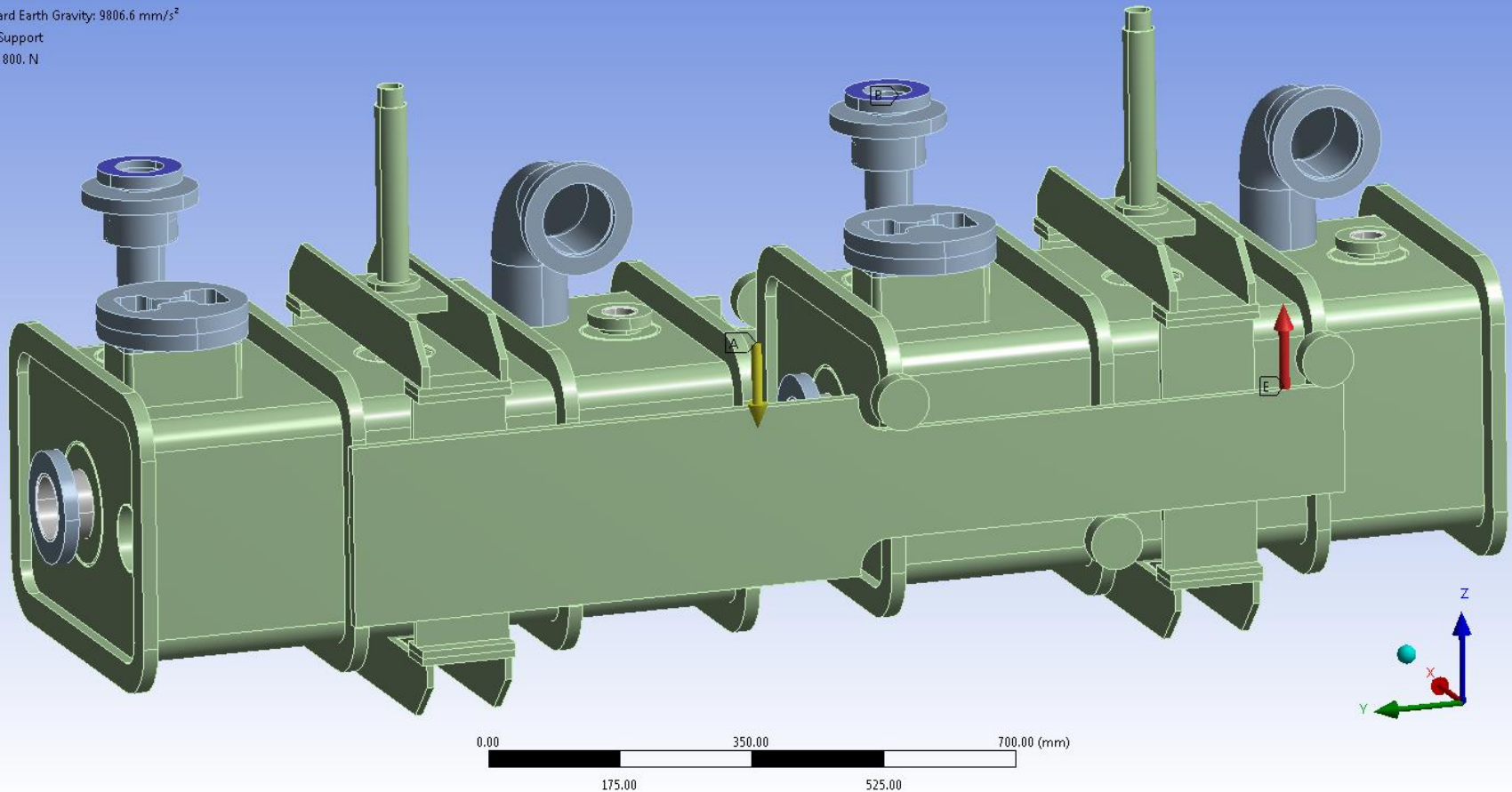


C: Crab Cavity with Load

Static Structural
Time: 1 s
24/03/2014 09:14

ANSYS
R15.0

- A Standard Earth Gravity: 9806.6 mm/s²
- B Fixed Support
- E Force: 800. N



C: Crab Cavity with Load
Total Deformation
Type: Total Deformation
Unit: mm
Time: 1
24/03/2014 09:16

ANSYS
R15.0

