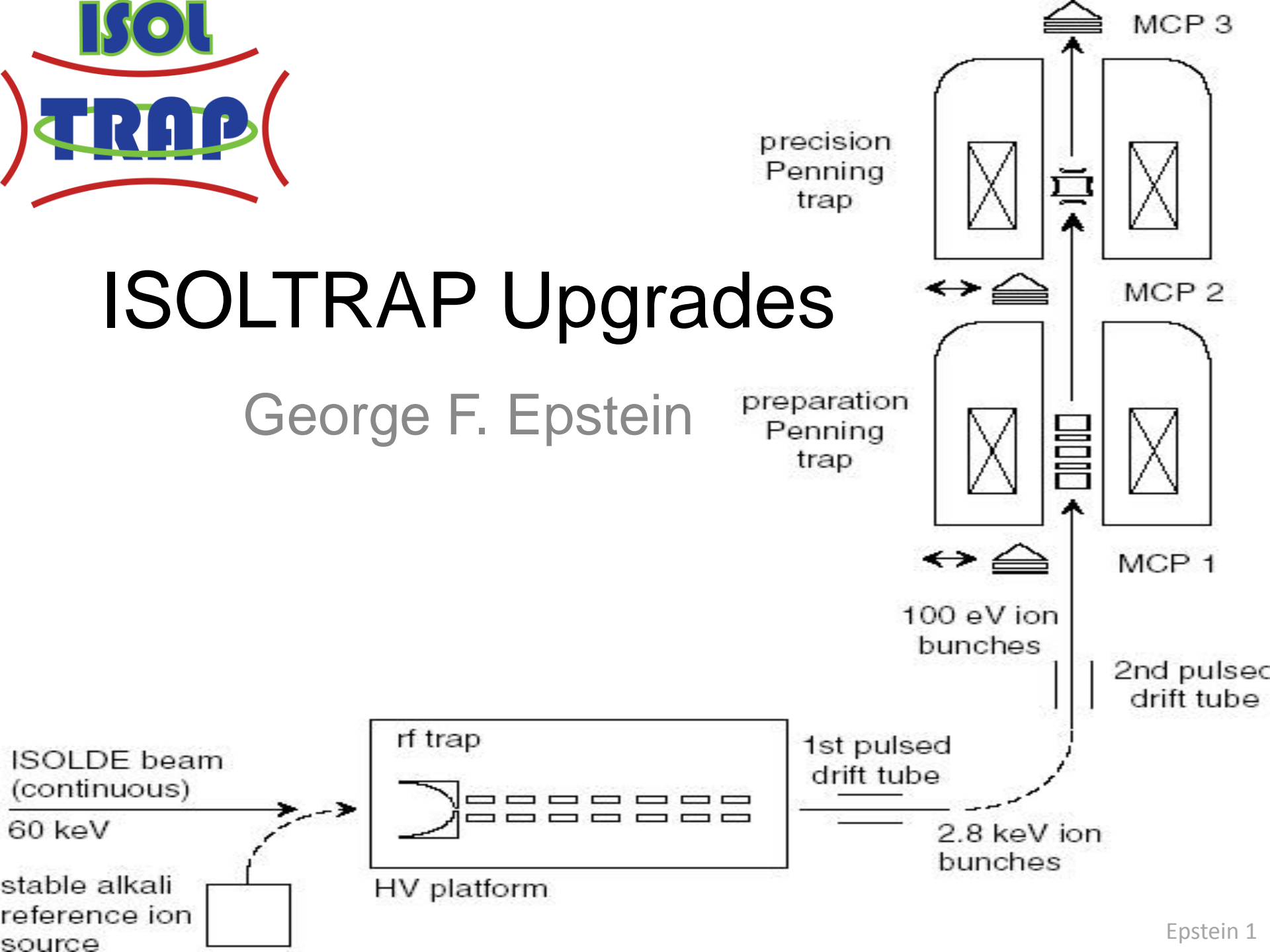




ISOLTRAP Upgrades

George F. Epstein



The ISOLTRAP Team



Vladimir
Manea

Romania

Université de
Paris-Sud XI,
Orsay



Dmitry Kisler

Russia

Max-Planck-
Institut Für
Kernphysik

Frank
Wienholtz

Germany

Ernst-Moritz-
Arndt
Universität



Dinko
Atanasov

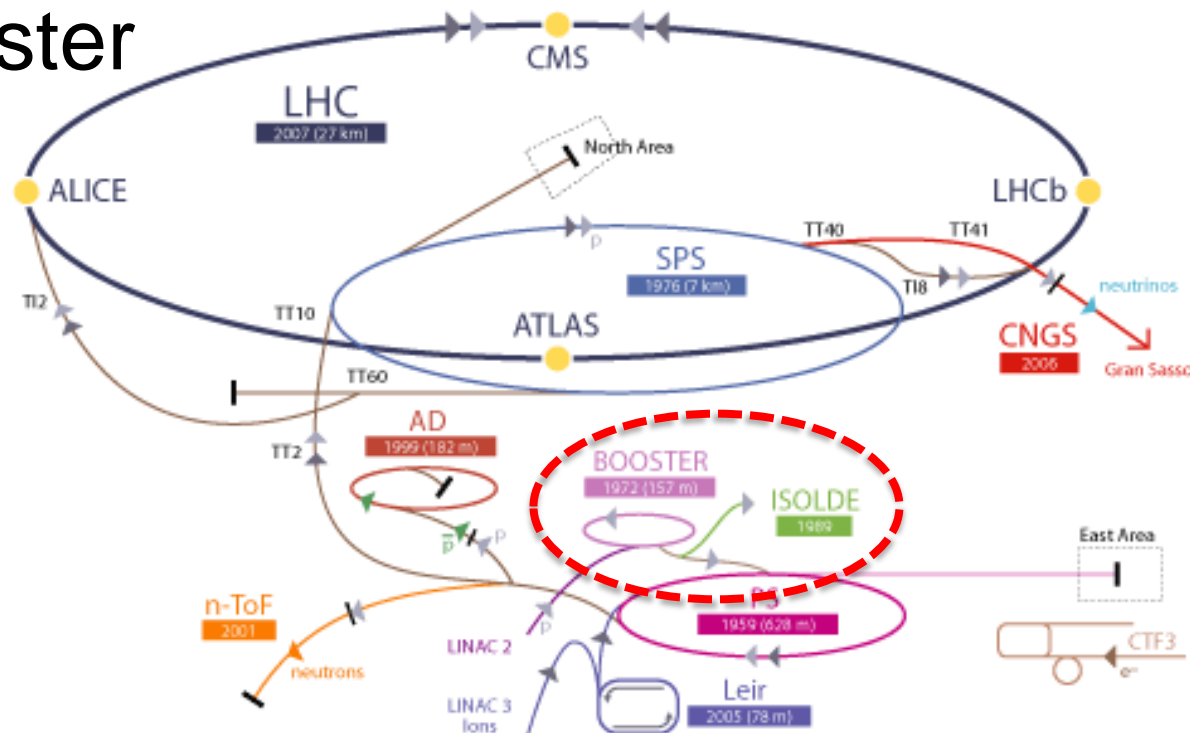
Bulgaria

Max-Planck-
Institut Für
Kernphysik



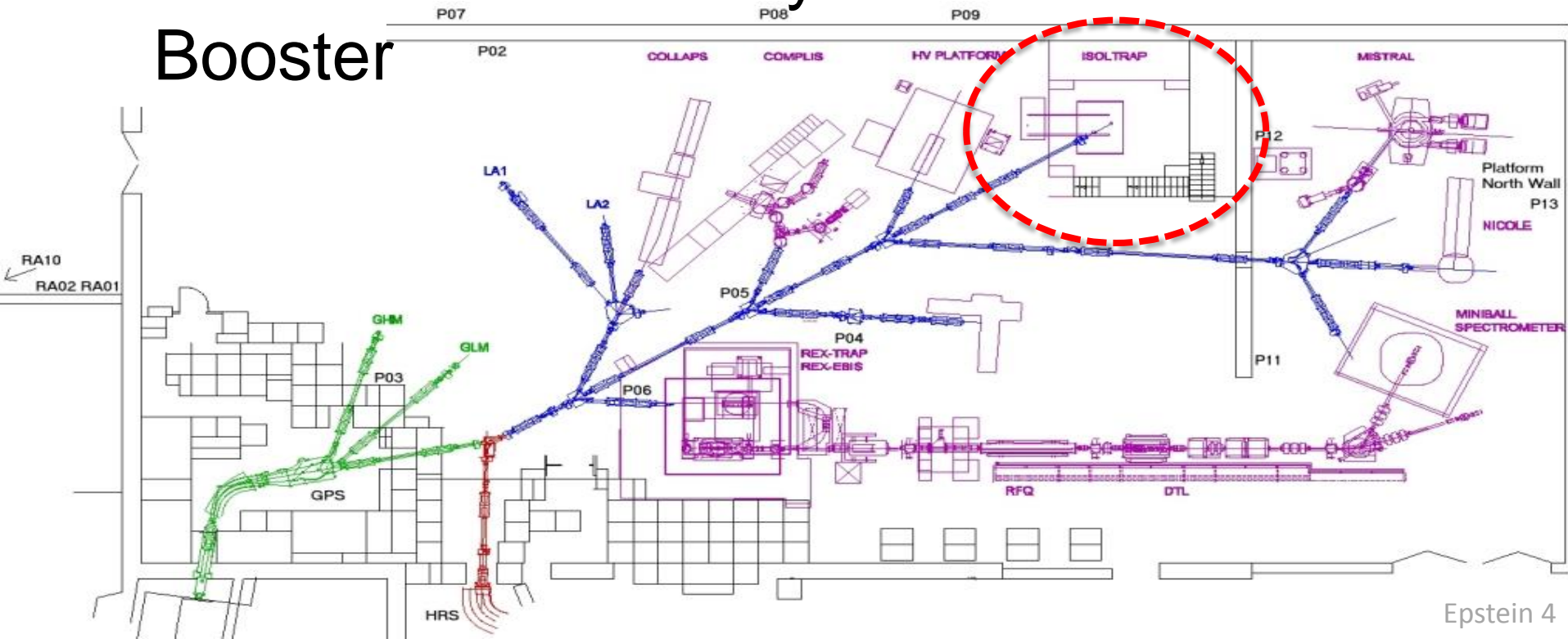
What is ISOLTRAP?

- First Penning Trap mass spectrometer of its kind
- Beam from Proton Synchrotron Booster



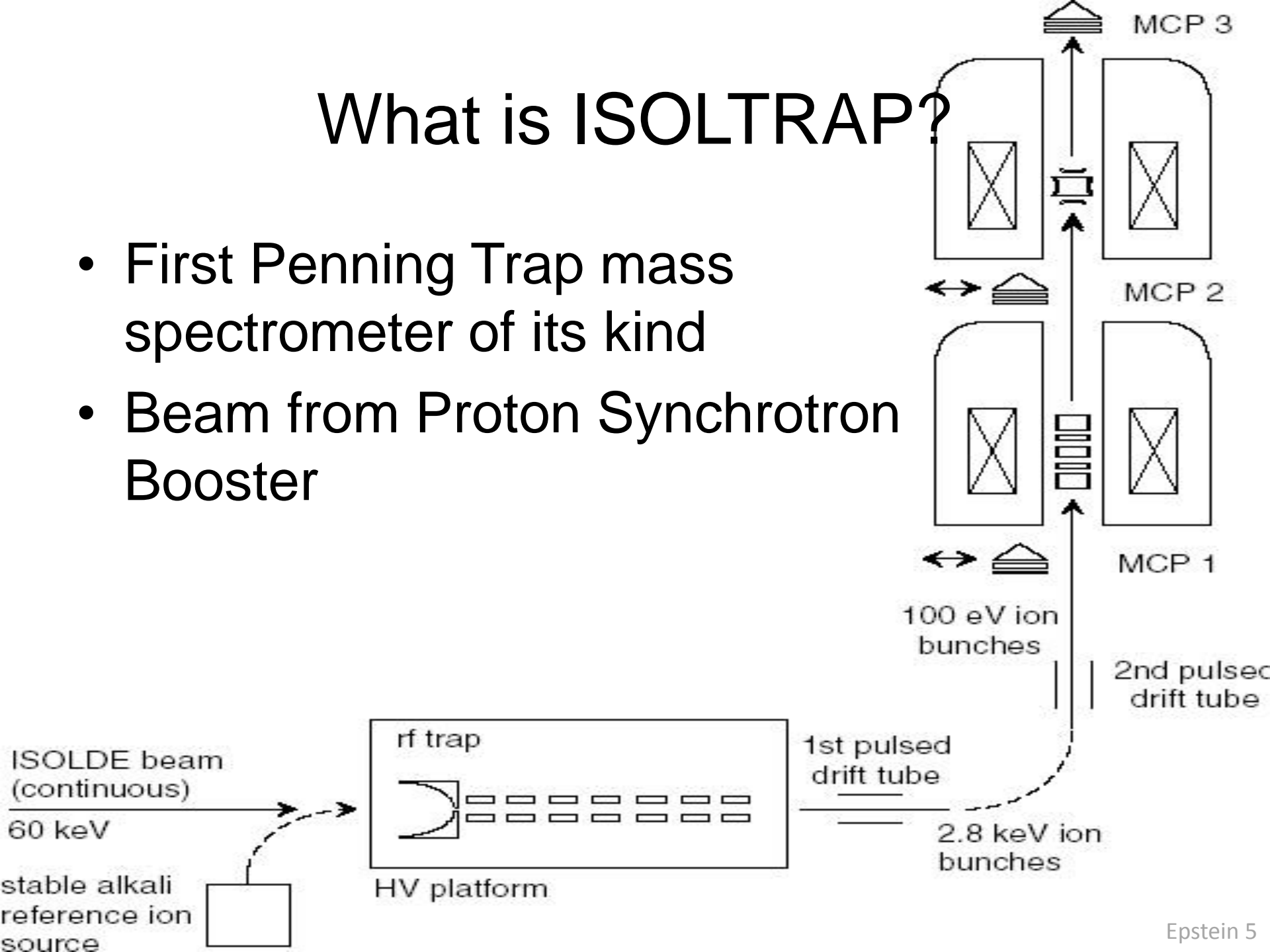
What is ISOLTRAP?

- First Penning Trap mass spectrometer of its kind
- Beam from Proton Synchrotron Booster



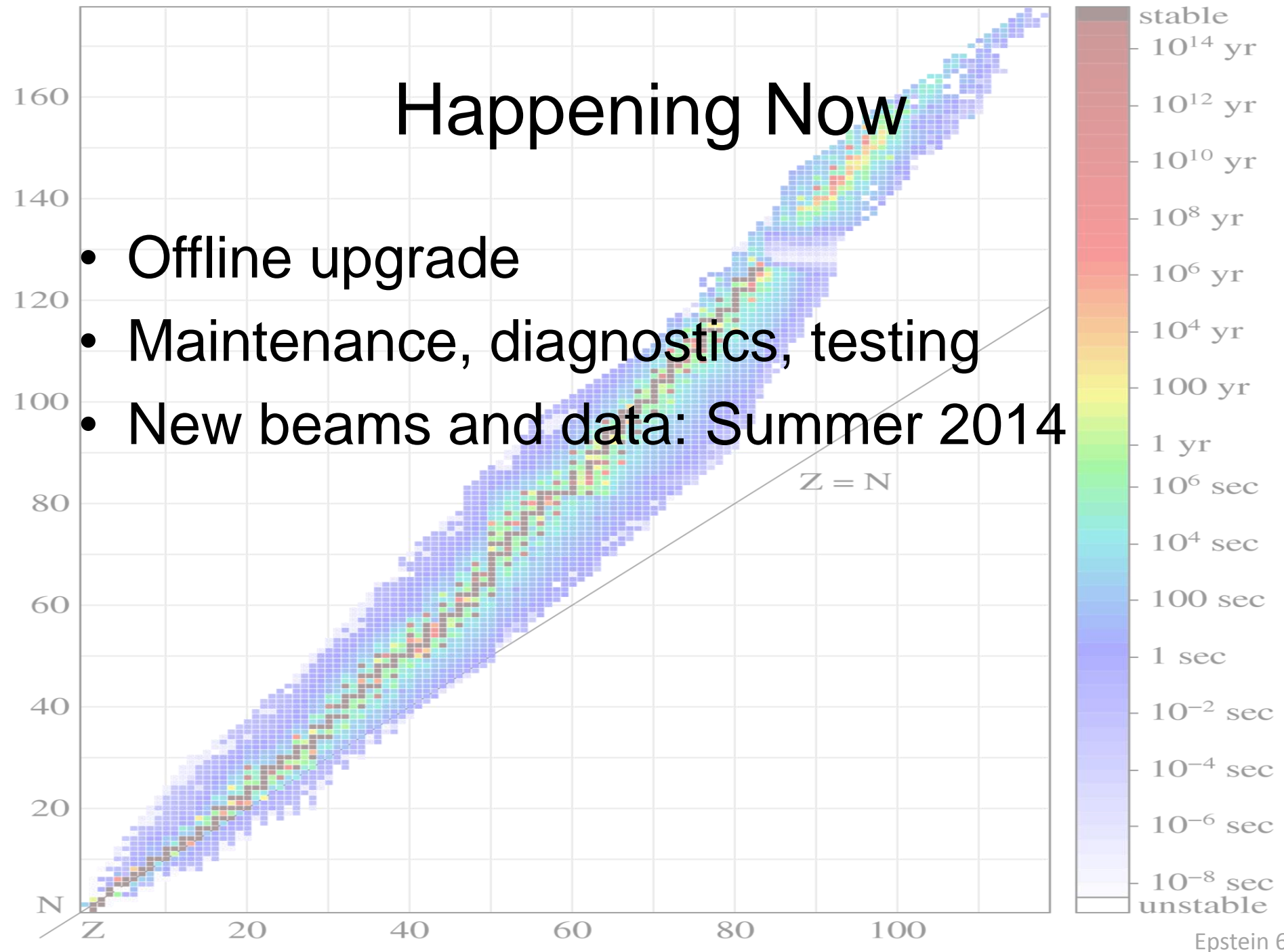
What is ISOLTRAP?

- First Penning Trap mass spectrometer of its kind
- Beam from Proton Synchrotron Booster



Happening Now

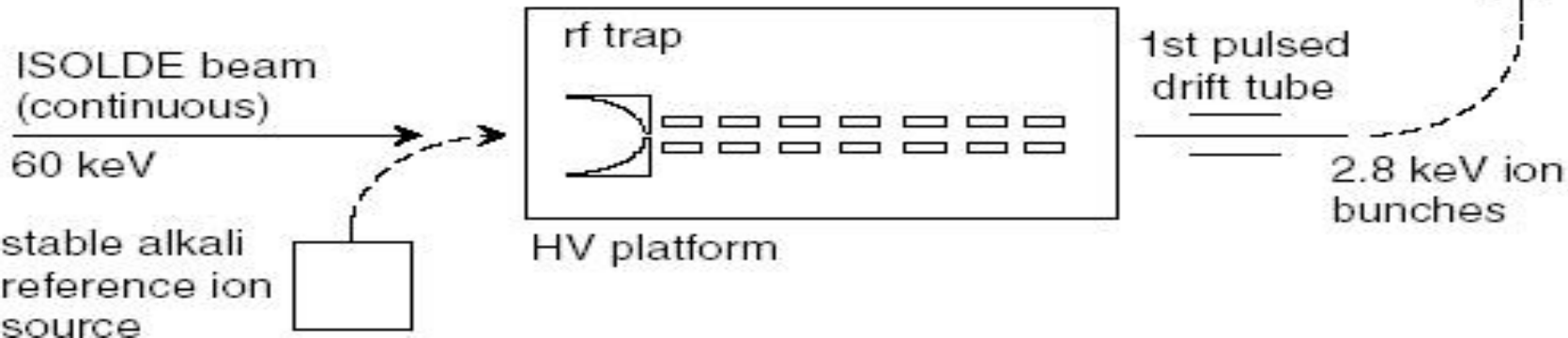
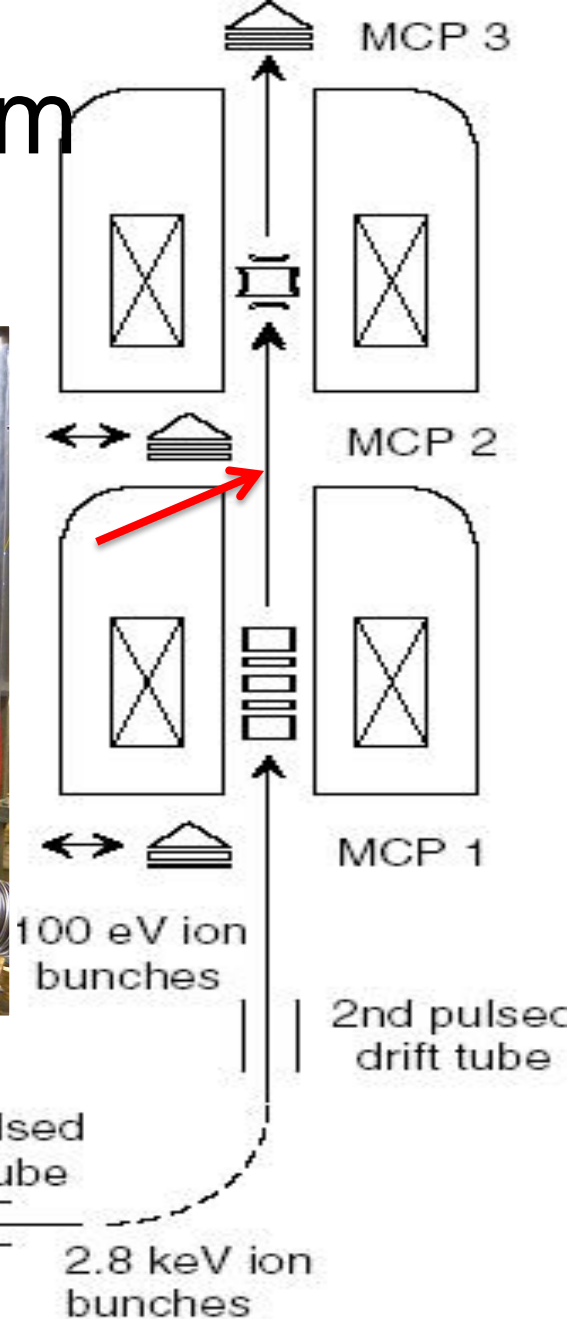
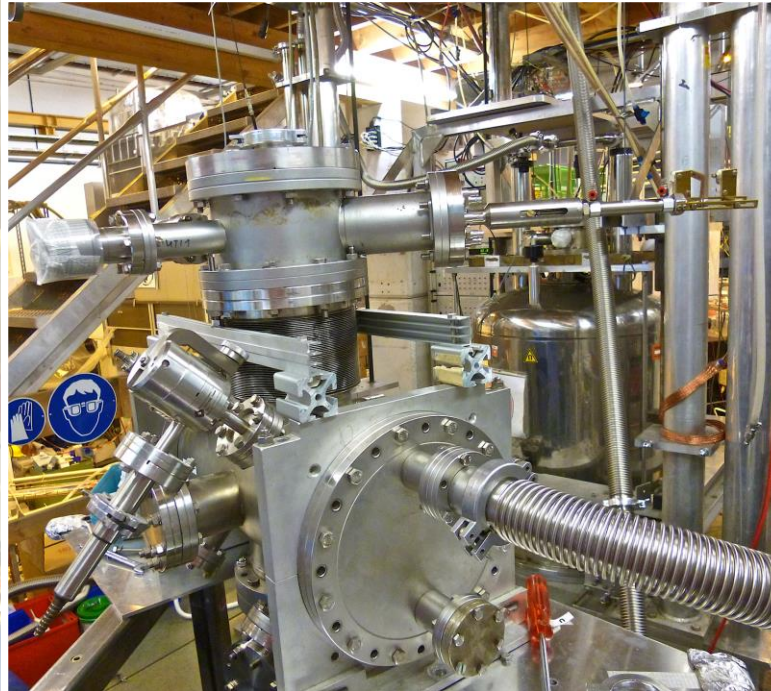
- Offline upgrade
- Maintenance, diagnostics, testing
- New beams and data: Summer 2014



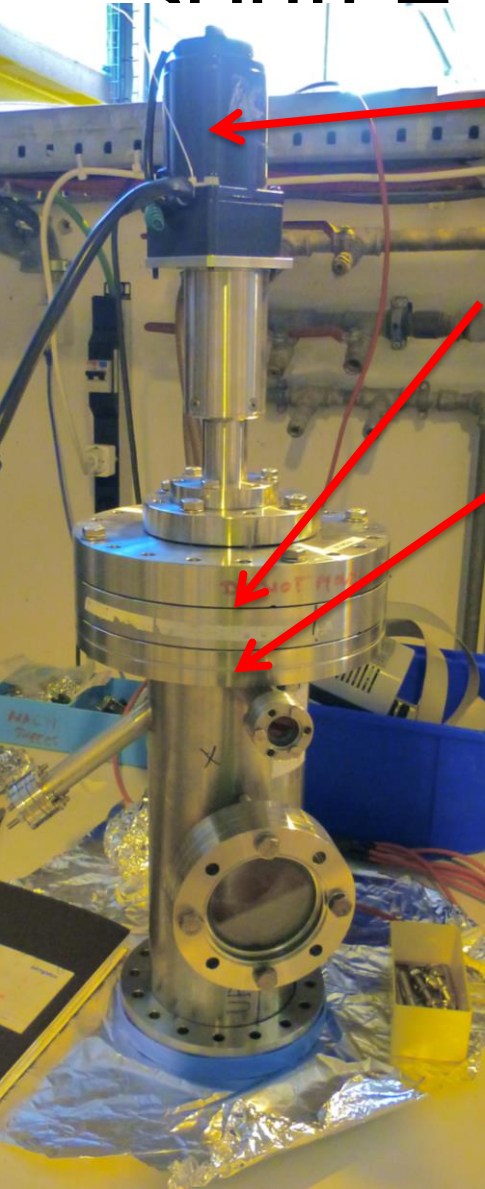
My Work Thus Far: System Wiring



My Work Thus Far: Vacuum Chambers



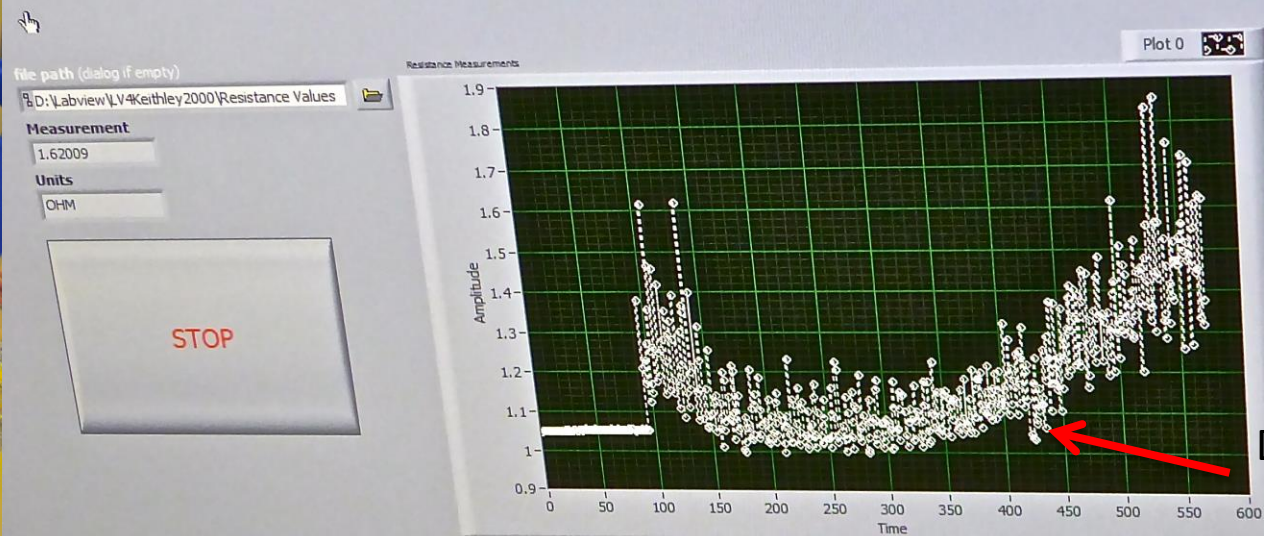
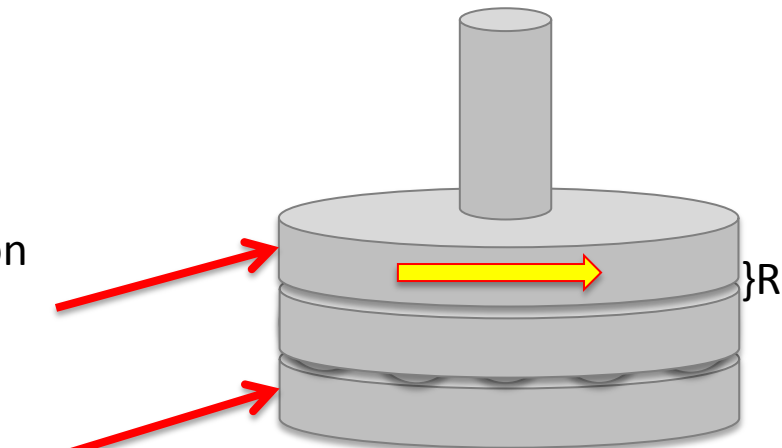
My Work Thus Far: Laser Ion Source



Motor

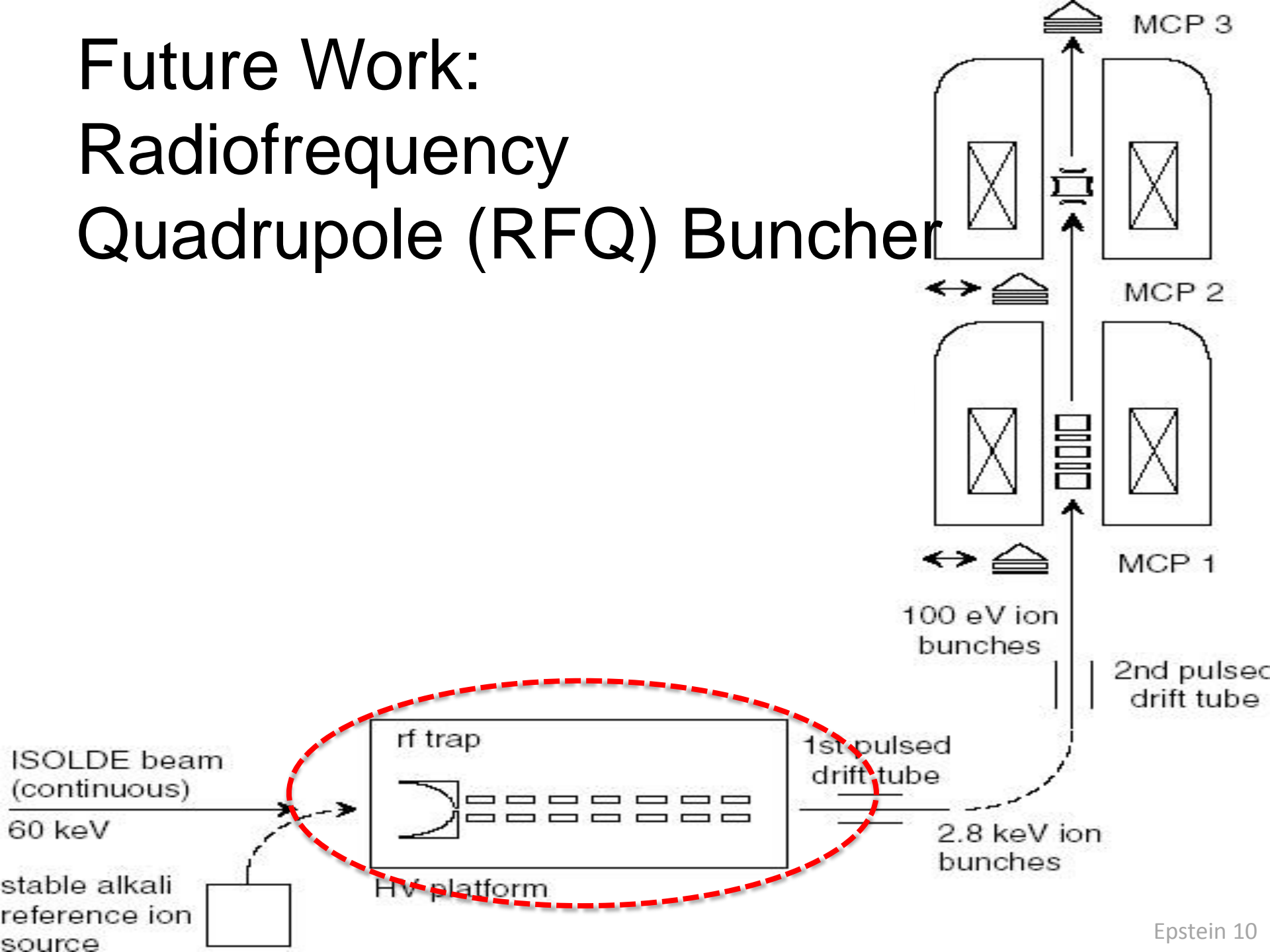
Rotating Alkali Ion Source (interior)

3kV electrode (interior)



Direction Change

Future Work: Radiofrequency Quadrupole (RFQ) Buncher



End/ Ende/ Fin/ Fine