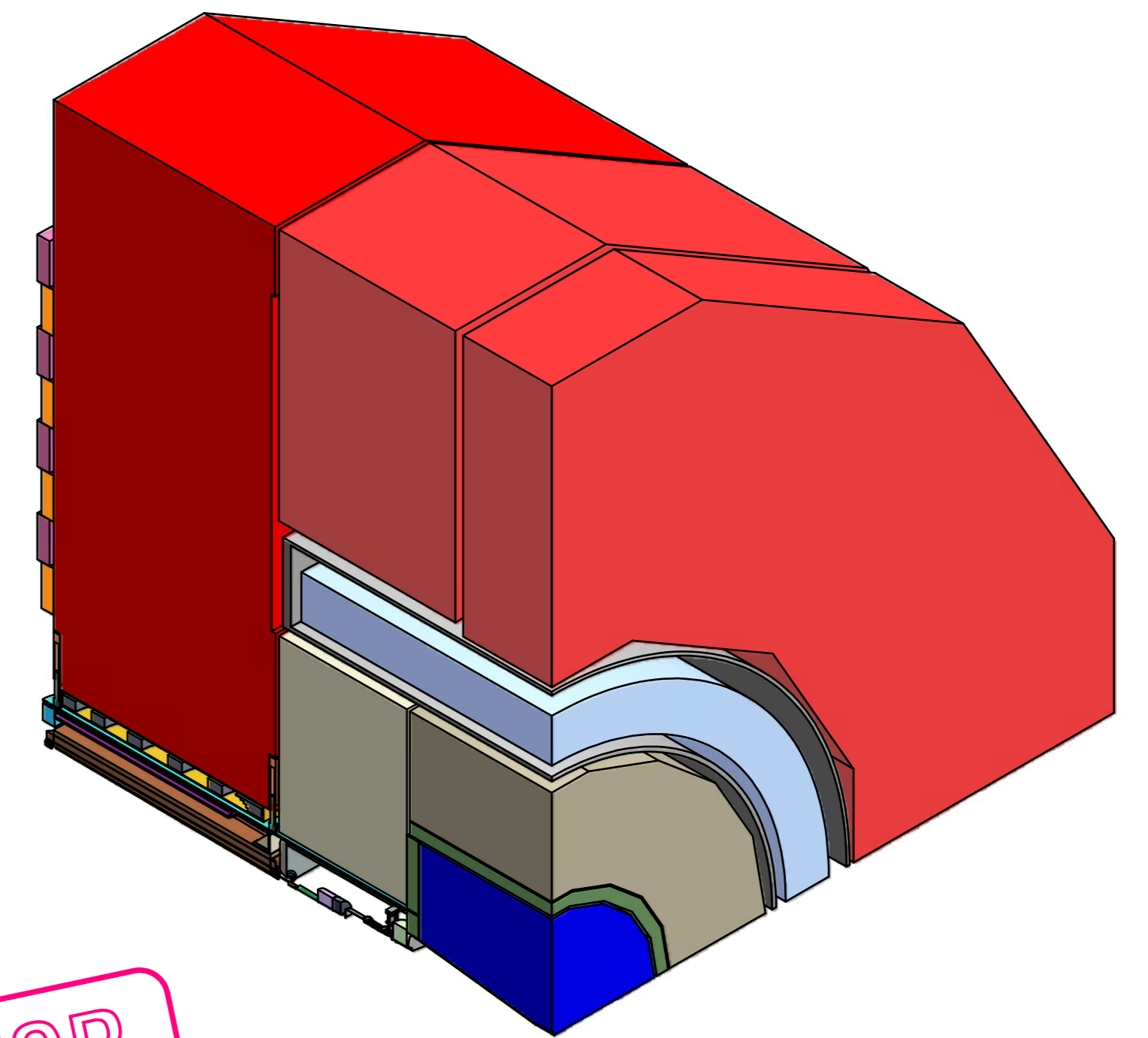
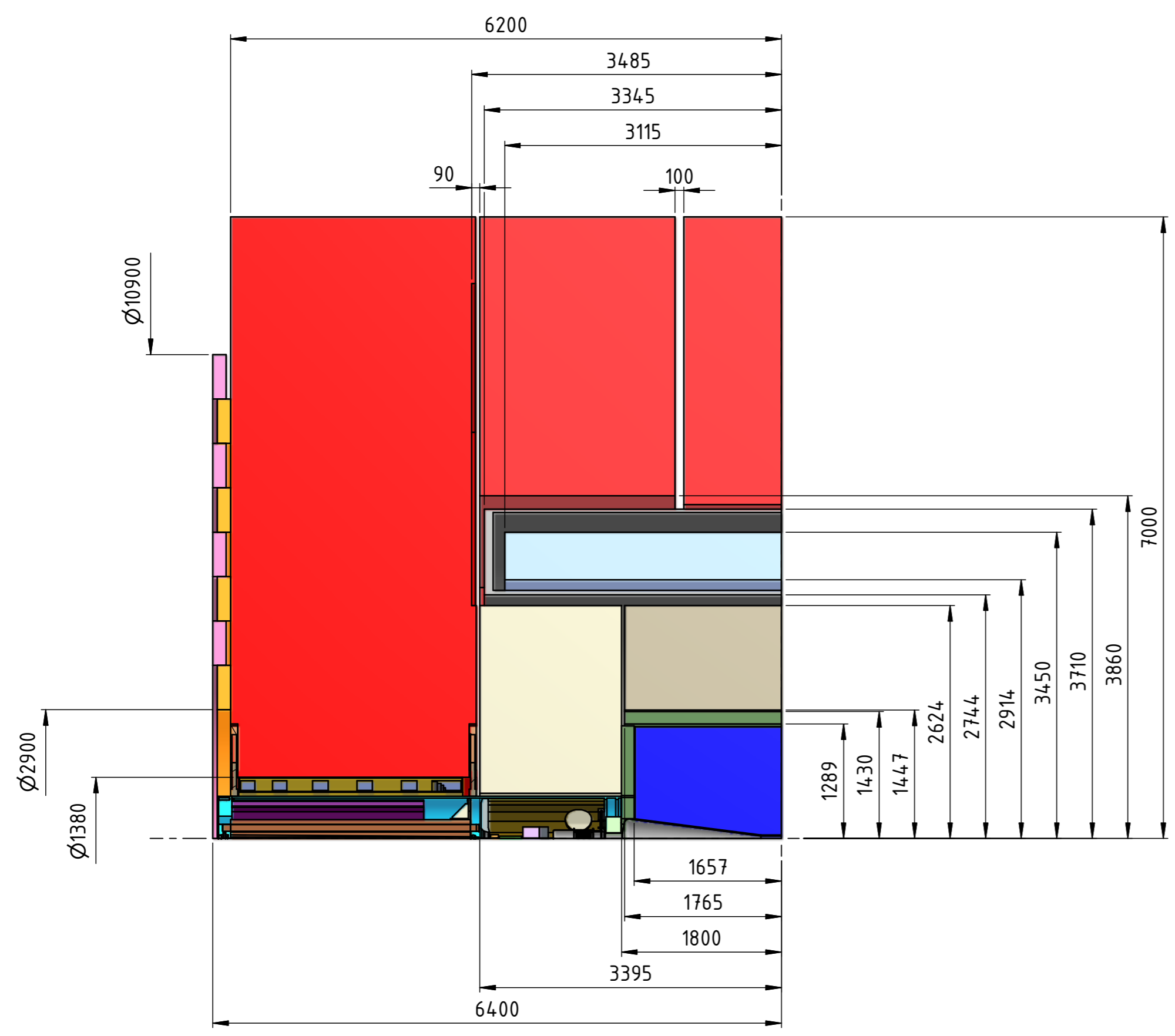
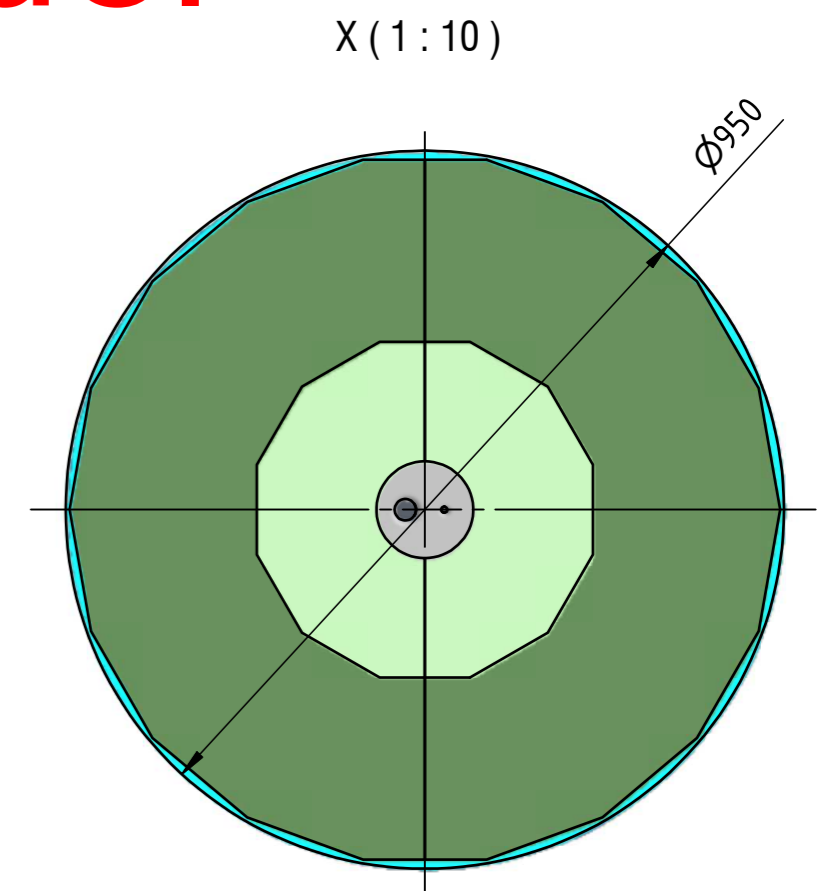
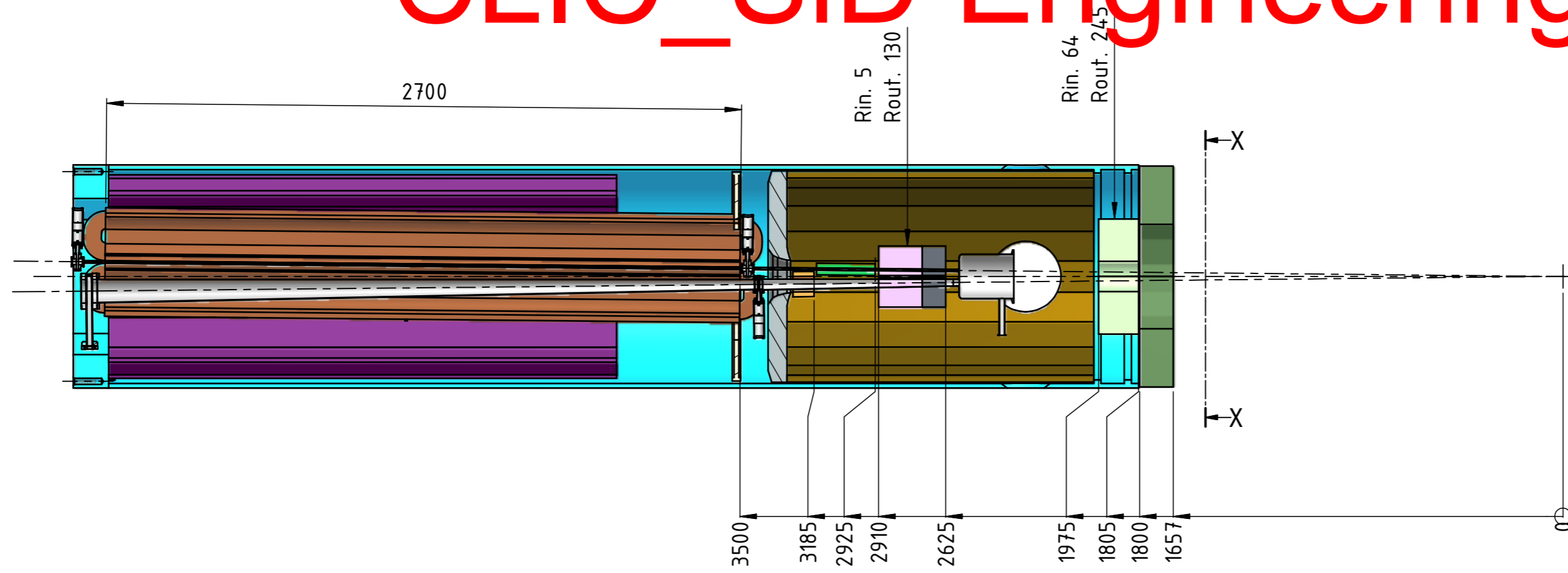


CLIC_SiD Engineering Model



DRAFT FOR DISCUSSION

See also at: <https://twiki.cern.ch/twiki/bin/view/CLIC/ClicCDRNumbers>

DIMENSION	<=6	> 6	> 30	> 120	> 315	>1000	>2000
USINAGE, MOYEN/MEDIUM MACHINING	± 0.1	± 0.2	± 0.3	± 0.5	± 0.8	± 1.2	± 2
MECANO, Soudure/WELDED STRUCTURE	± 0.3	± 1	± 2	± 3	± 5	± 7	± 10

DESSIN, RUGOSITE, TOLERANCES
SELON NORMES ISO
DRAWING, RUGOSITY, TOLERANCES
ACCORDING TO ISO STANDARDS

PROJECTION

ORGANISATION EUROPÉENNE POUR LA RECHERCHE NUCLÉAIRE
EUROPEAN ORGANIZATION FOR NUCLEAR RESEARCH
GENÈVE

Ce dessin ne peut être utilisé à des fins commerciales sans autorisation écrite
This drawing may not be used for commercial purposes without written authorisation

	CLIC SiD for CDR	DES/DRA. N. Siegrist CONTROLLED RELEASED APPROVED	06.07.2011
	NON VALABLE POUR EXECUTION NOT VALID FOR EXECUTION		
		ECHELLE SCALE 1:50 1:20	
			SIZE A2

