

# IP careers: an overview and discussion

Dr Elliott Davies

[elliott.davies@wynne-jones.com](mailto:elliott.davies@wynne-jones.com)



in conjunction with:

 LANET 



[wynne-jones.com](http://wynne-jones.com)



Telford

Cardiff

Cheltenham



YOUR KEY TO  
INTERNATIONAL SUCCESS



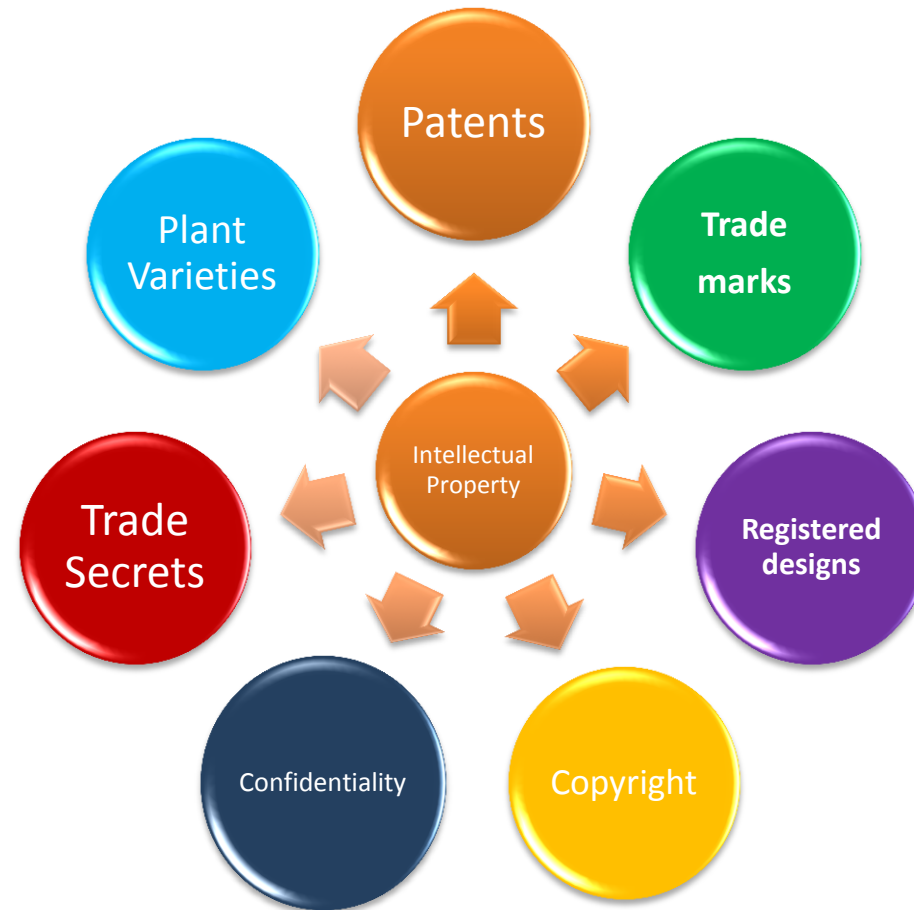


## Agenda

- Overview of Intellectual Property
  - Life as a Patent Attorney
- Qualifying as a Patent Attorney
  - Benefits and Drawbacks
  - Things to consider





# Overview of Intellectual Property



# Intellectual Property: Patents



 <p>Europäisches Patentamt European Patent Office Office européen des brevets</p>	 <p>(11) EP 1 286 284 B1</p>
<p>(12) EUROPEAN PATENT SPECIFICATION</p>	
<p>(45) Date of publication and mention of the grant of the patent: 14.06.2006 Bulletin 2006/24</p>	<p>(51) Int. Cl.: G06F 17/24 (2006.01)</p>
<p>(21) Application number: 01306941.4</p>	
<p>(22) Date of filing: 15.08.2001</p>	
<p>(54) <b>Spreadsheet data processing system</b> System zur Analyse von Tabellenkalkulationsdaten Système d'analyse de données de tableur</p>	
<p>(84) Designated Contracting States: AT BE CH CY DE DK ES FI FR GB GR IE IT LI LU MC NL PT SE TR</p>	<p>(56) References cited: US-A- 4 992 939</p>
<p>(43) Date of publication of application: 26.02.2003 Bulletin 2003/09</p>	<p>• RAY BUTLER: "The Subversive Spreadsheet" EUSPRIG, [Online] XP002181432 Retrieved from the Internet: &amp;lt;URL:http://www.gre.ac.uk/~cd02/eusprig/RayButler1.htm&amp;gt; [retrieved on 2001-10-29]</p>
<p>(73) Proprietor: SVA Software Ltd. Bath, BA2 5JN (GB)</p>	<p>• N.N.: "Spreadsheet Professional Fact Sheet" GRAY MATTER, [Online] 20 September 1996 (1996-09-20), XP002181435 Retrieved from the Internet: &amp;lt;URL:http://www.graymatter.com/blobs/doc/0 0000833.doc; http://www.greymatter.com/products/0001045 7.htm; http://www.greymatter.com/prdidx/00006869.htm#00006869&amp;gt; [retrieved on 2001-10-29]</p>
<p>(72) Inventors: • Richter, John Anderson The Park, Nottingham NG7 1AR (GB) • Tregenza, Christopher Roy Nottingham, NG7 1GU (GB) • Siersted, Morten Come Down, Bath BA2 5JN (GB)</p>	<p>• MELISSA AND ANTHONY BERGLAS: "Spreadsheet Detective" SOUTHERN CROSS SOFTWARE, [Online] 25 July 2001 (2001-07-25), XP002181433 Retrieved from the Internet: &amp;lt;URL:http://www.spreadsheetdetective.com; http://www.uq.net.au/detective/home.html&amp;gt; [retrieved on 2001-10-29]</p>
<p>(74) Representative: Newell, William Joseph et al Wynne-Jones, Laine &amp; James 22 Rodney Road Cheltenham GL50 1JJ (GB)</p>	

EP 1 286 284 B1

Note: Within nine months from the publication of the mention of the grant of the European patent, any person may give notice to the European Patent Office of opposition to the European patent granted. Notice of opposition shall be filed in a written reasoned statement. It shall not be deemed to have been filed until the opposition fee has been paid. (Art. 99(1) European Patent Convention).

Printed by Jouve, 75001 PARIS (FR)

Registered right

Territorial – UK, EP, CN, US, JP...

To be patentable, invention must be:

- **Novel** – must not form part of the state of the art which includes anything which has been published (oral or written) prior to the filing date of the application
- **Inventive** – must not be an obvious development over the state of the art, when assessed by the skilled person
- **Susceptible of industrial application** – invention must be susceptible of being made or used in any kind of industry

Gives you the right to control commercial exploitation of your invention

- making, selling, using, importing
- lasts 20 years in most countries



## Filing an Application:

Description:

Need to disclose the invention in detail

Claims:

These define the scope of protection

Drawings:

Not essential, but recommended

## Intellectual Property: Trade Marks



Can be registered or unregistered

To be registrable:

Must be

- Distinctive (can be acquired)
- Capable of being represented graphically



Must not be

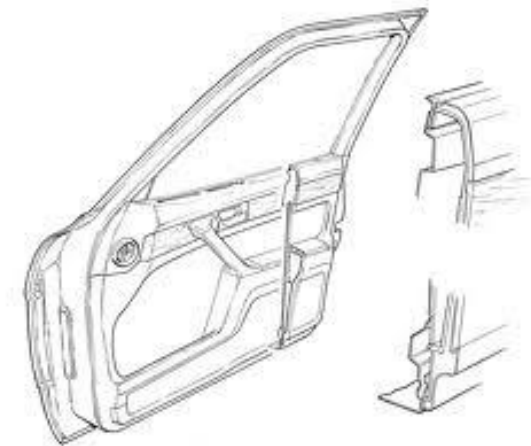
- Descriptive
- Laudatory
- Indicative of geographic origin



## Intellectual Property: Designs



- Protect visual appearance/styling of a product, can cover e.g. icons
  - Must be new and have “individual character”
  - Not for designs where features defined by technical function
- Not for must fit designs
- Not for hidden features







## Agenda

- Overview of Intellectual Property
  - **Life as a Patent Attorney**
- Qualifying as a Patent Attorney
  - Benefits and Drawbacks
  - Things to consider



## Life as a Patent Attorney

### What is a Patent Attorney?

A patent attorney is a member of a profession of around 1,500 members who have a particular expertise in the field of intellectual property, principally patents

### What does a Patent Attorney do?

Day to day work deals with obtaining and enforcing intellectual property rights

Governed by the legal body - IPREG



## Options:

IP departments of industrial organisations  
(in-house)

private firms of patent attorneys  
(private practice)

government departments



## Duties of a Patent Attorney...

- Liaising with clients
- Drafting patent specifications
  - Preparing forms
  - Meeting deadlines
    - Searches
- Reviewing Search reports and Exam reports
- Preparing Examination Responses
  - Assignments and transactions
    - Infringement and Validity
      - Litigation

## CLAIMS

1. Support arrangement comprising a planar surface supported above the ground and arranged in a substantially parallel orientation to the ground for supporting items positioned on the planar surface above the ground.

2. An arrangement as defined in claim 1, further comprising at least one support leg for supporting the planar surface above the ground.

3. An arrangement as defined in claim 2, wherein the arrangement comprises four support legs.

4. An arrangement as defined in claim 3, wherein the support surface is substantially rectangular and one support leg is disposed at each corner of the surface.

5. An arrangement according to claim 4, wherein each leg is orientated substantially orthogonal to the support surface.





## CLAIMS

1. Support arrangement comprising a planar surface supported above the ground and arranged in a substantially parallel orientation to the ground for supporting items positioned on the planar surface above the ground.

2. An arrangement as defined in claim 1, further comprising at least one support leg for supporting the planar surface above the ground.

3. An arrangement as defined in claim 2, wherein the arrangement comprises four support legs.

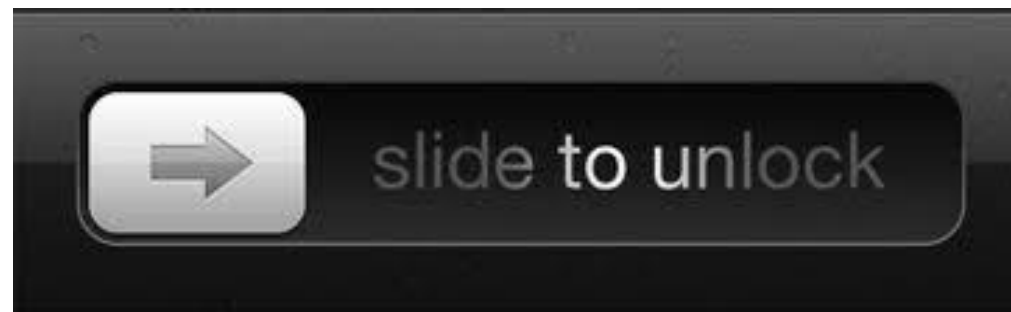
4. An arrangement as defined in claim 3, wherein the support surface is substantially rectangular and one support leg is disposed at each corner of the surface.

5. An arrangement according to claim 4, wherein each leg is orientated substantially orthogonal to the support surface.



## Guess the invention:

1. A method of unlocking a hand-held electronic device, the device including a touch-sensitive display, the method comprising:
  - detecting a contact with the touch-sensitive display at a first predefined location corresponding to an unlock image;
  - continuously moving the unlock image on the touch-sensitive display in accordance with movement of the contact while continuous contact with the touch screen is maintained, wherein the unlock image is a graphical, interactive user-interface object with which a user interacts in order to unlock the device;
  - and unlocking the hand-held electronic device if the moving the unlock image on the touch-sensitive display results in movement of the unlock image from the first predefined location to a predefined unlock region on the touch-sensitive display.





## Agenda

- Overview of Intellectual Property
  - Life as a Patent Attorney
- **Qualifying as a Patent Attorney**
  - Benefits and Drawbacks
  - Things to consider



## Qualifying as a Patent Attorney



- a scientific or technical background
- legal skills of drafting, analysis & logical thought
  - use language aptly and accurately
    - especially in written work
- a knowledge of English, French and/or German is helpful and may distinguish you from other candidates

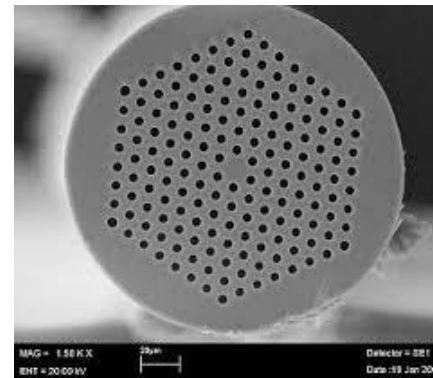
## My Curriculum Vitae

- A-Levels – mathematics, physics, chemistry
- Master of Physics – University of Bath
- Ph.D Optoelectronics – Sound and Light in Periodically Microstructured Materials



UNIVERSITY OF  
**BATH**

Centre for  
**Photonics  
& Photonic Materials**





## Examinations

### UK Qualification - Chartered Patent Agent:

- Foundation Exams - 6 Exams  
(patent, trade mark, design and copyright law, English law)
- Advanced Exams - 4 Exams  
(safe to practice)
- Joint Examination Board  
(London, Bristol, Leeds, Glasgow...)

### European Qualification – European Patent Attorney:

- 1 pre-exam
- 4 EQE exams

## Another route...



Can obtain an exemption from the foundation exams by undertaking Certificate and Master's courses in intellectual property run by

[Queen Mary, University of London,](#)

[Manchester University](#)

[Bournemouth University](#)

[Brunel University](#)



## Agenda

- Overview of Intellectual Property
  - Life as a Patent Attorney
- Qualifying as a Patent Attorney
  - **Benefits and Drawbacks**
    - Things to consider



## Benefits of being an Attorney:

- In contact with cutting edge science and technology
  - Job satisfaction
  - Varied tasks
  - Meet clients (on and off site)
- Continued development (CPD)
  - Networking
- Good remuneration when qualified
- Obtain commercial awareness
  - Meet interesting people

## Drawbacks of being an Attorney:



- Exams and revision in spare time (low pass rates)
  - New skills / terminology to learn
    - New writing style
    - Learn IP Law
  - Desk job (I.e. not lab work)
    - Not the inventor
  - Demanding Profession
    - Networking
    - Many Deadlines



## Agenda

- Overview of Intellectual Property
  - Life as a Patent Attorney
- Qualifying as a Patent Attorney
  - Benefits and Drawbacks
  - **Things to consider**



## What you can do at this stage



- Review patent specifications and become familiar with their format ([www.espacenet.com](http://www.espacenet.com))
- Familiarise yourself with national and foreign patent office websites
  - UK: [www.ipo.gov.uk](http://www.ipo.gov.uk)
  - EPO: [www.epo.org](http://www.epo.org)
  - WIPO: [www.wipo.org](http://www.wipo.org)
- Familiarise yourself with the patent prosecution procedure
- Familiarise yourself with important case law e.g. Windsurfer, Pozzoli
  - Consider work experience

## Things to consider...



- Do your homework - review the companies you are applying to
- Review patent specifications prepared by attorneys of the companies
- Practice describing an object- e.g. a stapler- be careful describe the structural features that provide the desired function
  - Don't give up

**Thank you for listening -  
any questions ?**

Dr Elliott Davies

[elliott.davies@wynne-jones.com](mailto:elliott.davies@wynne-jones.com)

