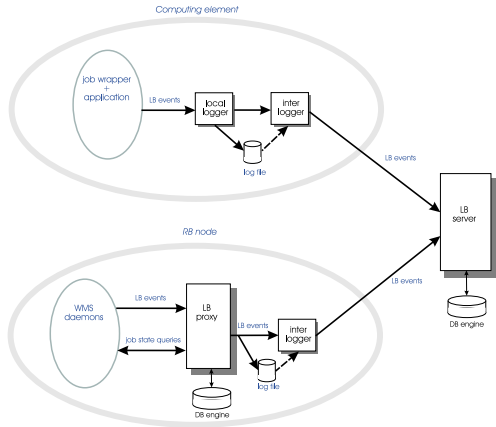


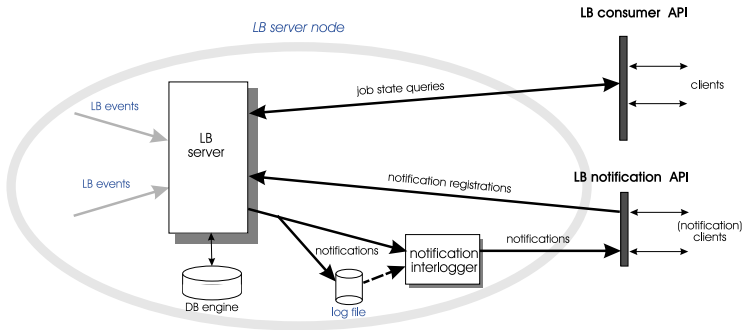
L&B notifications for Job Monitoring on the LCG infrastructure

Aleš Křenek



- **L&B events** – important points in job life
- reliably delivered by **interlogger**
- **L&B server** computes job status
- complexity of job processing is encapsulated

- user subscribes for notifications on job state changes
 - **notification handle** is returned
- various filtering criteria
 - single job, VO, resource broker, specific state only, ...



- notification matching at L&B server
 - M jobs \times N notifications may not scale
 - configurable **notification indices** (job owner, VO, WMS endpoint)
 - current job state transformed into SQL query

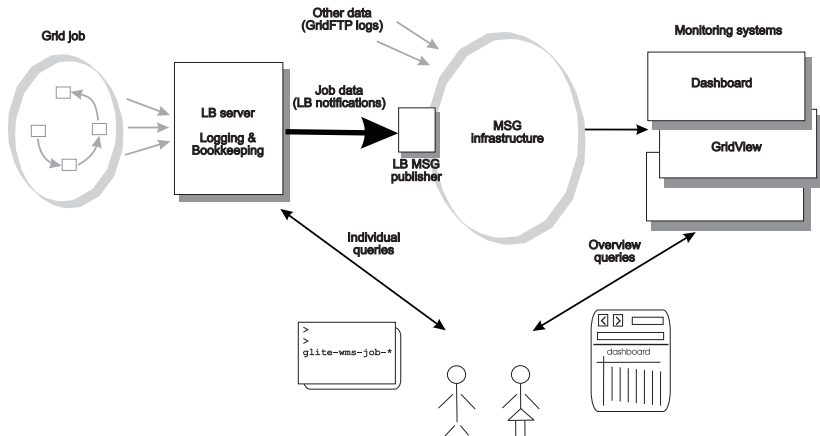

```
select notifid from notifications
where JDL_VirtualOrganisation = 'cms'
...
```
 - only matching notifications processed further
- messages delivered by modified interlogger
 - reliable delivery (queued when user is temporarily away)
 - destination address can be changed
 - messages expire and get purged unless handle is refreshed

- notification matching at L&B server
 - M jobs × N notifications may not scale
 - configurable **notification indices** (job owner, VO, WMS endpoint)
 - current job state transformed into SQL query


```
select notifid from notifications
where JDL_VirtualOrganisation = 'cms'
...
```
 - only matching notifications processed further
- messages delivered by modified interlogger
 - reliable delivery (queued when user is temporarily away)
 - destination address can be changed
 - messages expire and get purged unless handle is refreshed

- monitoring tools need fresh info on many jobs
- periodic L&B queries are inefficient
 - too many records returned
 - very few changes wrt. previous result
- notifications are appropriate approach
- **L&B to MSG publisher** (work by V. Kumar)
 - create and refresh notification handle(s) "all jobs on a WMS"
 - transform incoming notifications into MSG format
 - publish to "org.wlwg.usage.jobstatus" topic
- see poster #50

- monitoring tools need fresh info on many jobs
- periodic L&B queries are inefficient
 - too many records returned
 - very few changes wrt. previous result
- notifications are appropriate approach
- **L&B to MSG publisher** (work by V. Kumar)
 - create and refresh notification handle(s) “all jobs on a WMS”
 - transform incoming notifications into MSG format
 - publish to “org.wlwg.usage.jobstatus” topic
- see poster #50



- L&B contains valuable data for job monitoring
- L&B notifications offer reasonable solution to deliver it
- prototype of MSG publisher developed, whole chain tested
- integrated stress tests needed
- CMS agreed to redirect part of its production to our testbed
 - dedicated WMS and L&B
 - submitting to production sites

- L&B contains valuable data for job monitoring
- L&B notifications offer reasonable solution to deliver it
- prototype of MSG publisher developed, whole chain tested
- integrated stress tests needed
- CMS agreed to redirect part of its production to our testbed
 - dedicated WMS and L&B
 - submitting to production sites