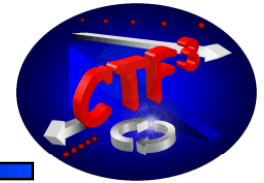
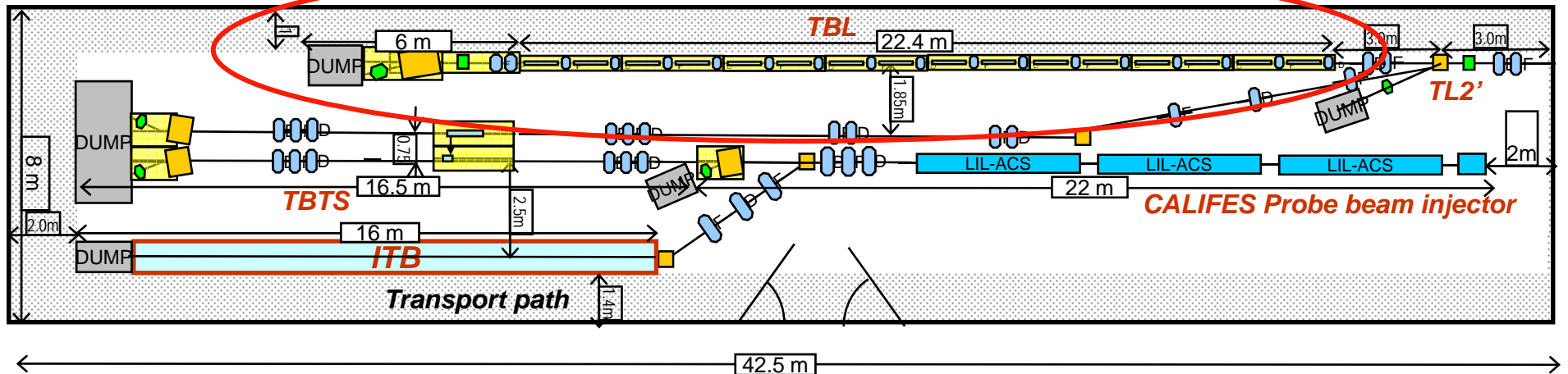




The CTF3 Test Beam Line (TBL)

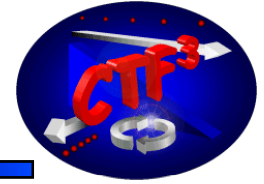


Status of TBL

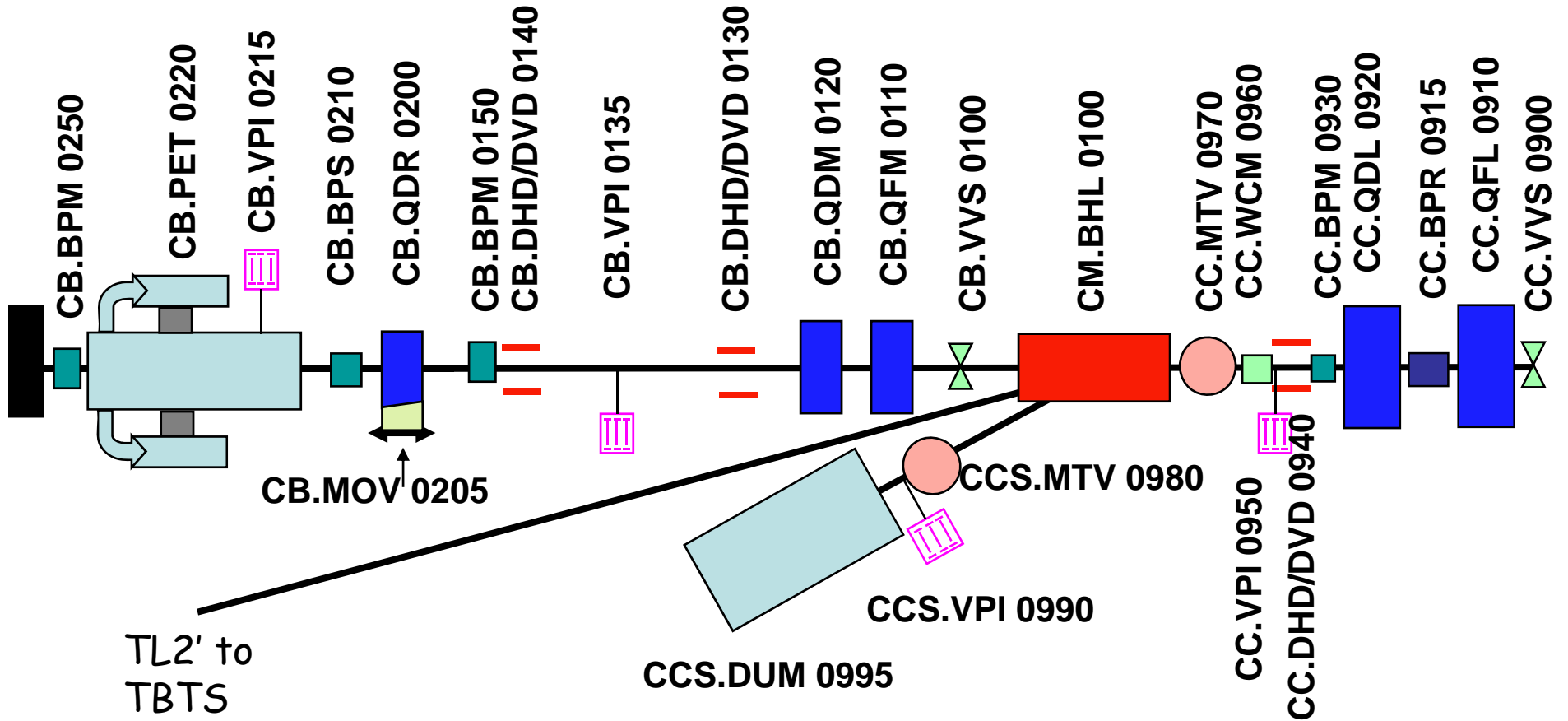




TL2 and TBL in CLEX 2008

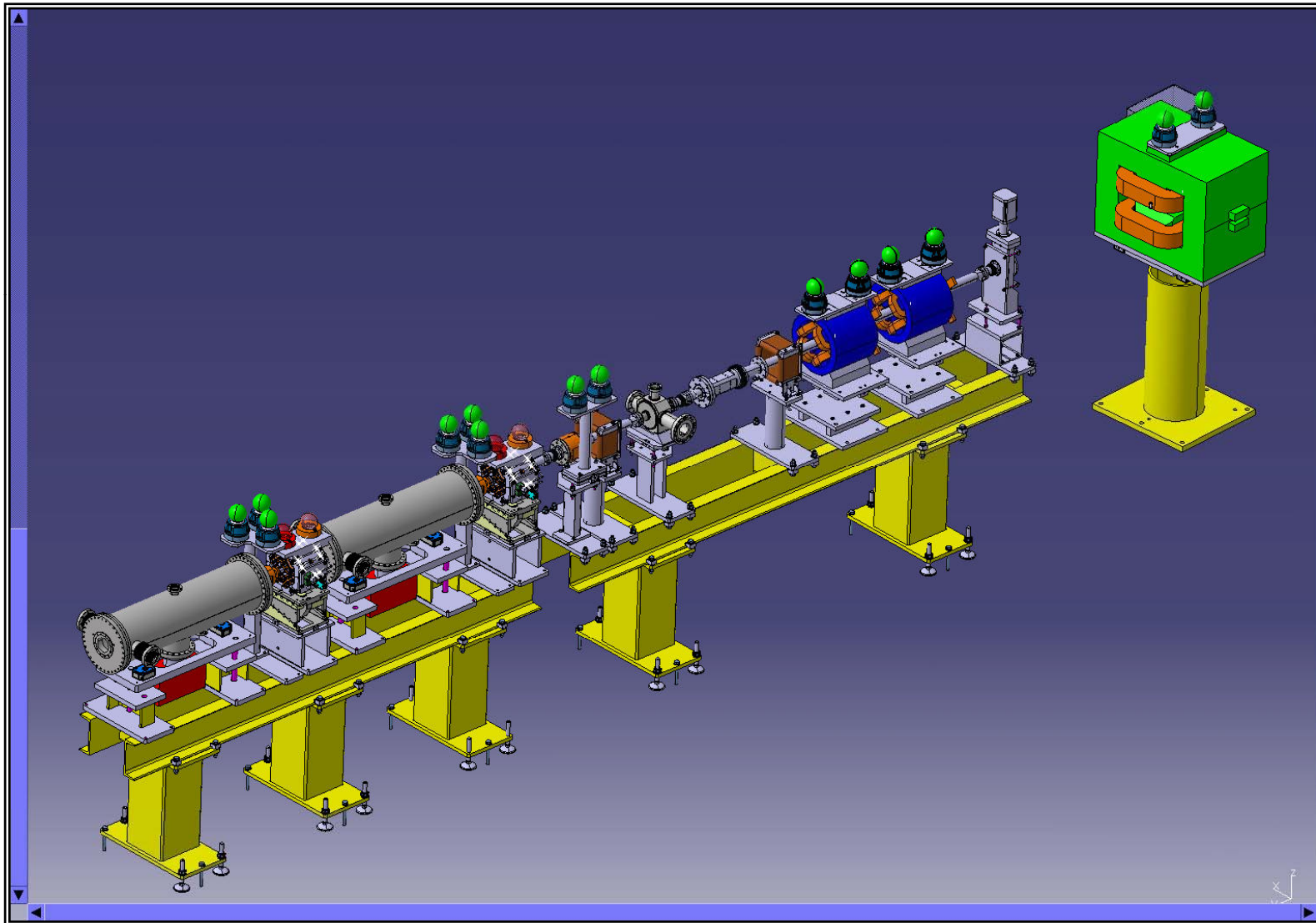
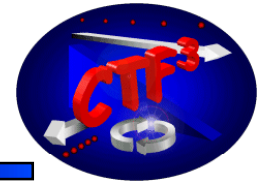


TBL Prototype Module



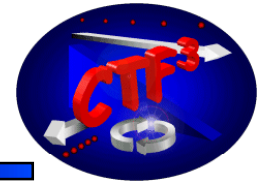


Module integration





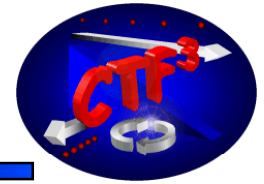
Status of the prototype components



- PETS (CIEMAT): rf design finished,
PETS prototype bar successfully manufactured
Full PETS manufacturing and tank design progressing
- BPM's (Valencia and Barcelona):
one analog unit finished and tested at CERN,
2 BPM prototypes assembled and 'cold' tested at CERN
Funds for series production allocated
- Quads (CERN): Design by Th. Zickler finished,
prototype in June, series ordered with BINP
- Quad-Movers (CIEMAT): prototype fully tested at CERN
series production under preparation
- High power rf (CERN): directional couplers,
loads and waveguide components ordered
- Low Level rf (CERN): being manufactured
- TL2' diagnostics (CERN): Currently installed



Installation

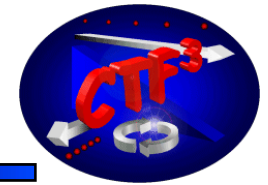


In progress, girders and quads mounted in CLEX
Currently planned to be finished in June 2008,
(looks like PETS tank might be slightly delayed)





Tentative TBL-Schedule



Basic plan is to install the full beam line, including Quads with movers, BPM's, replacement pipes for PETS tanks and the end of line diagnostic section during the next shutdown 2008/2009

After that PETS tanks will be installed as they get fabricated and delivered to CERN until 2010

| Task | 2008 | | | | | | | | | | | | 2009 | | | | | | | | | | | | 2010 | | | | | | | | | | | |
|---|------|-----|-----|-----|-----|-----|-----|-----|------|-----|-----|-----|------|-----|-----|-----|-----|-----|-----|-----|------|-----|-----|-----|------|-----|-----|-----|-----|-----|-----|-----|------|-----|-----|-----|
| | Jan | Feb | Mar | Apr | May | Jun | Jul | Aug | Sept | Oct | Nov | Dez | Jan | Feb | Mar | Apr | May | Jun | Jul | Aug | Sept | Oct | Nov | Dez | Jan | Feb | Mar | Apr | May | Jun | Jul | Aug | Sept | Oct | Nov | Dez |
| Diagnostic Beam line installation | ■ | | | | | | | | | | | | | | | | | | | | | | | | | | | | | | | | | | | |
| Module Design | ■ | | | | | | | | | | | | | | | | | | | | | | | | | | | | | | | | | | | |
| Construction of prototype PETS tank | | | ■ | | | | | | | | | | | | | | | | | | | | | | | | | | | | | | | | | |
| Prototype module installation | ■ | | | | | | | | | | | | | | | | | | | | | | | | | | | | | | | | | | | |
| Prototype module testing | | | | | | | | | ■ | | | | | | | | | | | | | | | | | | | | | | | | | | | |
| Supports, girders, vacuum | | | | | | ■ | | | | | | | | | | | | | | | | | | | | | | | | | | | | | | |
| Movers, Quads, BPS series | | | | | | ■ | | | | | | | | | | | | | | | | | | | | | | | | | | | | | | |
| PETS tank series | | | | | | | | | | | | | | | | | | ■ | | | | | | | | | | | | | | | | | | |
| Installation of the beam line w/o tanks | | | | | | | | | | | | | ■ | | | | | | | | | | | | | | | | | | | | | | | |
| Installation of more modules | | | | | | | | | | | | | ■ | | | | | | | | | | | | | | | | | | | | | | | |
| Commissioning | | | | | | | | | | | | | | | | | | ■ | | | | | | | | | | | | | | | | | | |
| Complete installation | | | | | | | | | | | | | ■ | | | | | | | | ■ | | | | | | | | | | | | | | | |
| Commissioning | | | | | | | | | | | | | | | | | | | | | | ■ | | | | | | | | | | | | | | |