

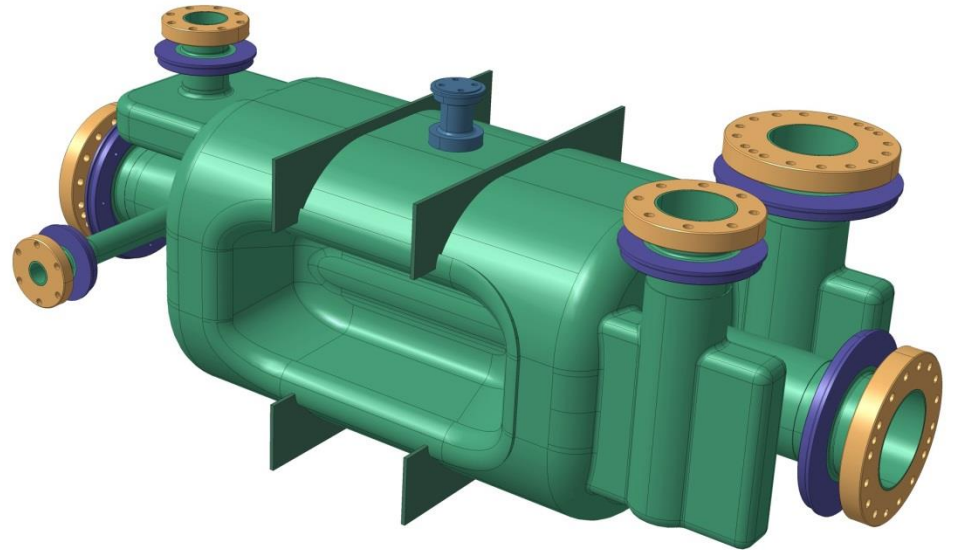
DQW 3D Model

<https://edms.cern.ch/document/1394040>

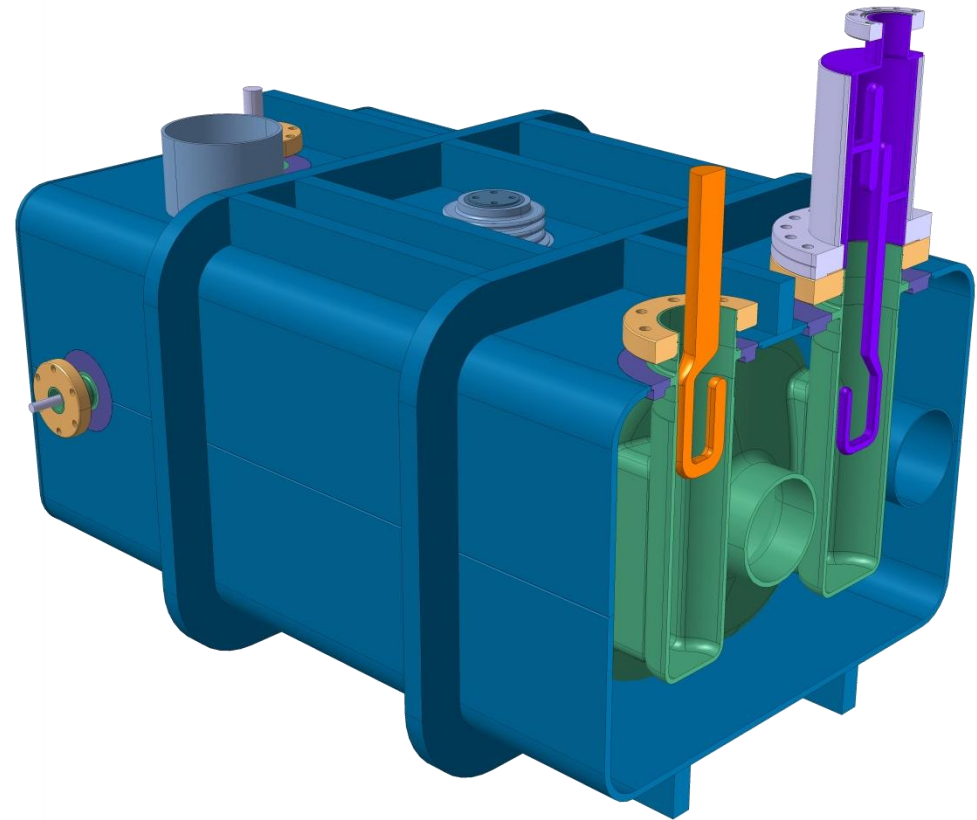
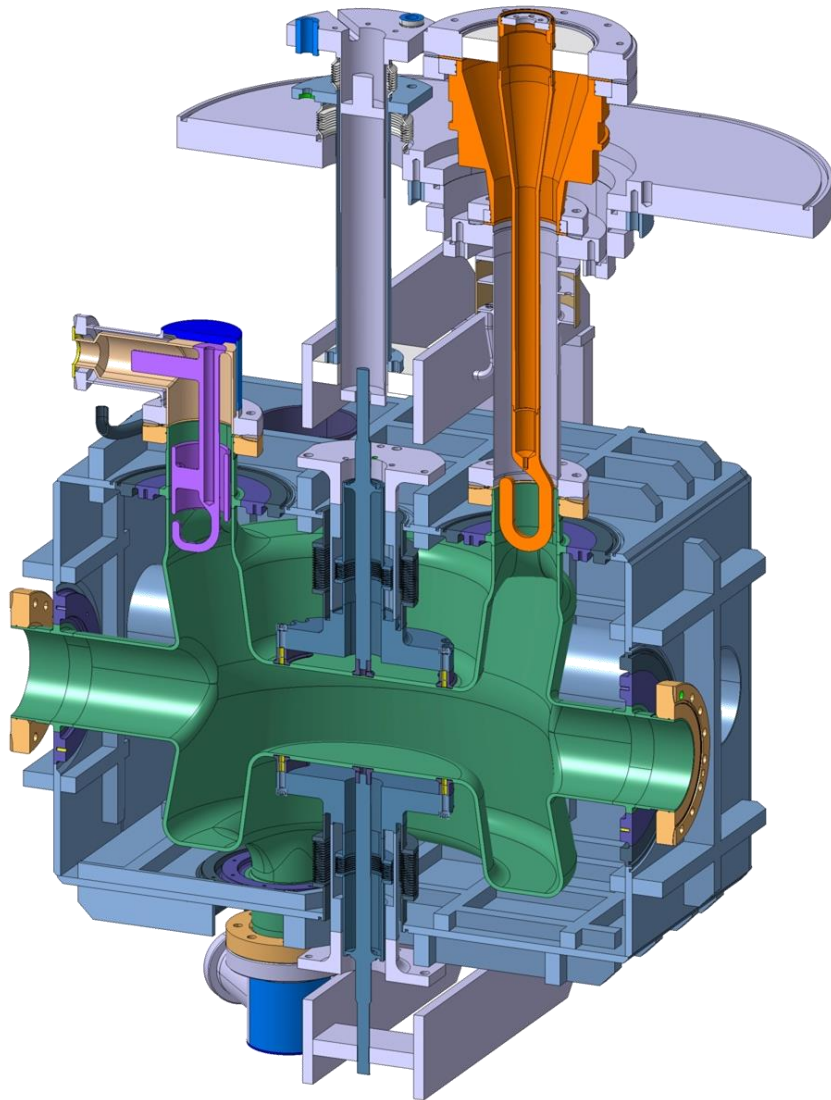


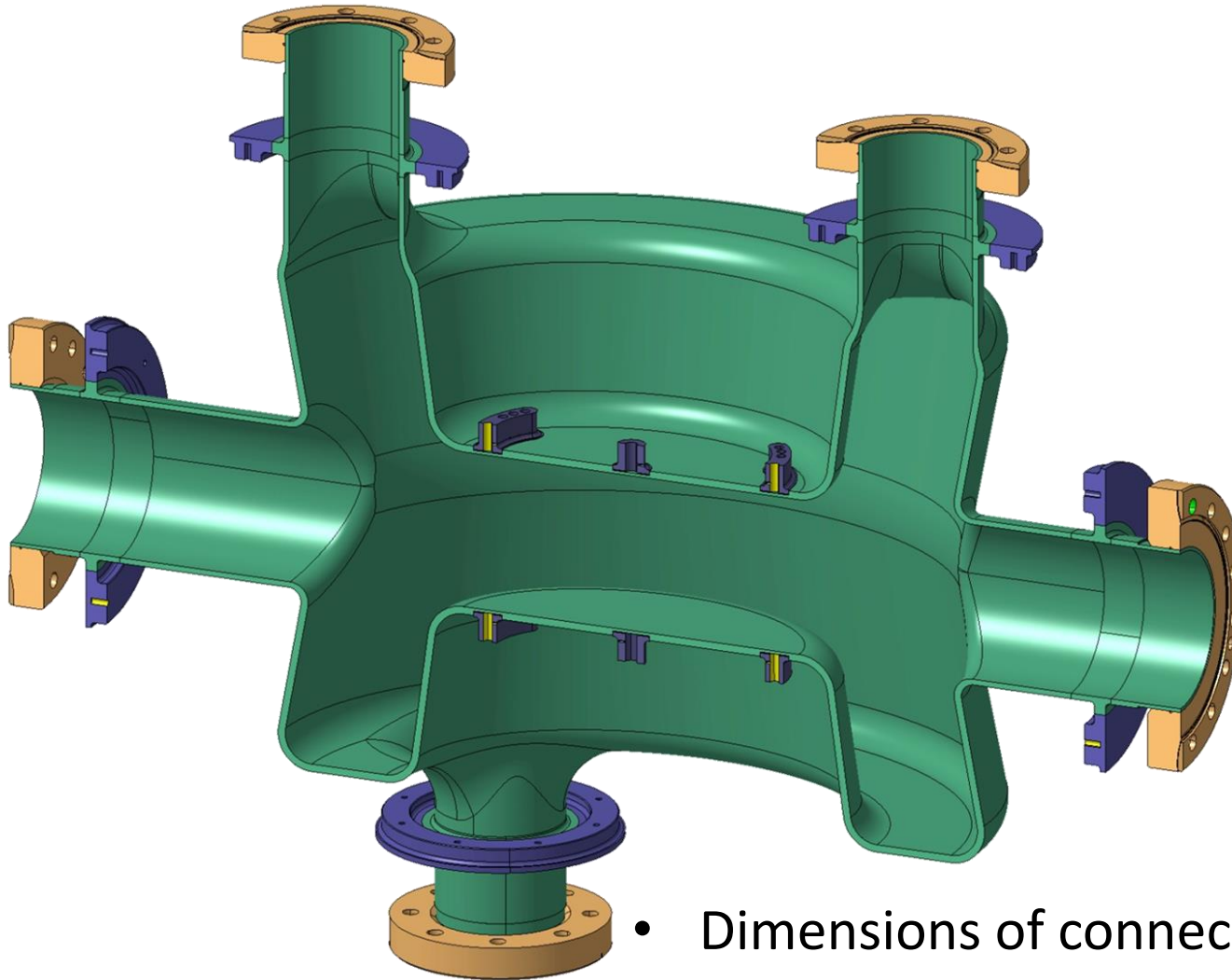
RFD 3D Model

<https://edms.cern.ch/document/1403967>



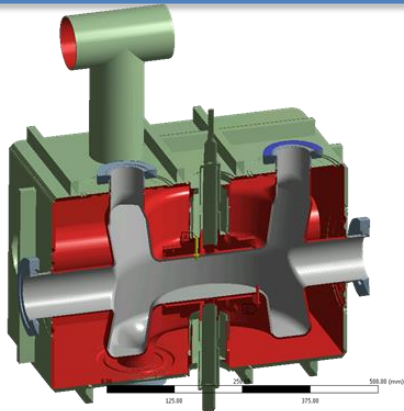
- Green : Nb
- Blue: NbTi
- Brown: SS



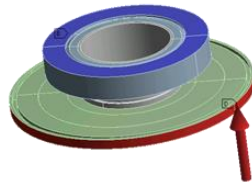
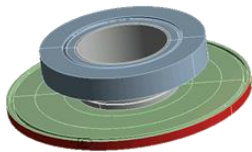


- Dimensions of connections to helium tank, tuning system determined by loading conditions

Static Structural
Time: 1.1
03/06/2014 02:28
Standard Earth Gravity: 9806.6 mm/s²
Fixed Support
Pressure: 6.12 MPa



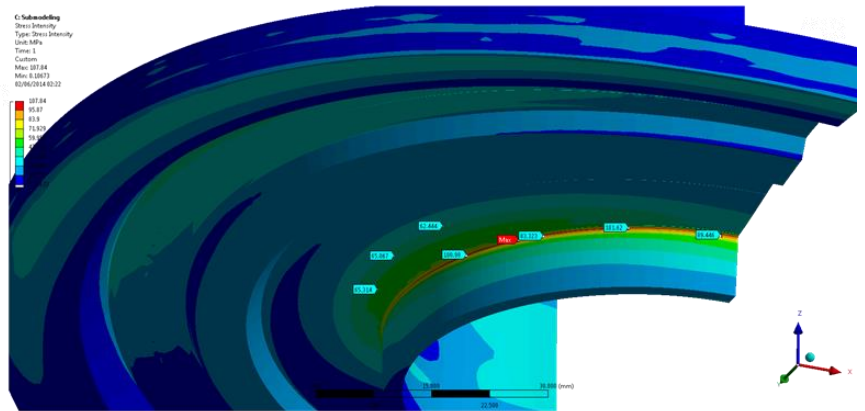
C Submodeling
Static Structural
Time: 1.1
03/06/2014 02:13
Impaired Contact Boundary Constraint
Fixed Support
Standard Earth Gravity: 9806.6 mm/s²
Pressure: 6.12 MPa



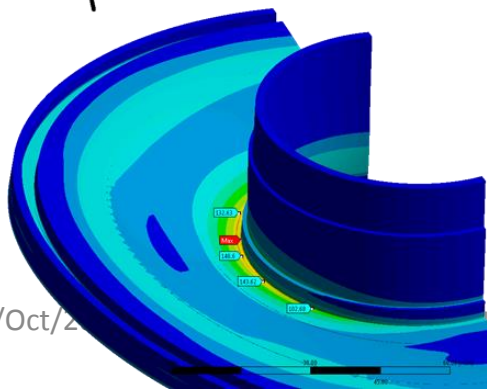
Submodeling
element size of mesh - 1mm



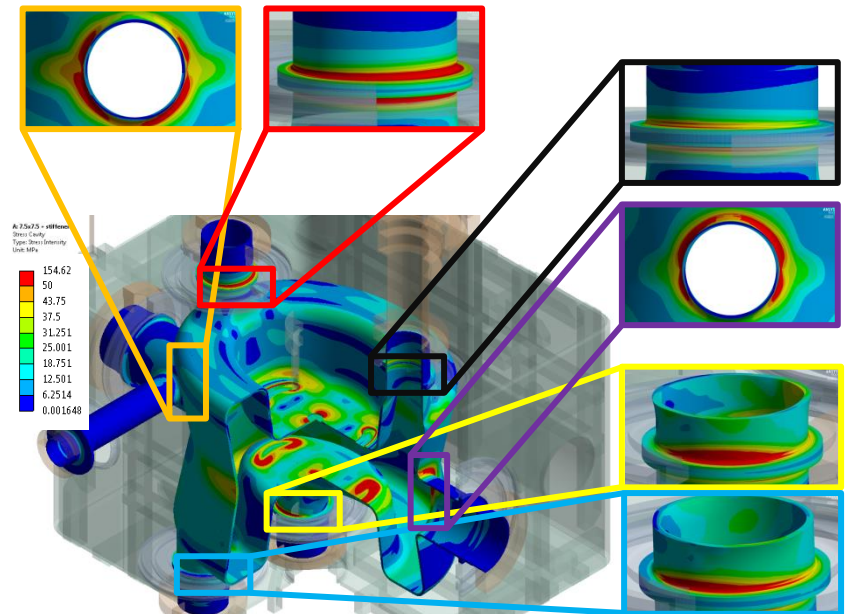
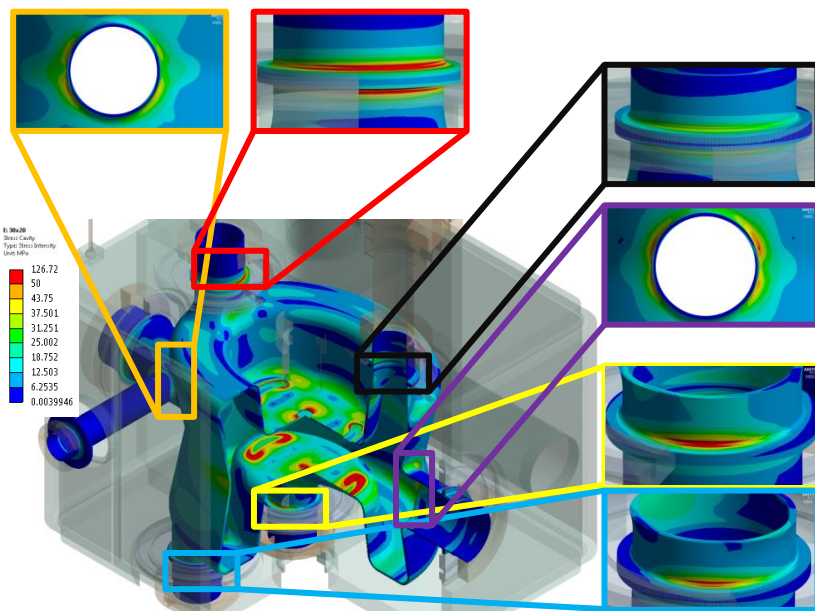
C Submodeling
Stress Intensity
Type: Stress Intensity
Unit: MPa
Time: 1
Custom
Min: 37.84
Max: 9.28E7
03/06/2014 02:22



C Submodeling
Stress Intensity
Type: Stress Intensity
Unit: MPa
Time: 1
Custom
Min: 193.36
Max: 8.69E7
03/06/2014 02:20



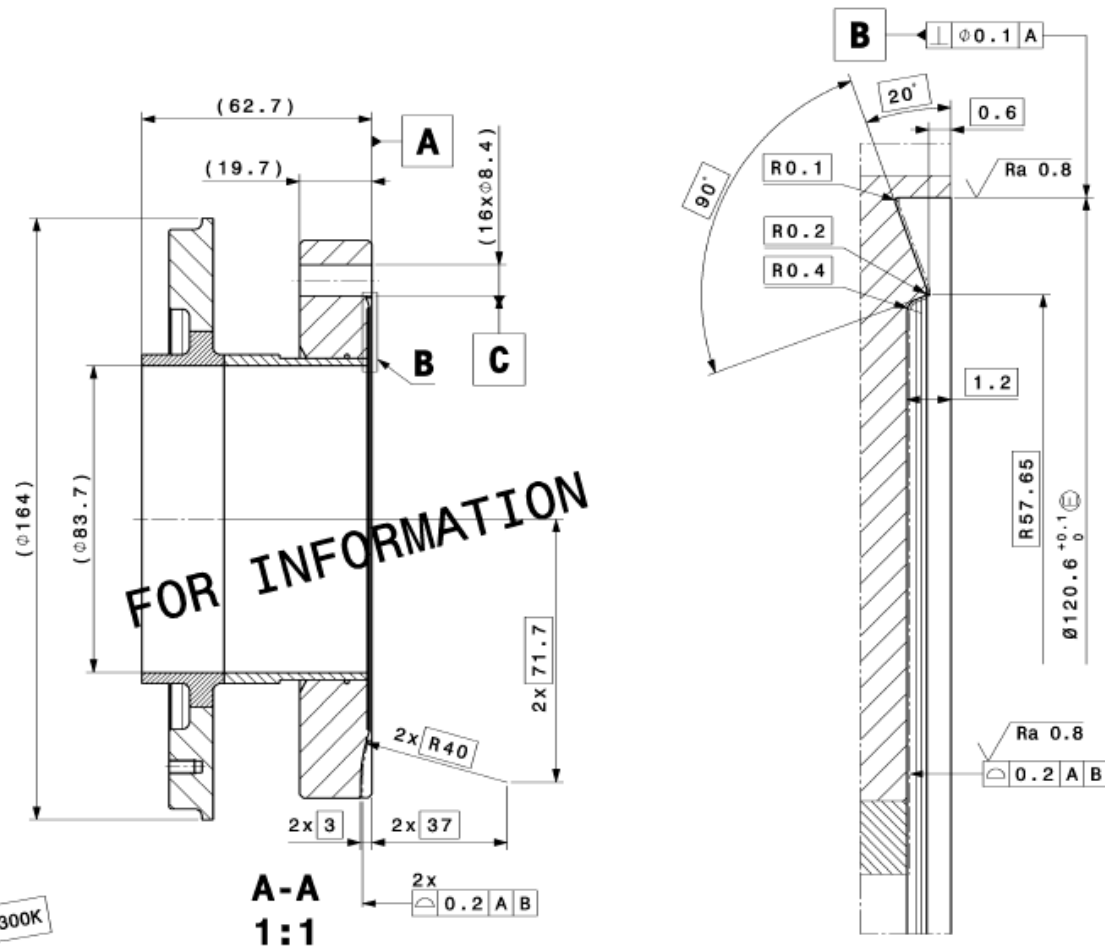
- Calculations results with different interface geometries (Norbert, HyeKyoung, Tom)



- Different cavity stress when different helium vessel rigidity (and interfaces)

- Cavity port drawing folder example:

<https://edms.cern.ch/document/1394258>



CERN, 1/1 ALL DIMENSIONS AT 300K