

Key:

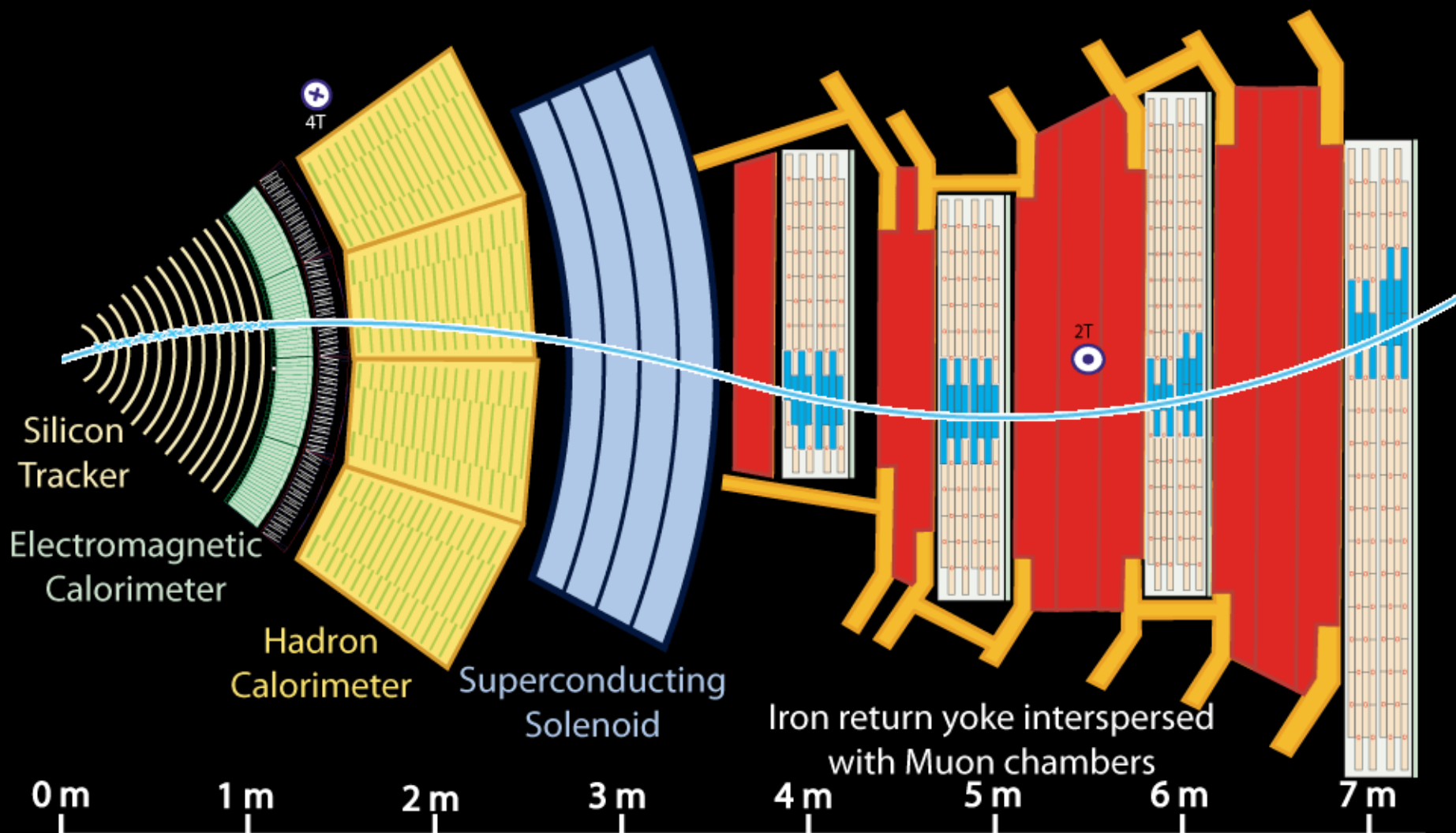
— Muon

— Electron

— Charged Hadron (e.g. Pion)

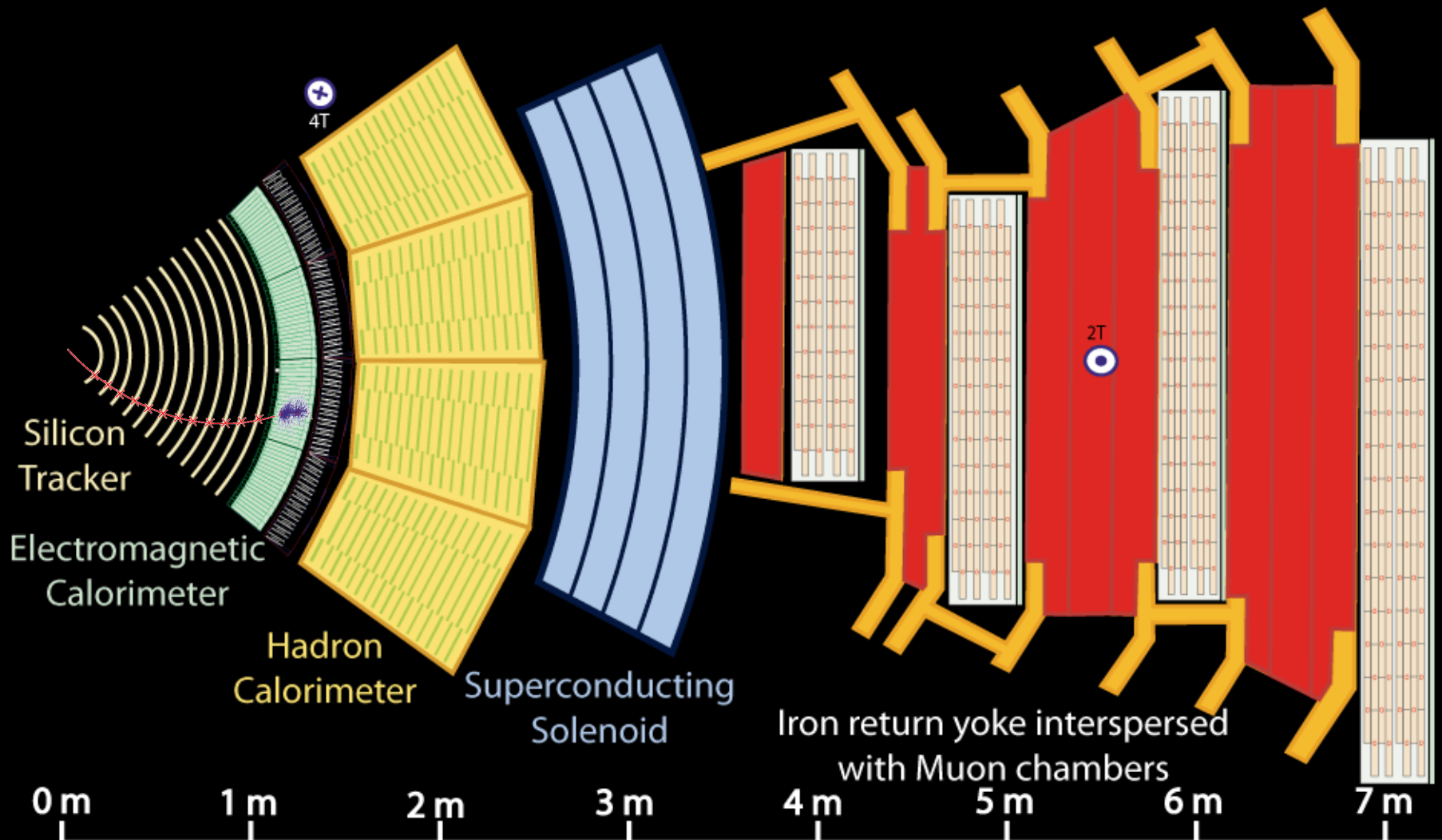
- - - Neutral Hadron (e.g. Neutron)

- - - Photon



Key:

- Muon
- Electron
- Charged Hadron (e.g. Pion)
- - - Neutral Hadron (e.g. Neutron)
- - - Photon



Key:

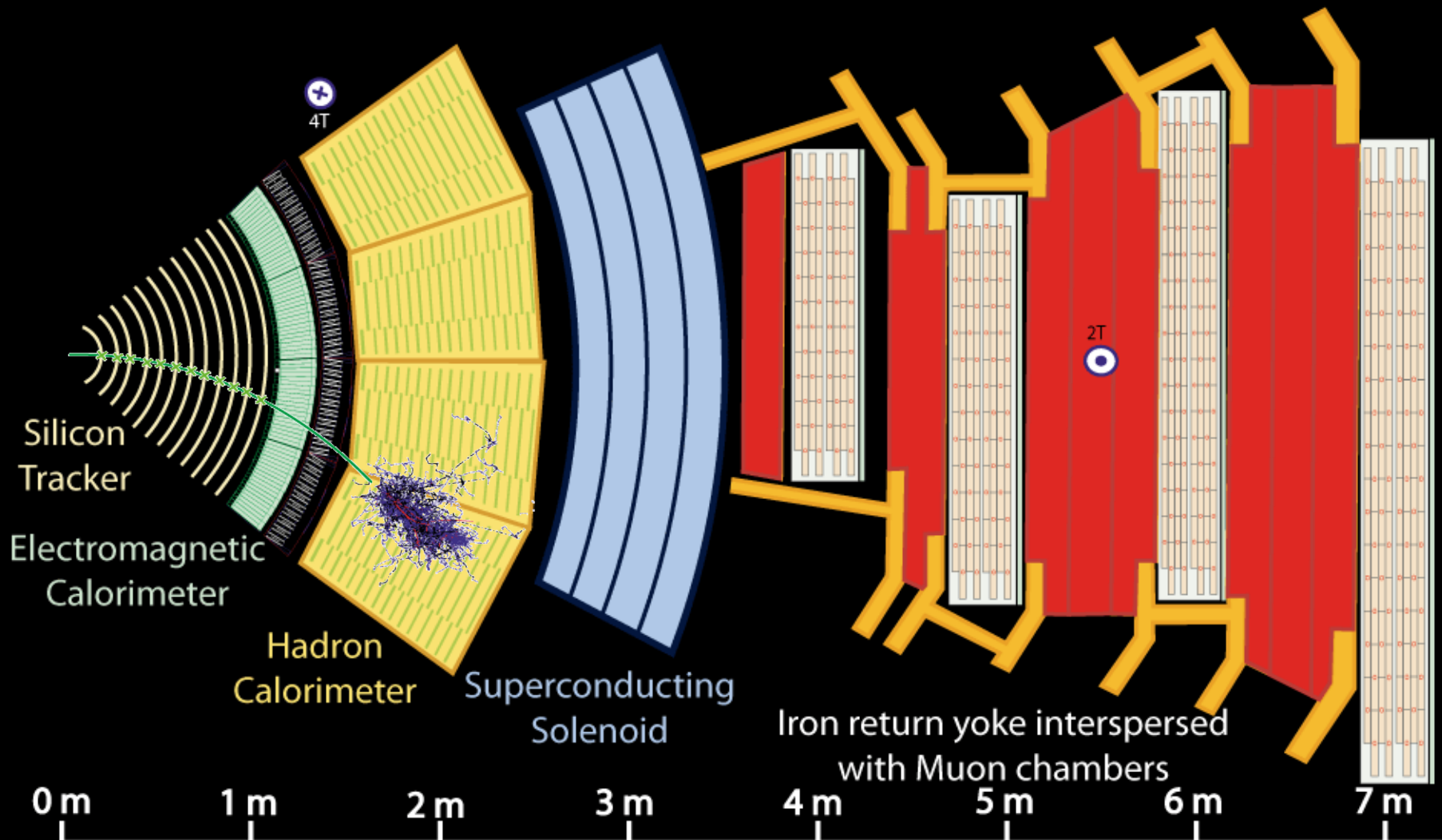
— Muon

— Electron

— Charged Hadron (e.g. Pion)

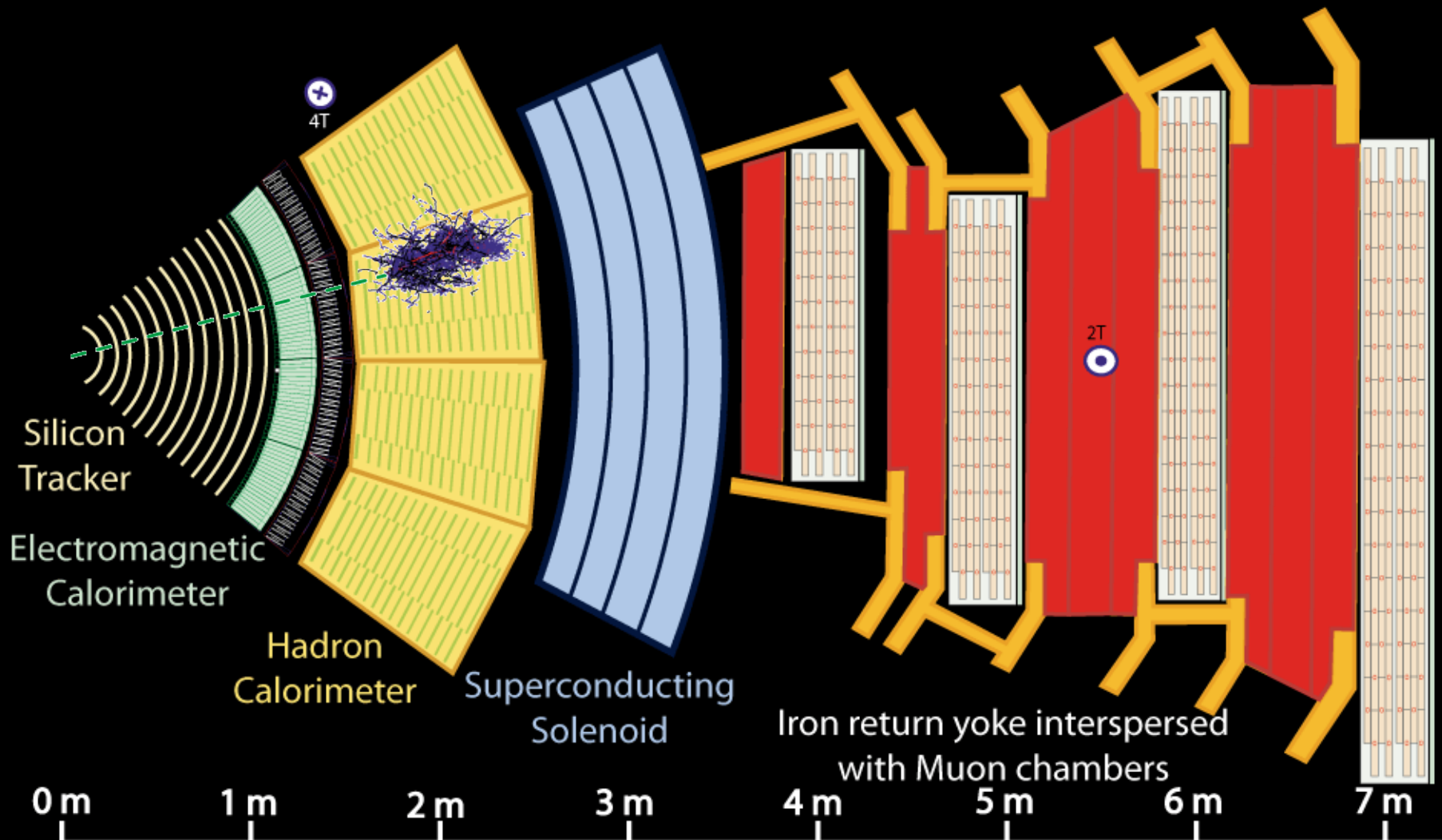
- - - Neutral Hadron (e.g. Neutron)

- - - Photon



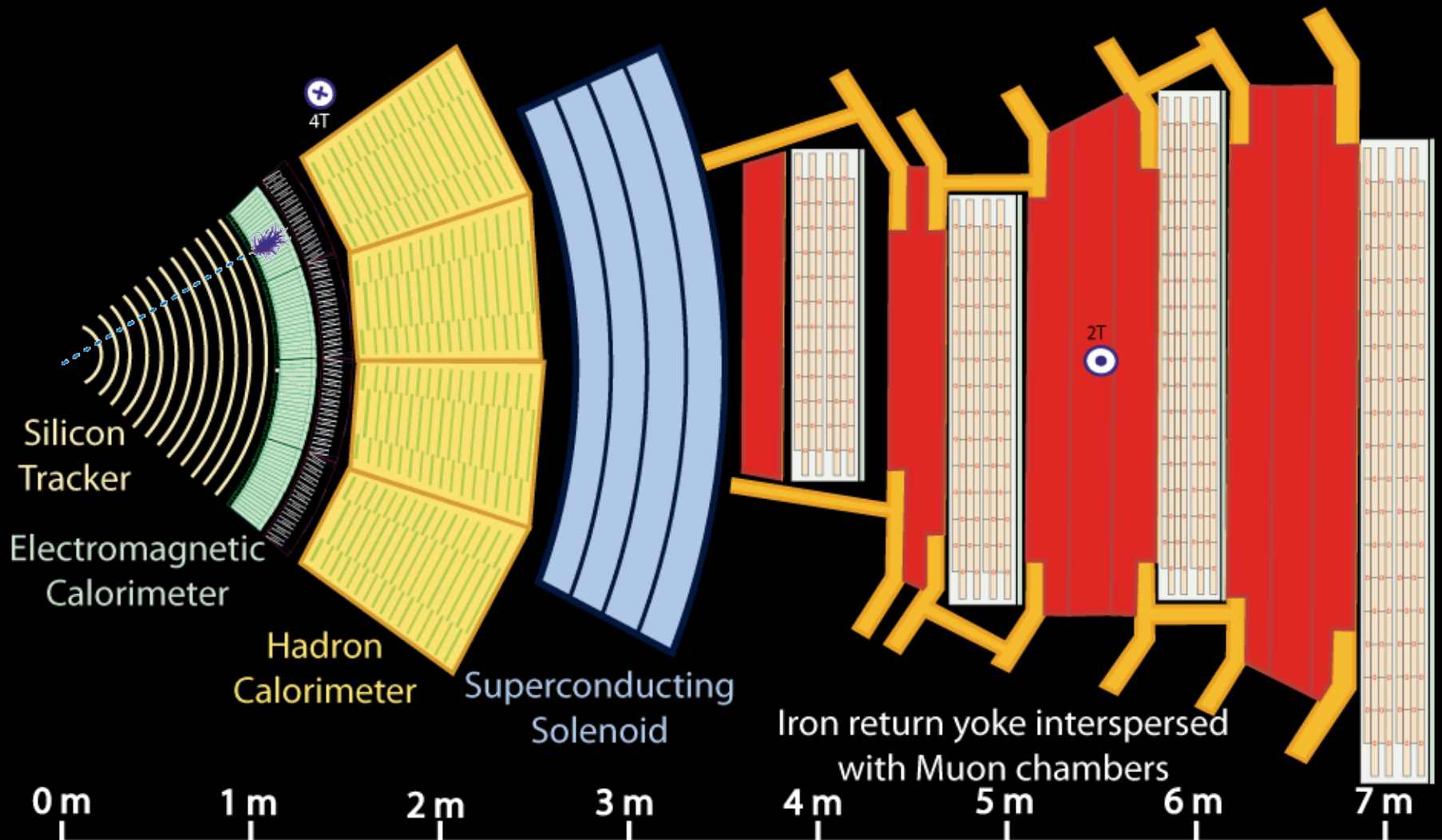
Key:

- Muon
- Electron
- Charged Hadron (e.g. Pion)
- - - Neutral Hadron (e.g. Neutron)
- - - Photon



Key:

- Muon
- Electron
- Charged Hadron (e.g. Pion)
- - - Neutral Hadron (e.g. Neutron)
- - - Photon



Key:

— Muon

— Electron

— Charged Hadron (e.g. Pion)

- - - Neutral Hadron (e.g. Neutron)

- - - Photon