

# 3D graphic representation of Atlas Detector in web browser

Presenter

**Lasha Phataridze**

Co-presenter

**Besik Kekelia**



European  
Organization for  
Nuclear  
Research



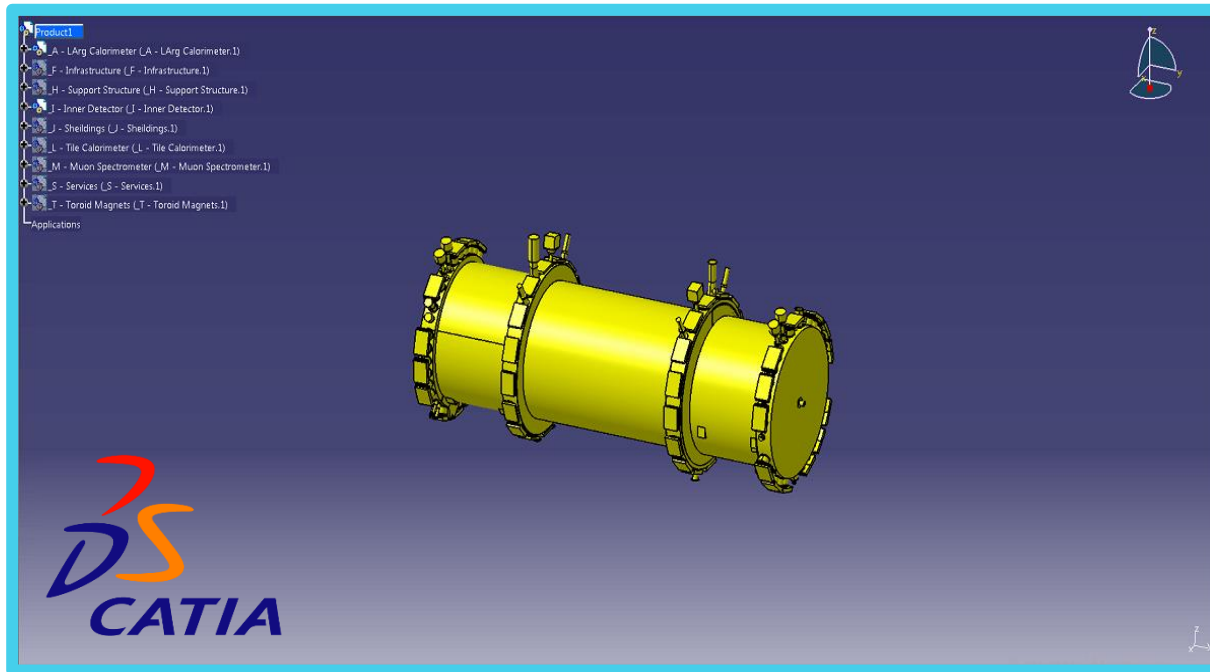
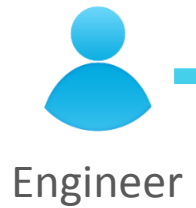
Georgian  
Technical  
University

# Preview

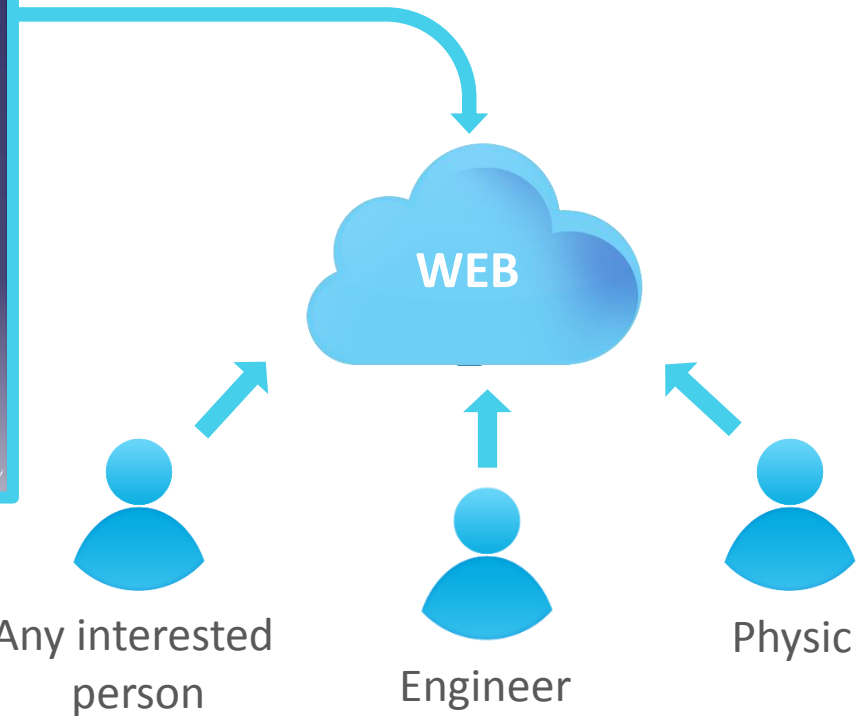
- 1) What is our goal
- 2) What are we doing?
- 3) What kind of problems we have
- 4) Our plans for future

# What is our goal

Make browsing of 3D models available for everyone



Engineering software



# What are we doing?

## Step 1

Prepare model for including in PDF

## Step 2

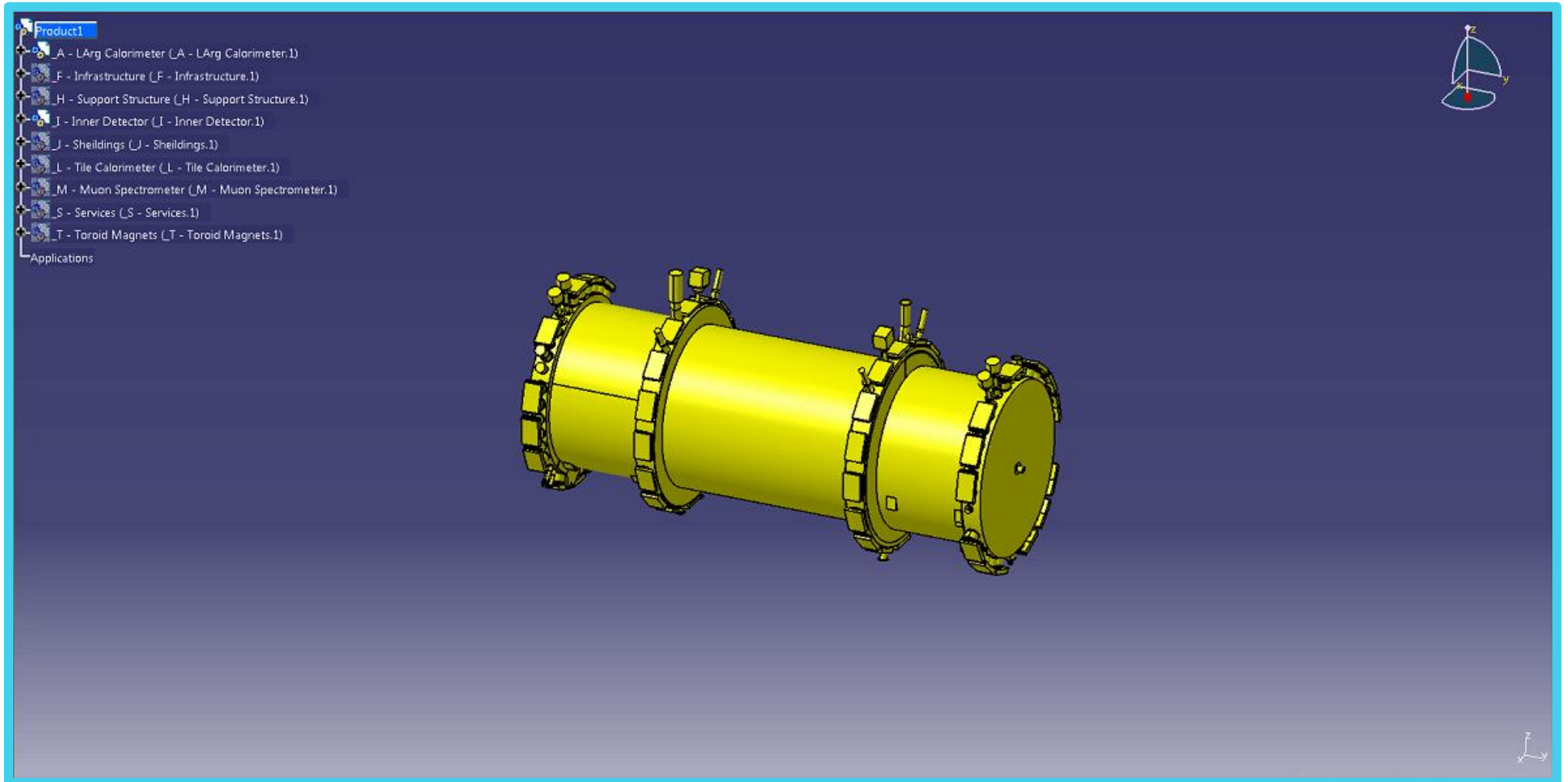
Inserting and designing model in PDF

## Step 2

Embedding PDF in HTML

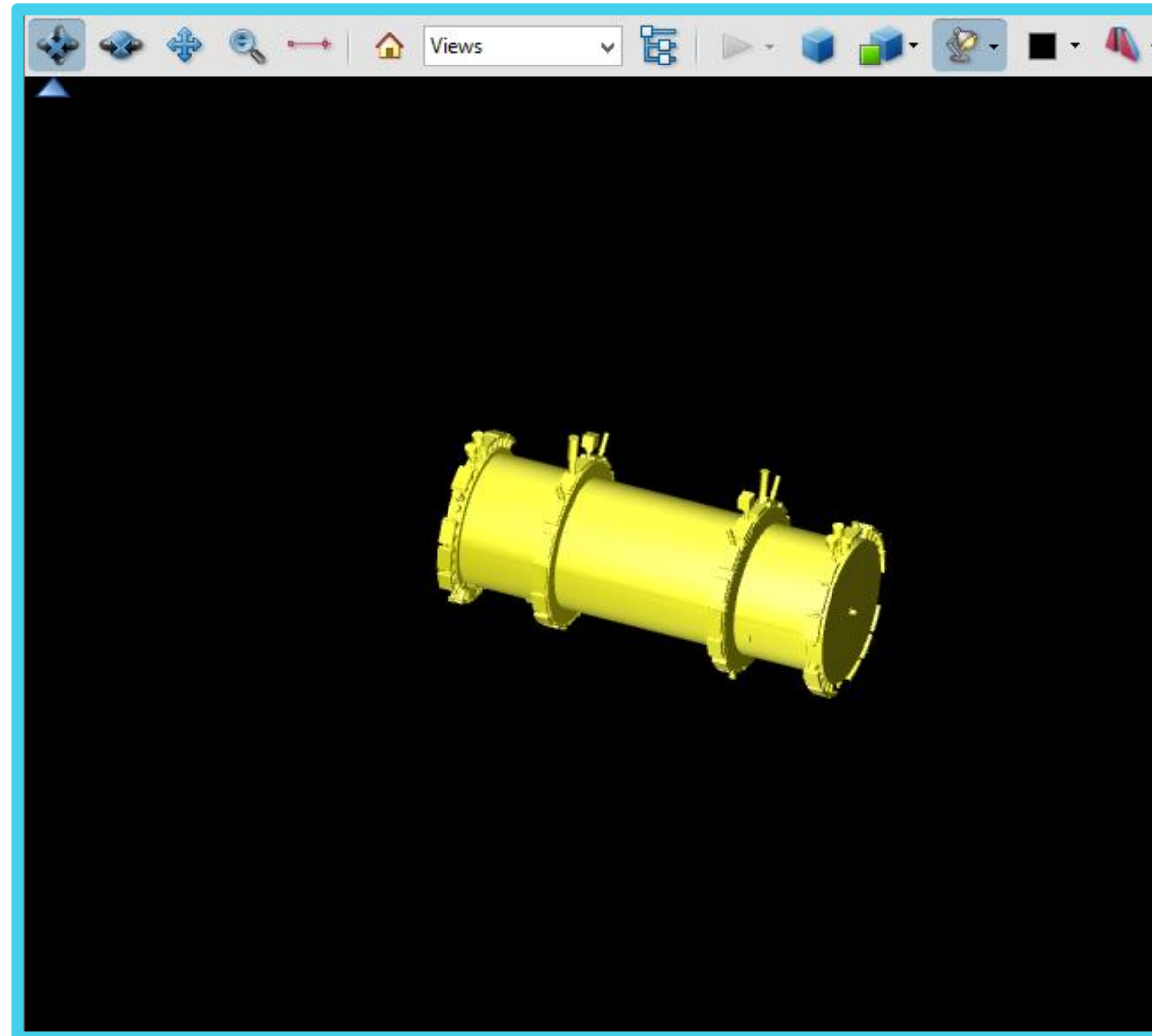
# What are we doing?

## Step 1



# What are we doing?

## Step 2

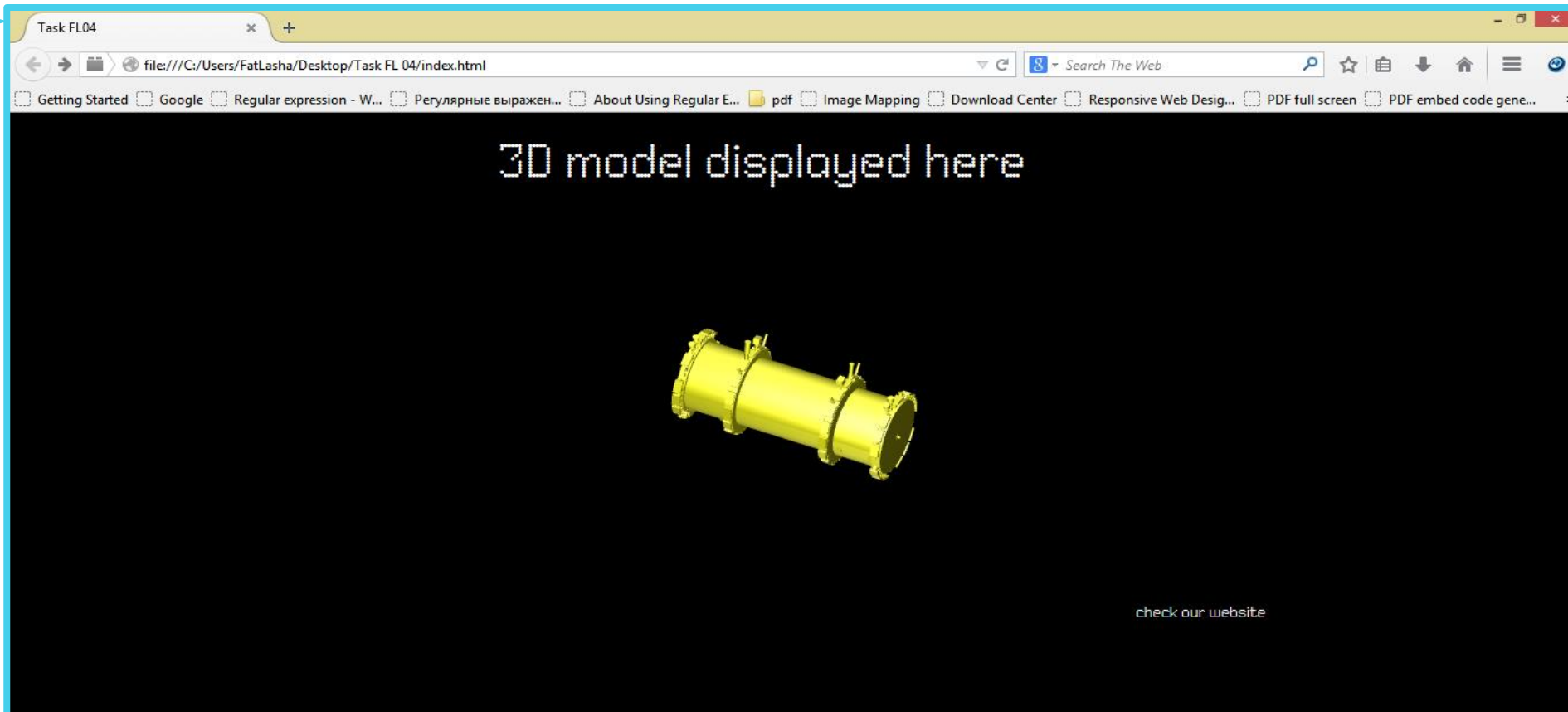


# What are we doing?

## Step 3

```
<object data="pdf/A-LArg Calorimeter.pdf" type="application/pdf"></object>
```

HTML



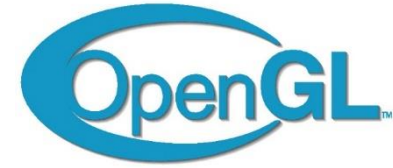
Web  
browser

# What kind of problems we have

- Browser do not supports Adobe Acrobat
- Adobe Acrobat format supporting
- Program is not used in browser
- Problems with large files
- Application not installed



# Our plans for the future



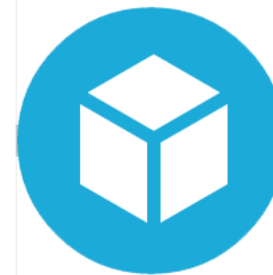
blend4web



three.js



ALTADYN®



**Thanks for your attention**