

ADRIAN SANCHEZ

Supervisor: Dr. Tiesheng Dai

ATLAS Experiment

Fall Intern

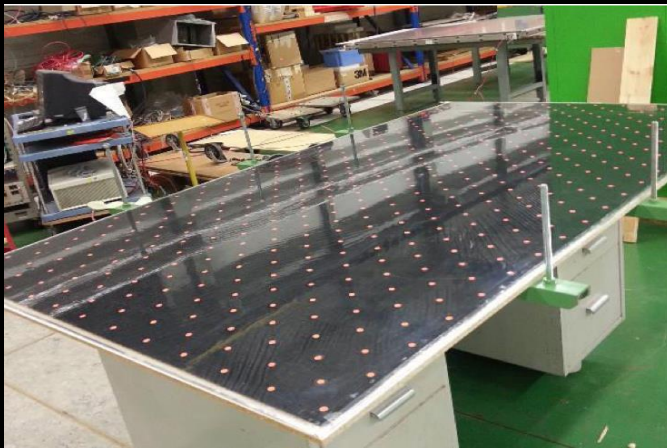
ATLAS EXPERIMENT

- Look for asymmetry between matter and anti-matter
- Hope for micro black holes

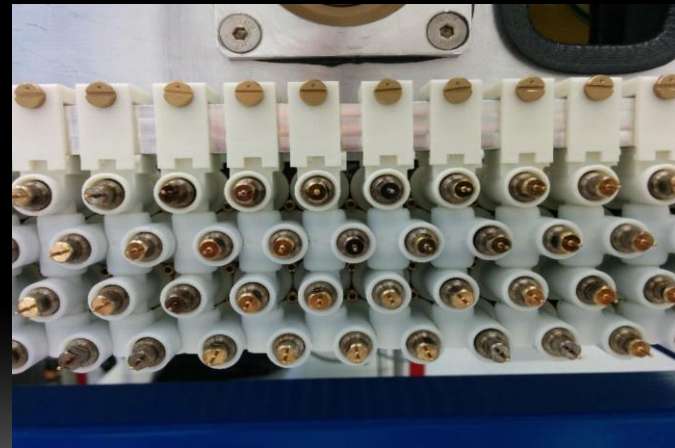
HOW DO I PLAY A ROLE? WHAT'S MY GOAL?

- I am to install and commission the read out electronics for the RPCs in the BME and BOE
- I am to commission the MDT Chambers in the same regions
- Goal is to install and commission what I have been assigned and possibly take on more projects

Resistive Plate Chamber

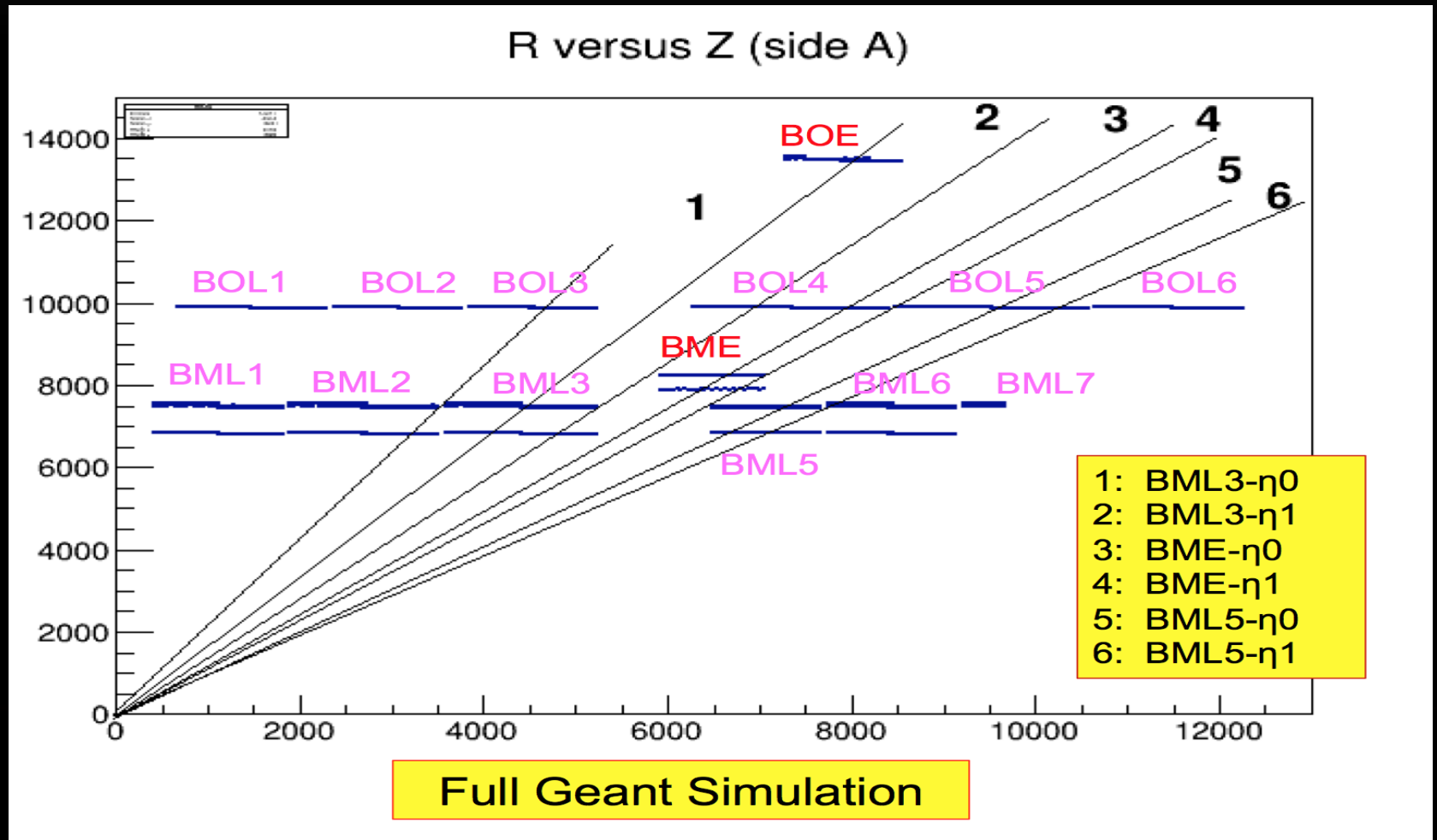


Monitored Drift Tube



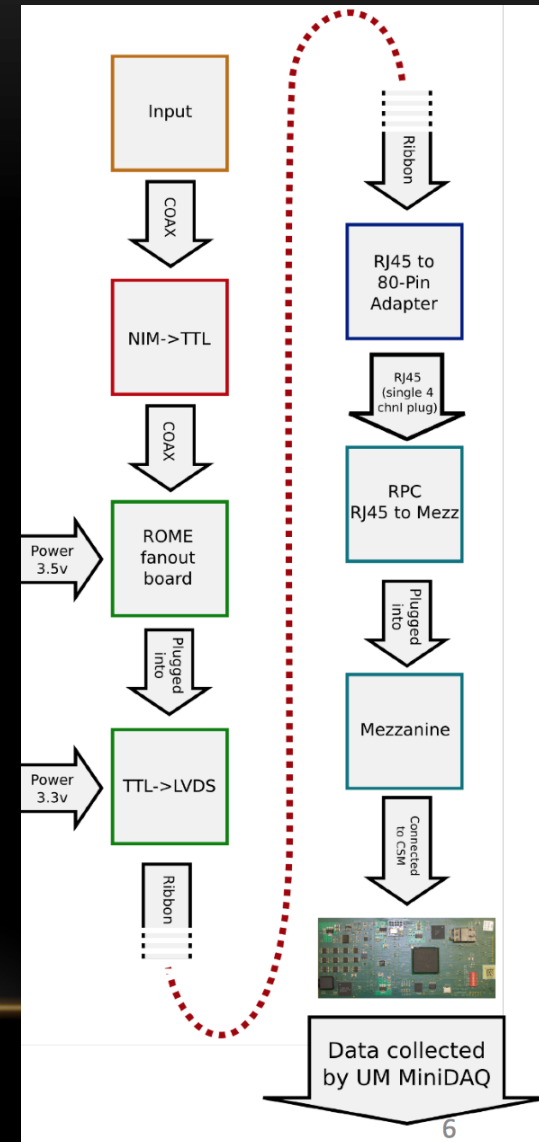
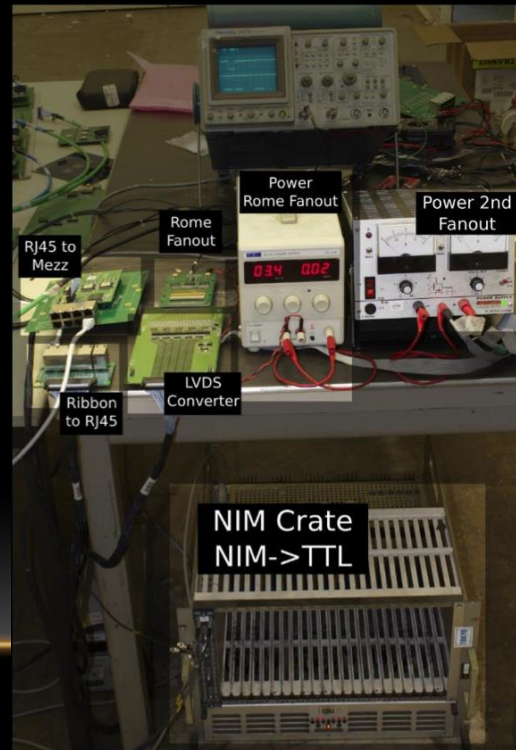
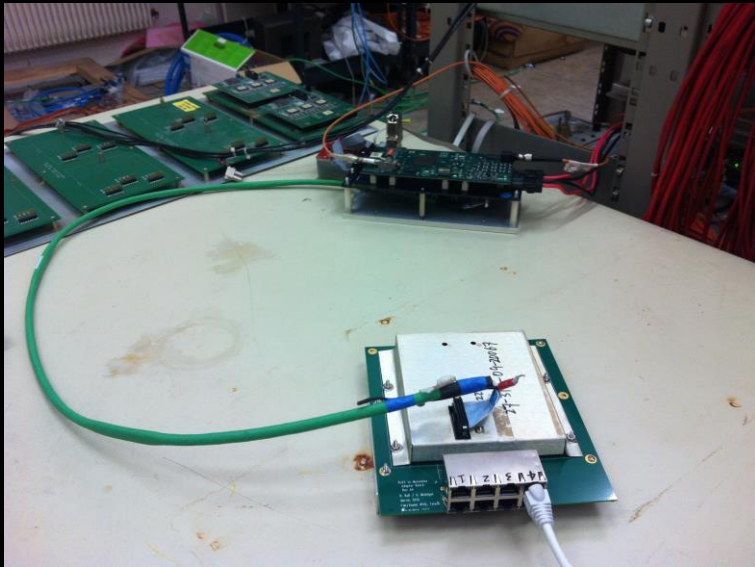
WHY THE BOE AND BME?

- Better coverage



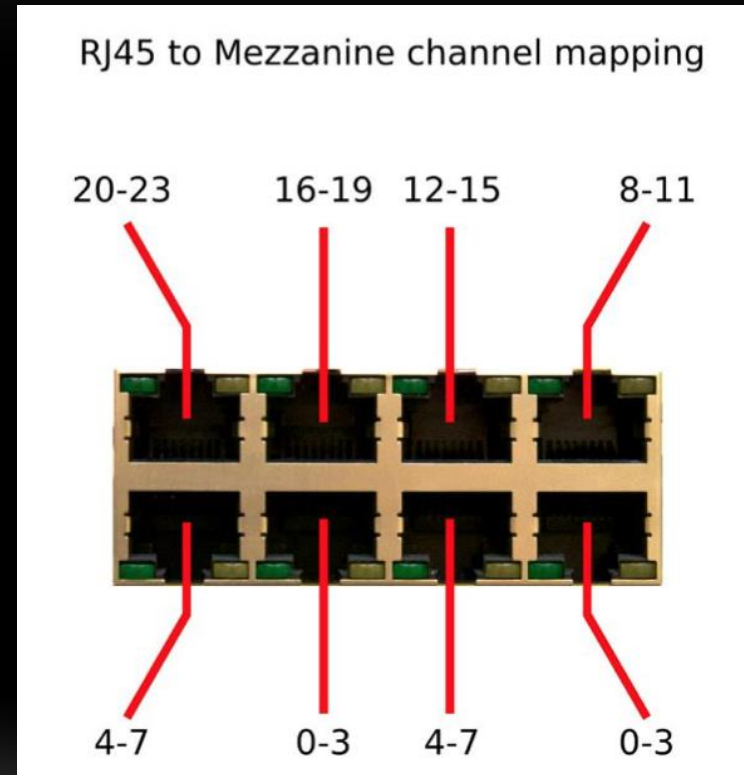
MAPPING OUT CHANNELS: RJ45 TO MEZZANINE ADAPTER

- Send signal to each port of the RJ45 to Mezzanine Adapter
- Use UM MiniDAQ



MAPPING OUT CHANNELS: RJ45 TO MEZZANINE ADAPTER

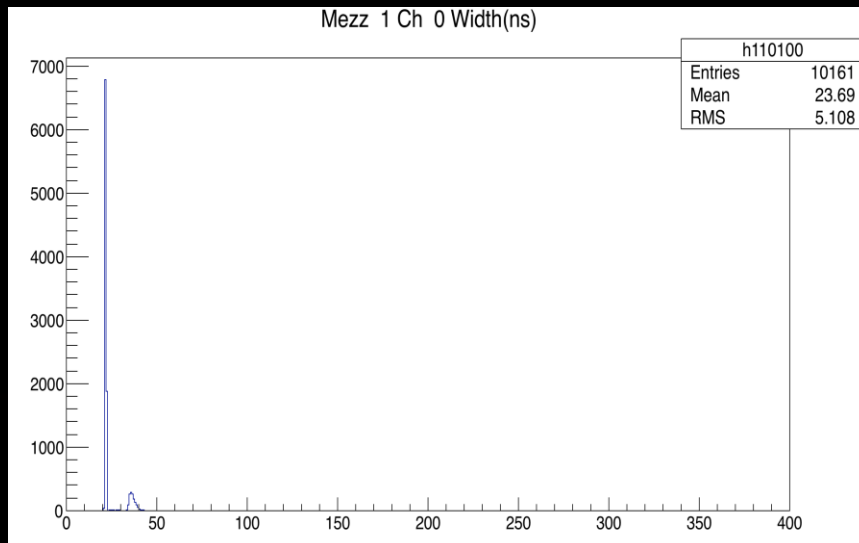
- Root code written to filter information
- Channels were mapped out
- Problem encountered with signal reflection



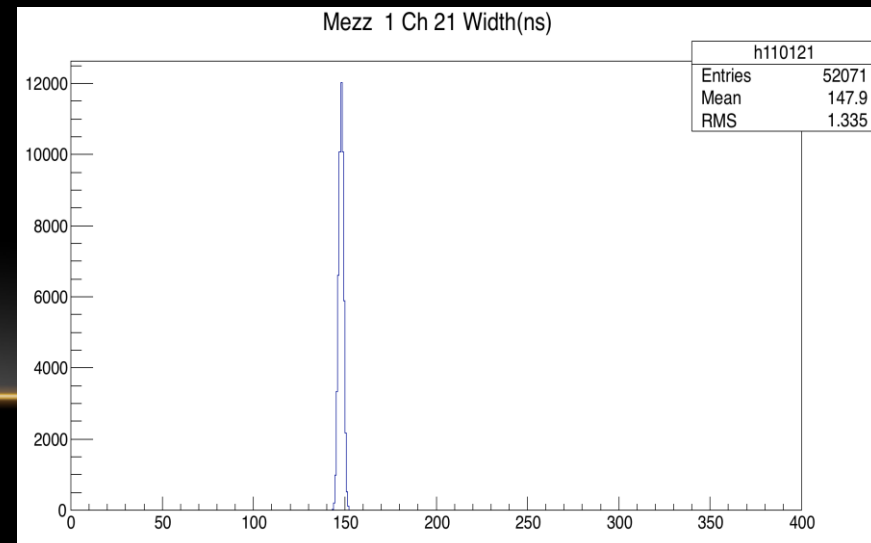
SIGNAL REFLECTION

- Signal reflection prominent
- Reflection primarily in channels 0 and 8: ranges 10,000-25,000 entries for 50,000 events
 - Reflection observed in 80/80 tests
- If signal is sent to channels 16-19; reflection is seen in channels 0,8,14,22
 - Observed in 7/8 tests

Signal Reflected

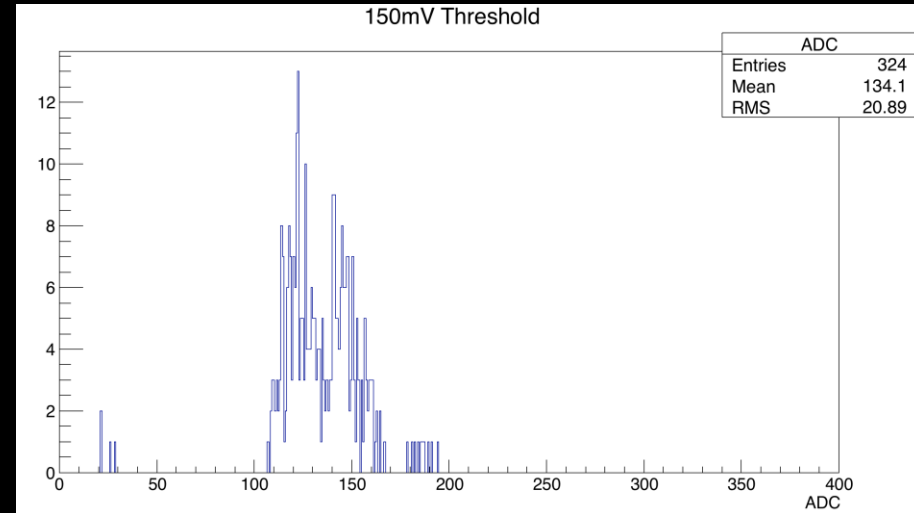
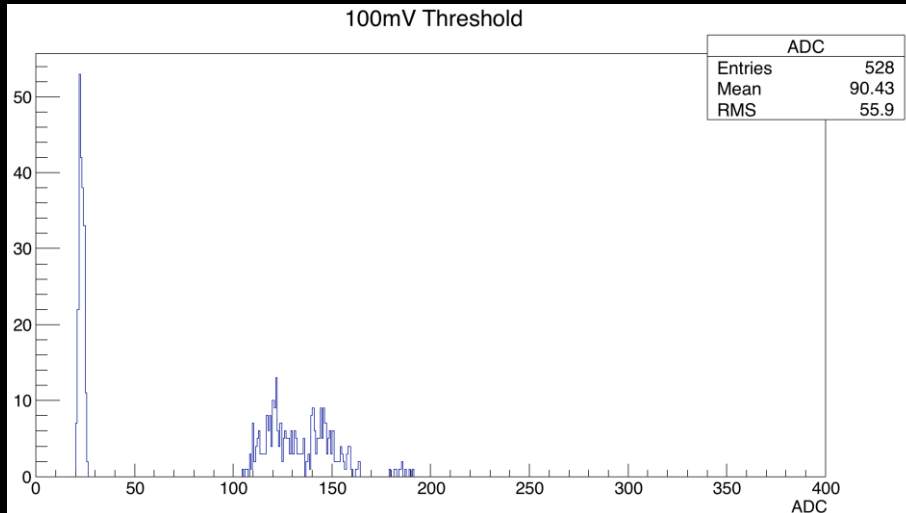


Good Signal



SIGNAL REFLECTION REDUCTION

- Increase the ASD Chip Threshold from 100 mV to 150mV
 - Increasing threshold lowers the signal reflection entries



TDC SHIFT: OLD VS. NEW FIRMWARE

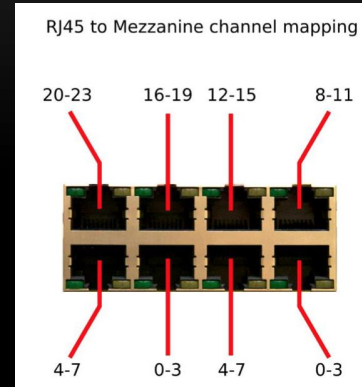
- New firmware to be implemented, want to know how TDC shift is affected
 - Wrote root code to compare TDC shifts
 - Found time shift in old firmware
 - Only need new firmware to do tests

Output text file of code

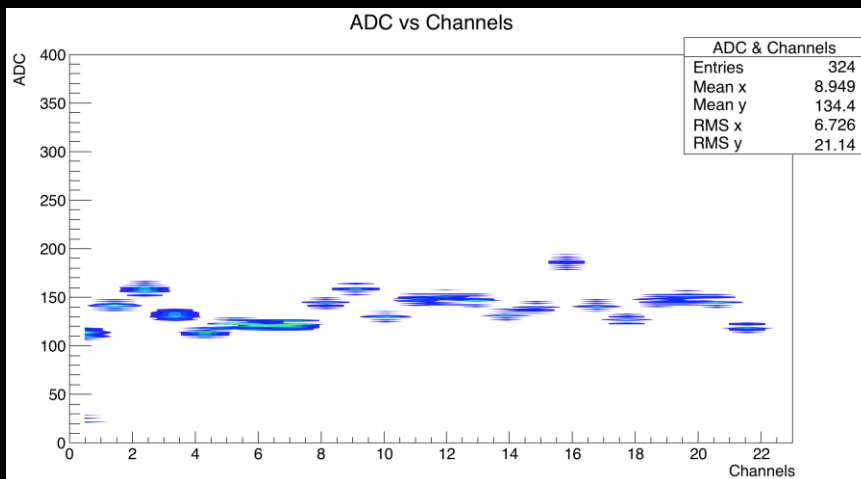
```
All TDC shifts are in nanoseconds
Mezzanine 0: 0.00120036
Mezzanine 1: 0.0319214
Mezzanine 2: 0.047526
Mezzanine 3: 0.00557454
Mezzanine 4: 0.00756836
Mezzanine 5: 0.00590006
Mezzanine 6: 0.0128377
Mezzanine 7: 0.0153605
Mezzanine 8: 0.0262248
Mezzanine 9: 0.0494995
Mezzanine 10: 0.00996908
Mezzanine 11: 0.0137329
Mezzanine 12: 0.0111084
Mezzanine 13: 0.0146077
Mezzanine 14: 0.128743
Mezzanine 15: 0.0143026
Mezzanine 16: 0.0175578
Mezzanine 17: 0.0244548
```

ADC AND MEZZANINE CHANNEL RELATIONSHIP

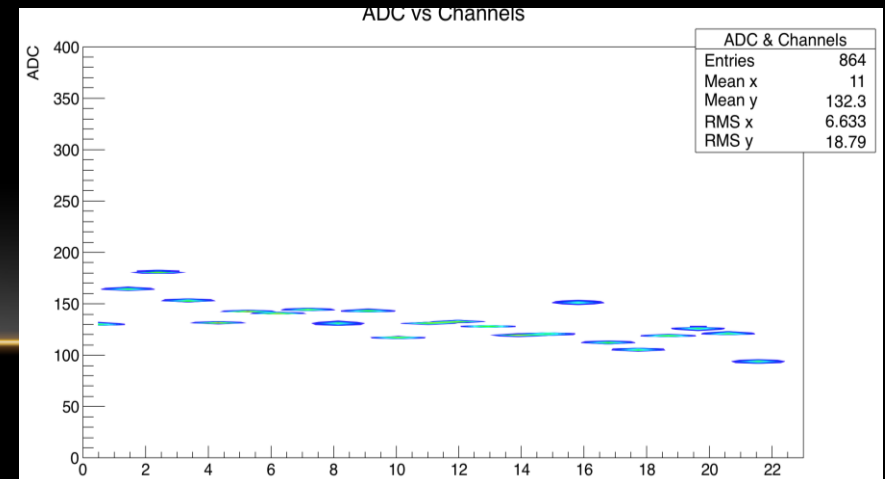
- Saw an inverse relationship between channel and ADC with all ports used
- Behavior is normal
 - 32 Inputs and 24 outputs
 - Some of the outputs receive two signals, instead of a one to one
 - The ones which receive two signals are the lower channels



RJ45 to Mezzanine: 1 Port Used



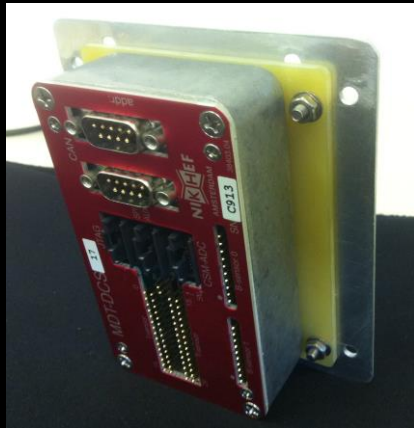
RJ45 to Mezzanine: All Port Used



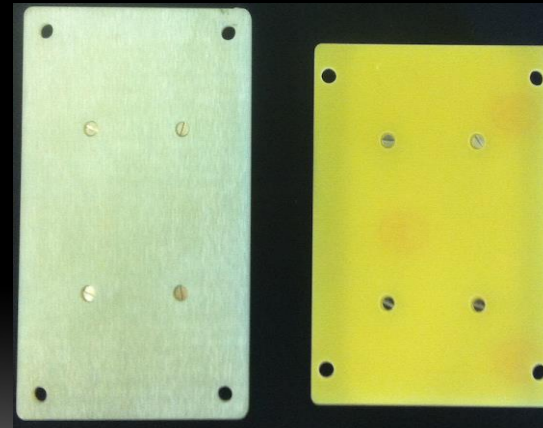
MDM MOUNTING

- Two MDM mounting frames and only one fits BME Service Frame
- Solution: Making aluminum interface universal to all MDM frames
 - Easy to machine
 - Does not put the BME Service Frame at risk

MDM with Aluminum Interface



Two MDM Mounting Frames



INSTALLATION PROGRESS

- BME side A has MDM, CSM and CSM Motherboard and one Mezzanine Board mounted
- BME side C has MDM mounted

BME Side A



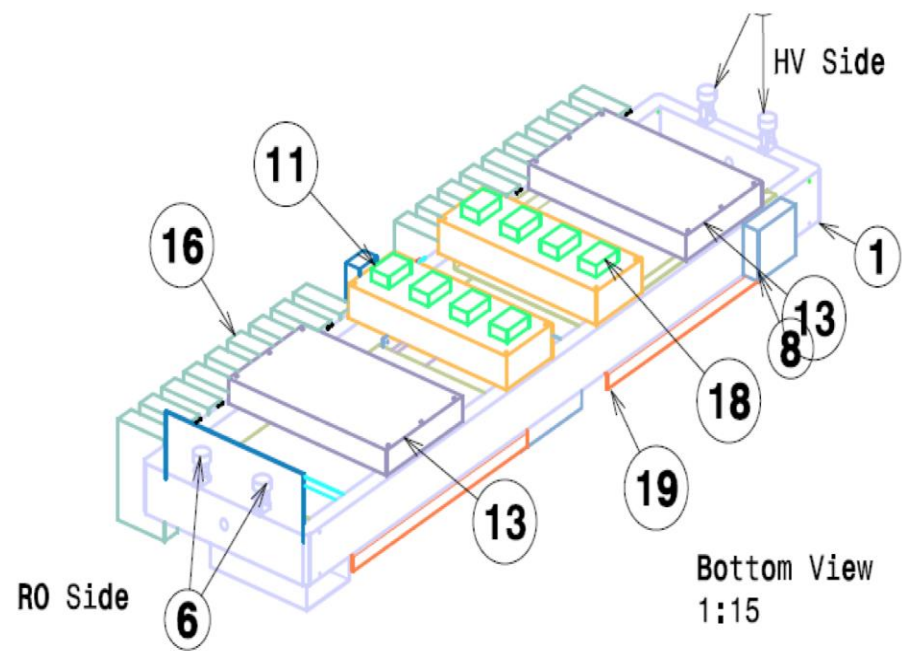
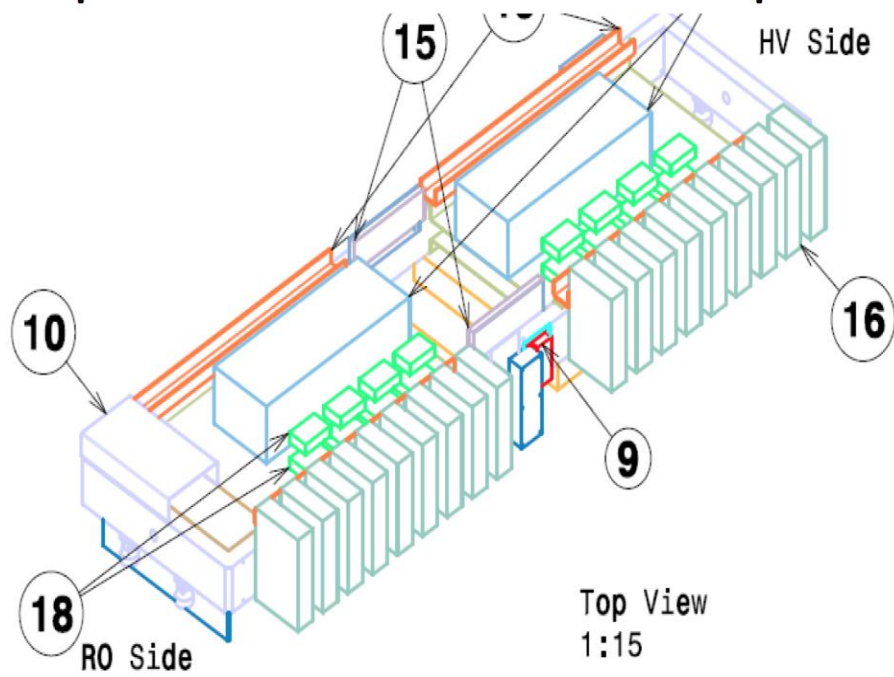
BME Side C



PREDICTIONS

- Commissioning is predicted to commence in November

What the BME will look like



SOCIAL EXPERIENCE

- Hiking in Bern
- Saw the Einstein Haus



SOCIAL EXPERIENCE

- Also saw a man dressed as a duck asking for money



WHAT CAN BE DONE TO HELP ME?

- Is it possible to take a course in particle physics while at CERN that is separate from our institutions, so we don't have to pay tuition

SIDE NOTE

- I helped move Big Wheel A

