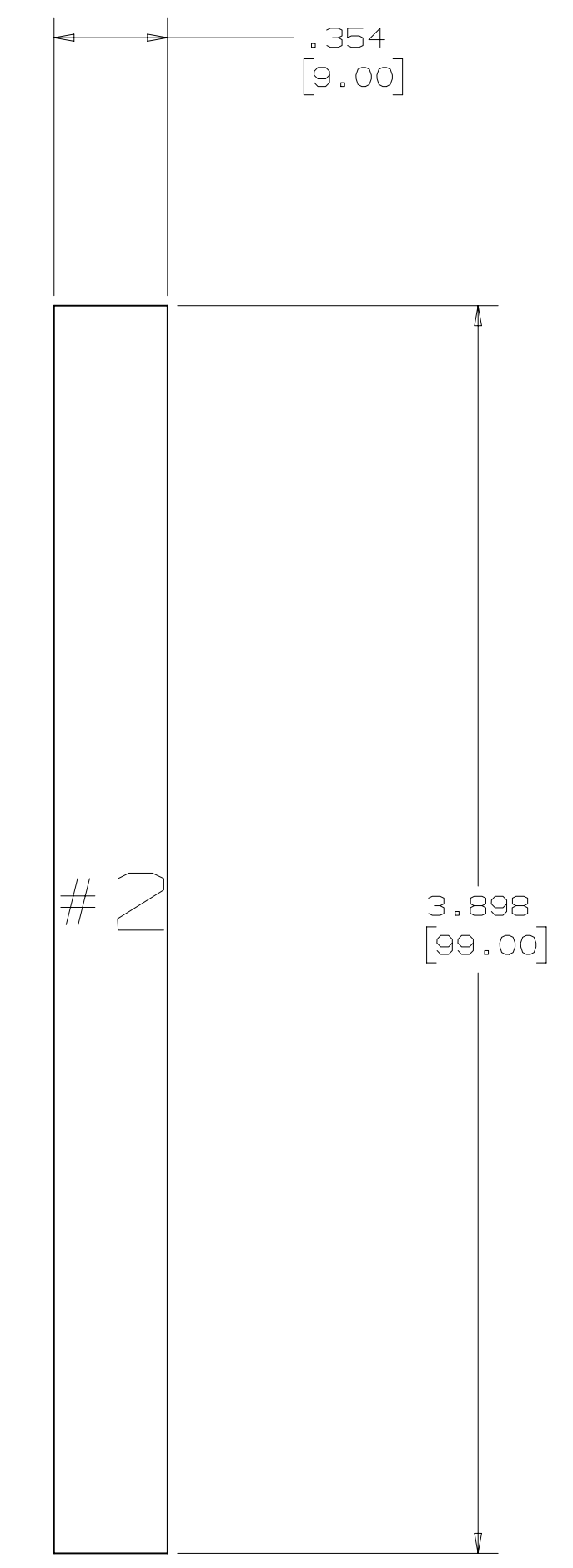
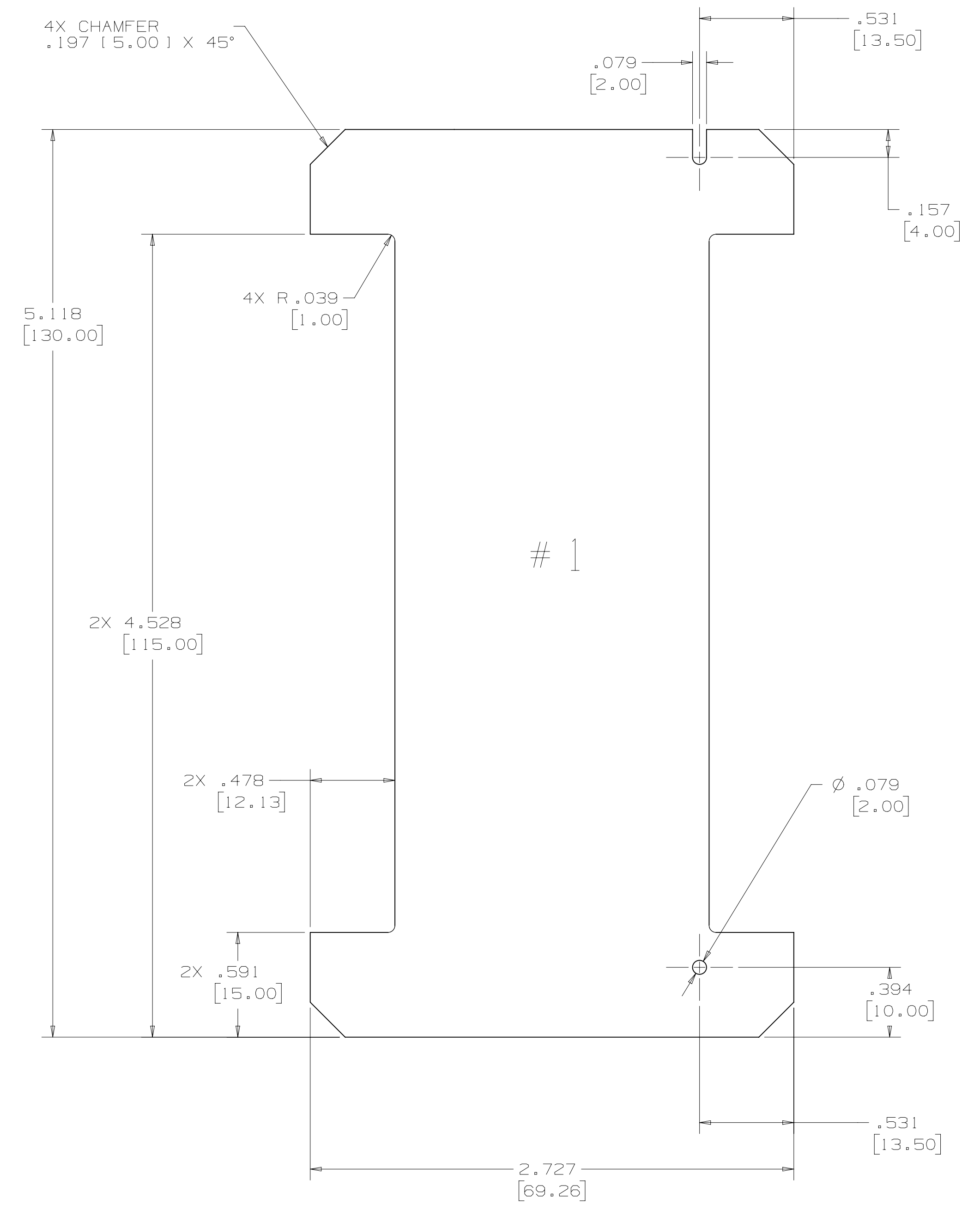
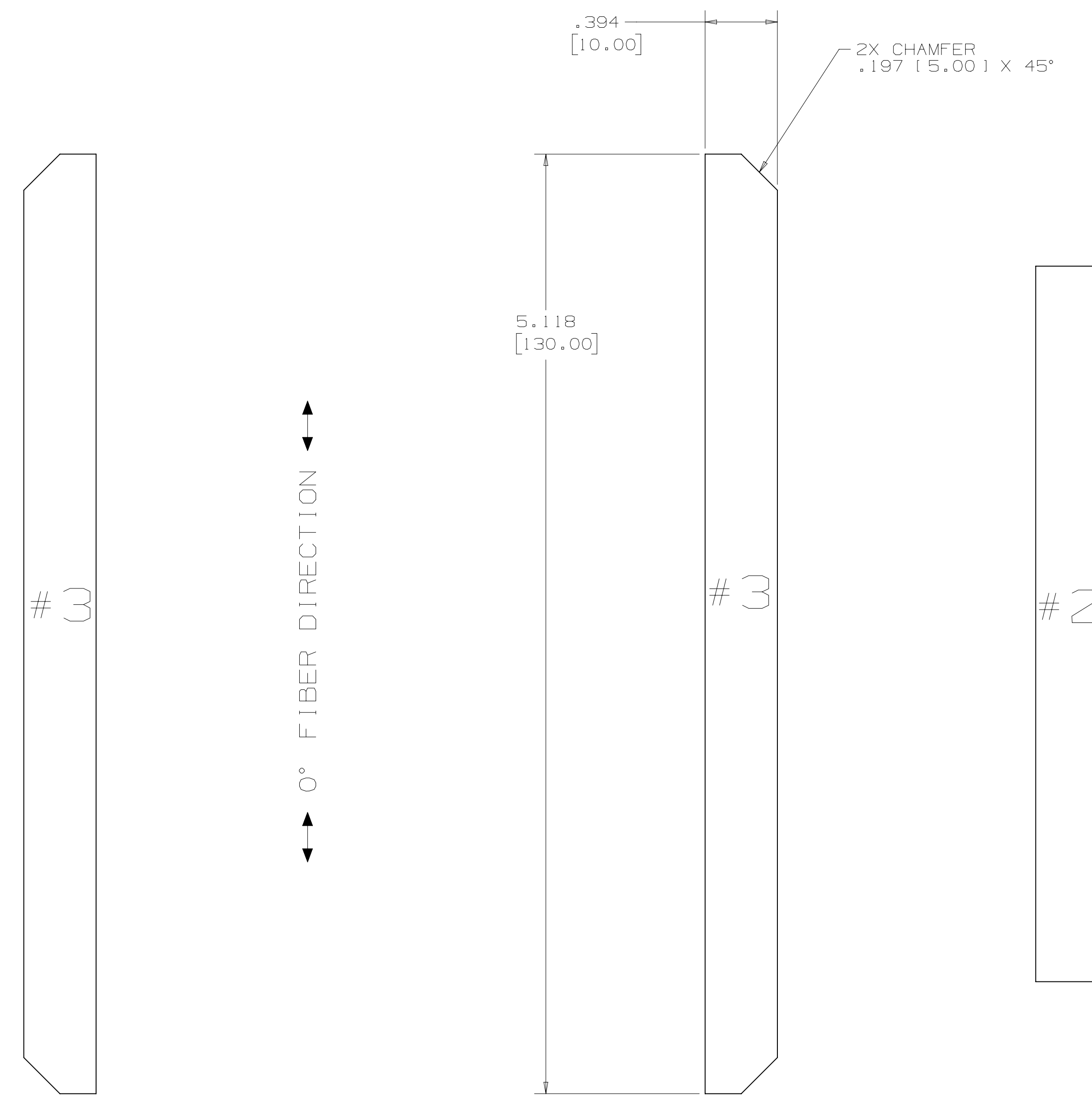
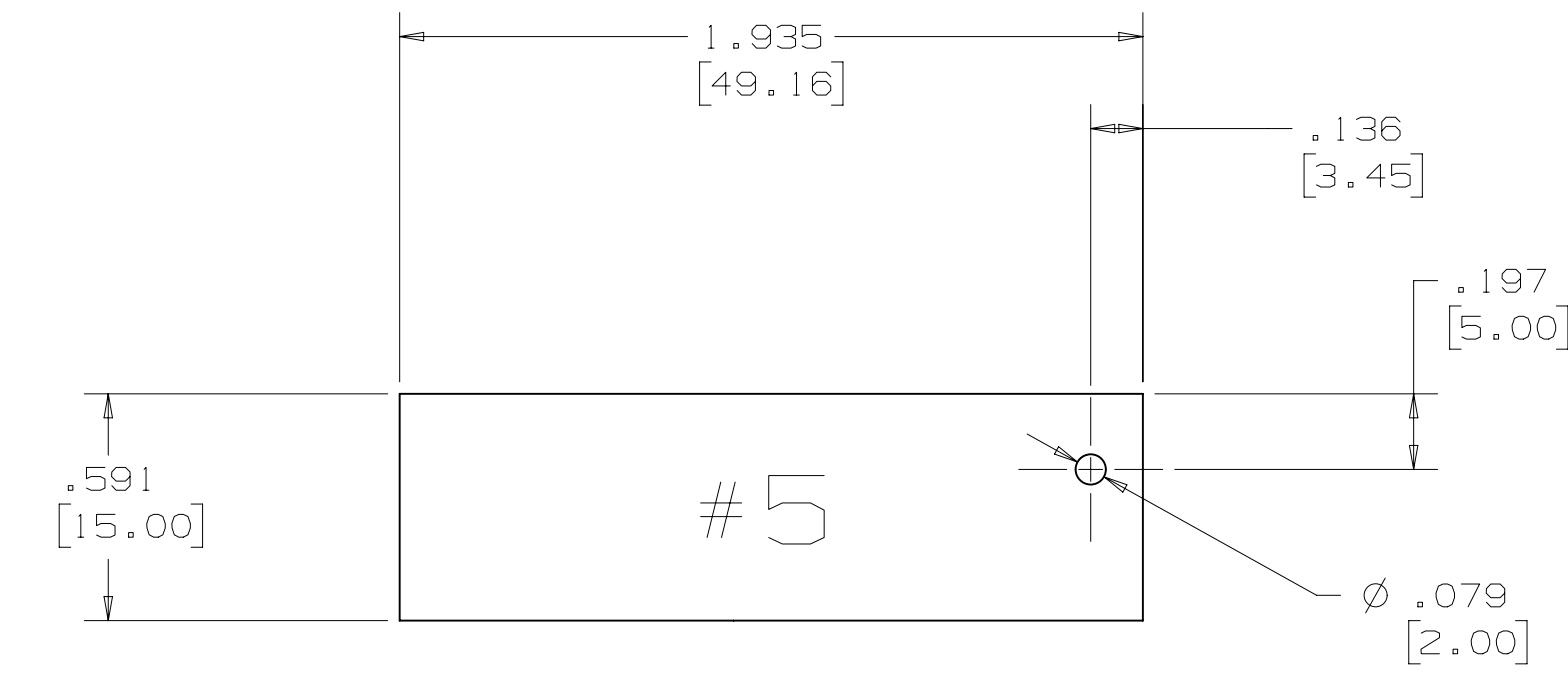
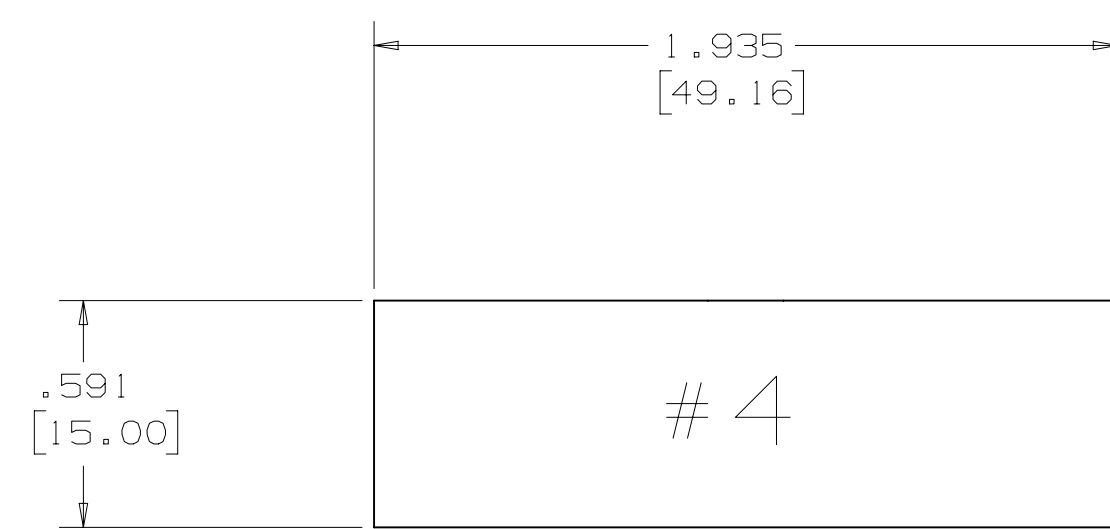


REV	REVISION CONTROL DOCUMENT	DATES	SIGNATURES
-	F10027800---RCD		DRAWN APPROVED



MATERIAL:  
 CARBON FIBER PREPREG LAMINATE  
 K13C2U, THK = 0.06mm/PLY  
 LAYUP ORIENTATION 0/90/90/0

PART TYPE QUANTITIES:  
 #1 =  
 #2 =  
 #3 =  
 #4 =  
 #5 =

UNLESS OTHERWISE SPECIFIED					DRAWN	DATE
±.X	±.XX	±.XXX	±X/X	±X°	CHECKED	DATE
.1	.02	.005	1/16	1°	APPROVED	DATE
BREAK ALL SHARP EDGES .015 MAX. DO NOT SCALE DRAWING DIMENSIONS BASED ON ASME Y14.5M-1994 MAX. ALL MACH SURFACES 125 DRAWING UNITS: INCHES					F10027712	
					MATERIAL	
					GROUP:	CAGE CODE: QUESR6

FERMI NATIONAL ACCELERATOR LABORATORY UNITED STATES DEPARTMENT OF ENERGY			
NAME			
MODULE CARBON FIBER, CMS PHASE 2 TYPE PS4 FROM CERN STEP FILE			
SCALE	SIZE	DRAWING NUMBER	SHEET
1:1	D	F10027800	1 of 1
			REV
			-