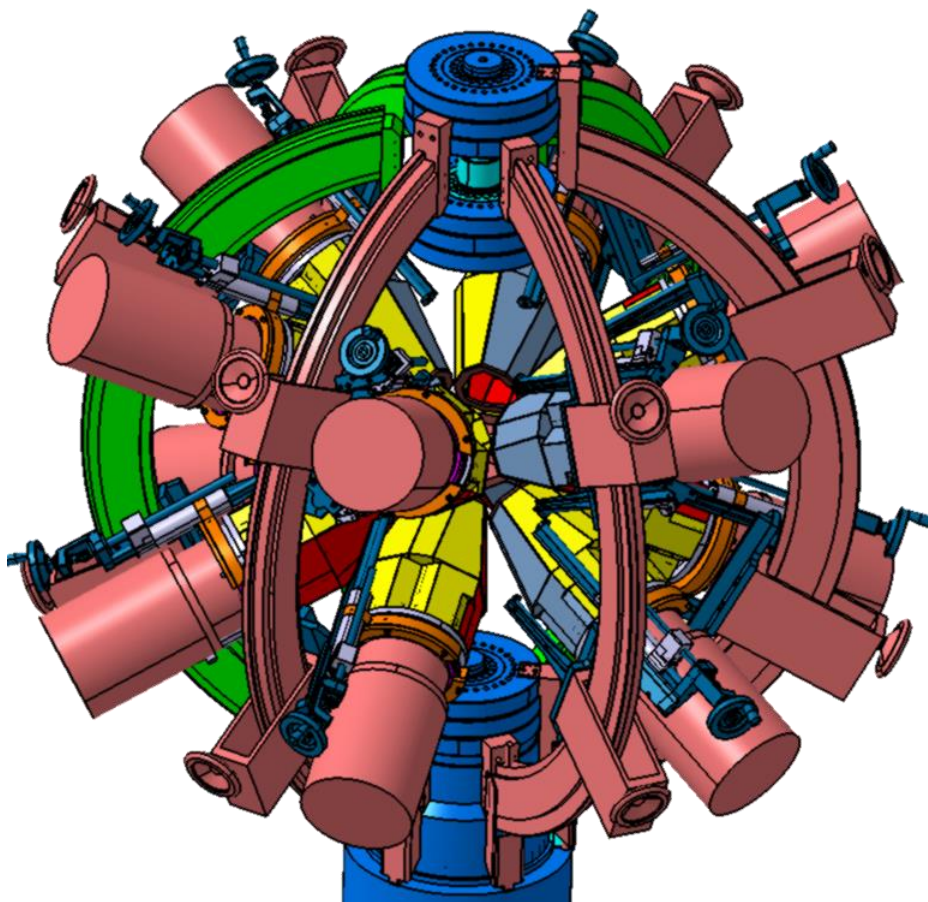


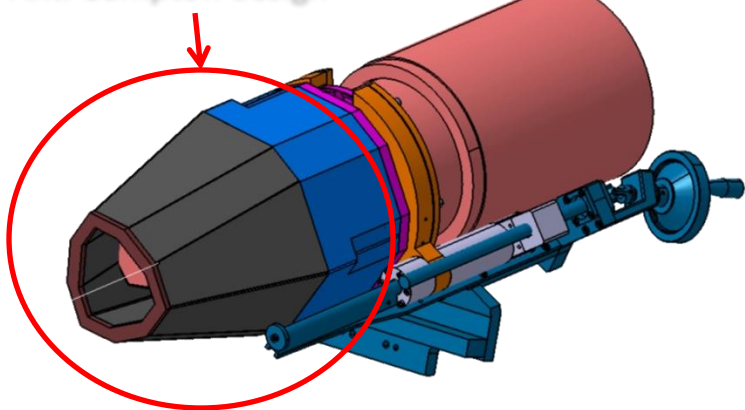
Miniball project



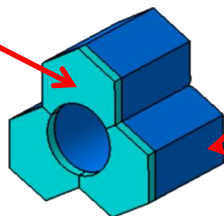
Miniball with new BGO

New design for the BGO crystals

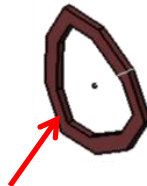
Anti Compton design



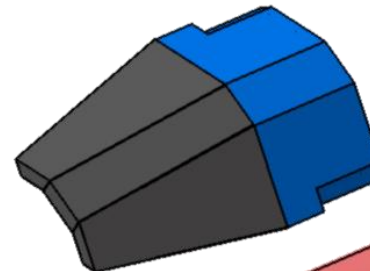
New BGO crystals back



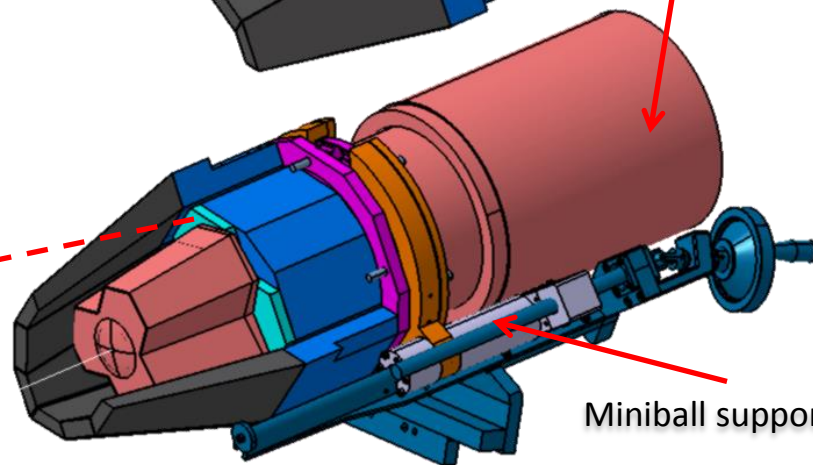
Collimator



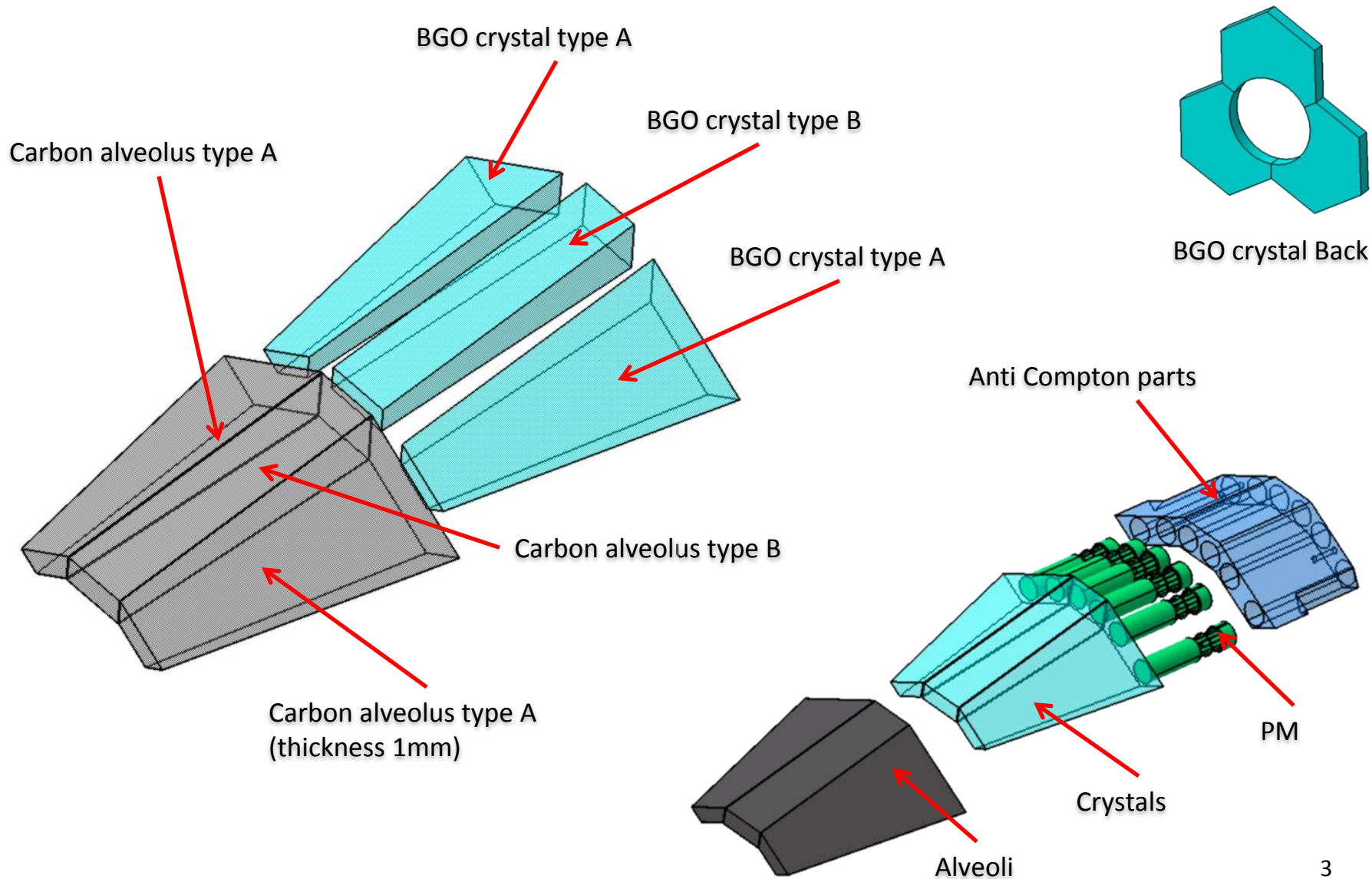
Germanium detector



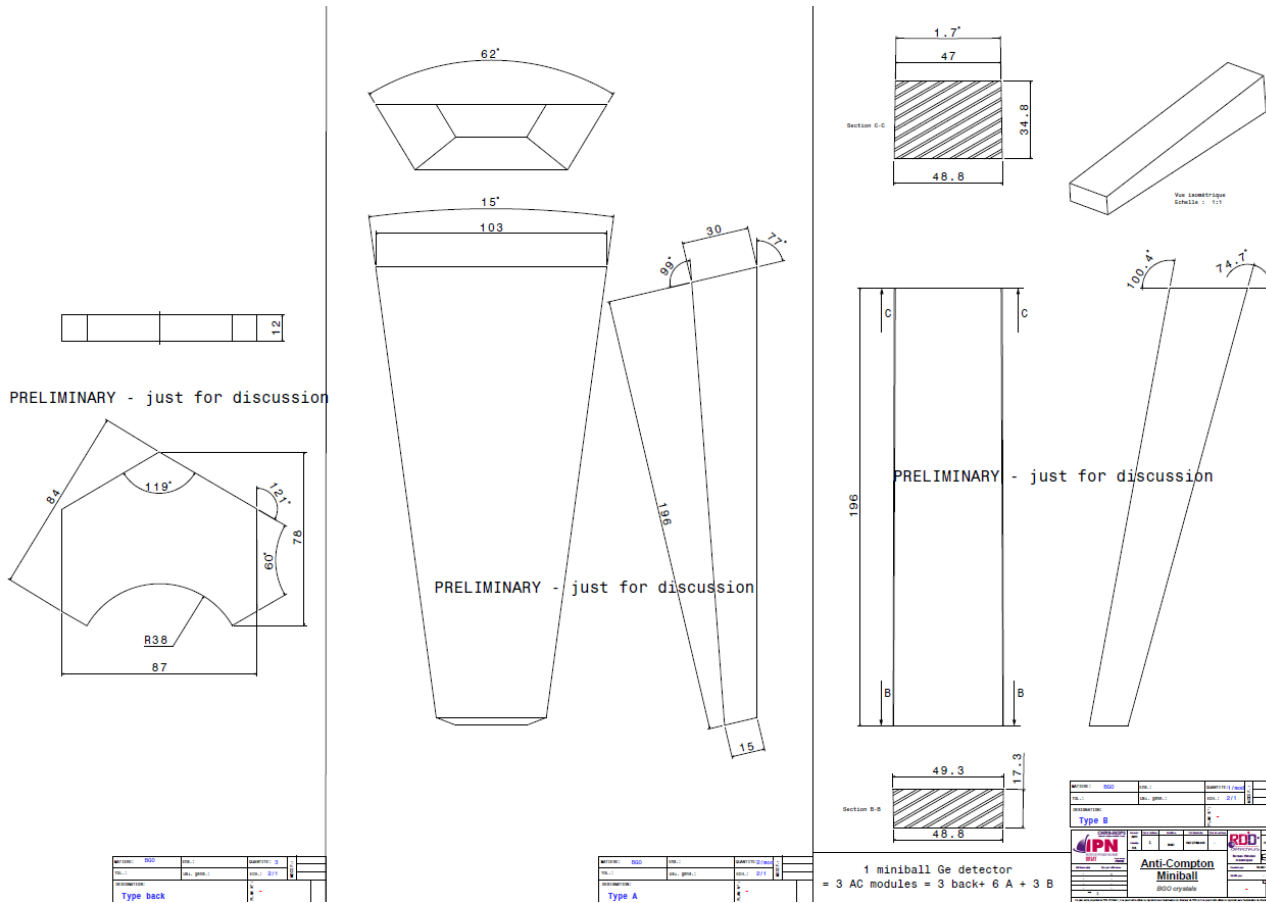
Miniball support



New design for the BGO crystals



Symmetrical crystal shape



Prices (Scionix):

Model A :

3200 €/u qty 6 for 1 detector

Model B :

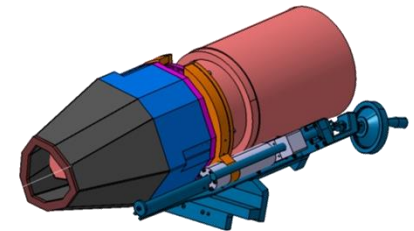
2950 €/u qty 3 for 1 detector

Back plug :

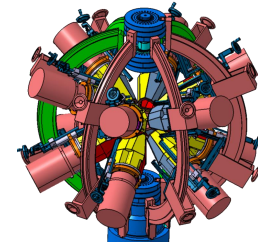
895 €/u qty 3 for 1 detector

Total :

30735 € for 1 detector

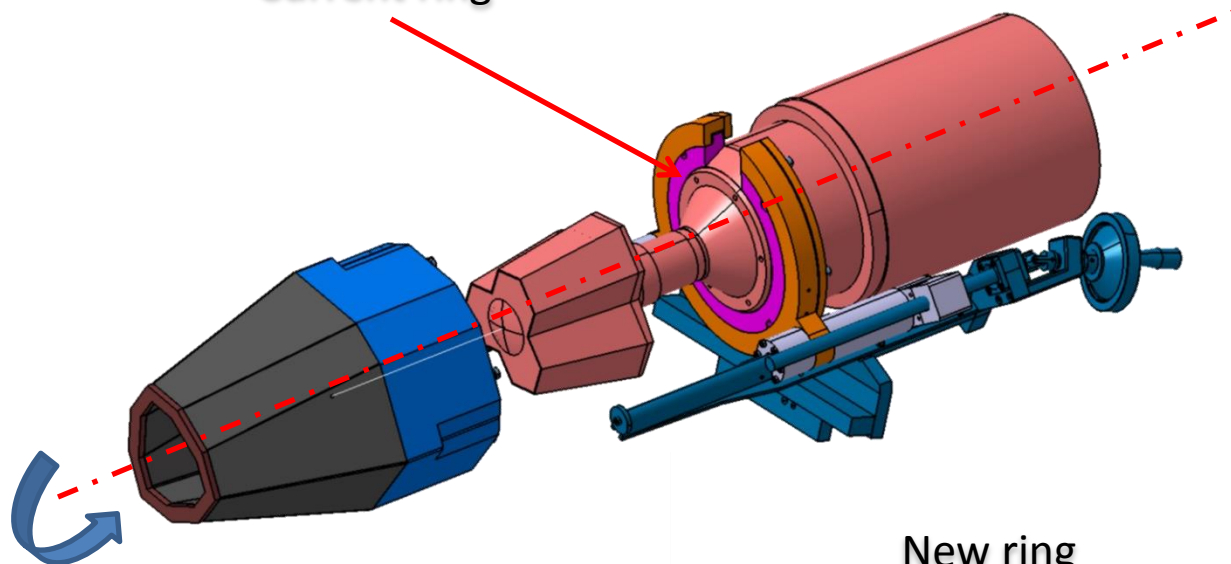


368820€ for 12 detectors

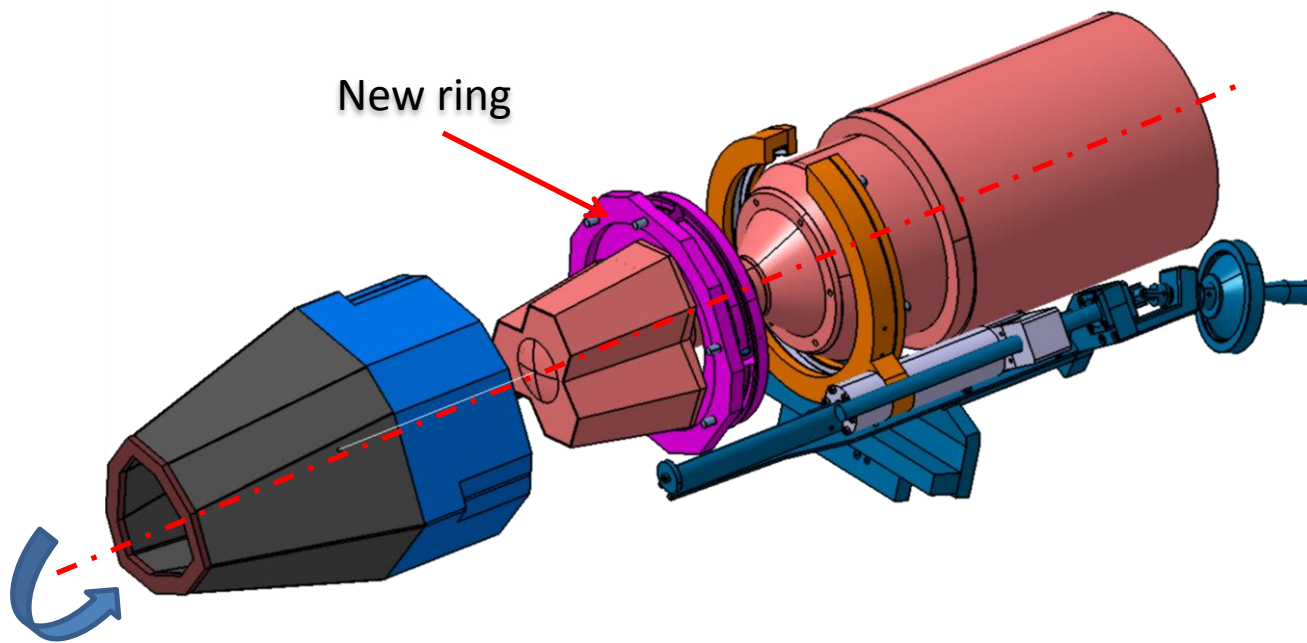


New design for the Miniball ring

Current ring

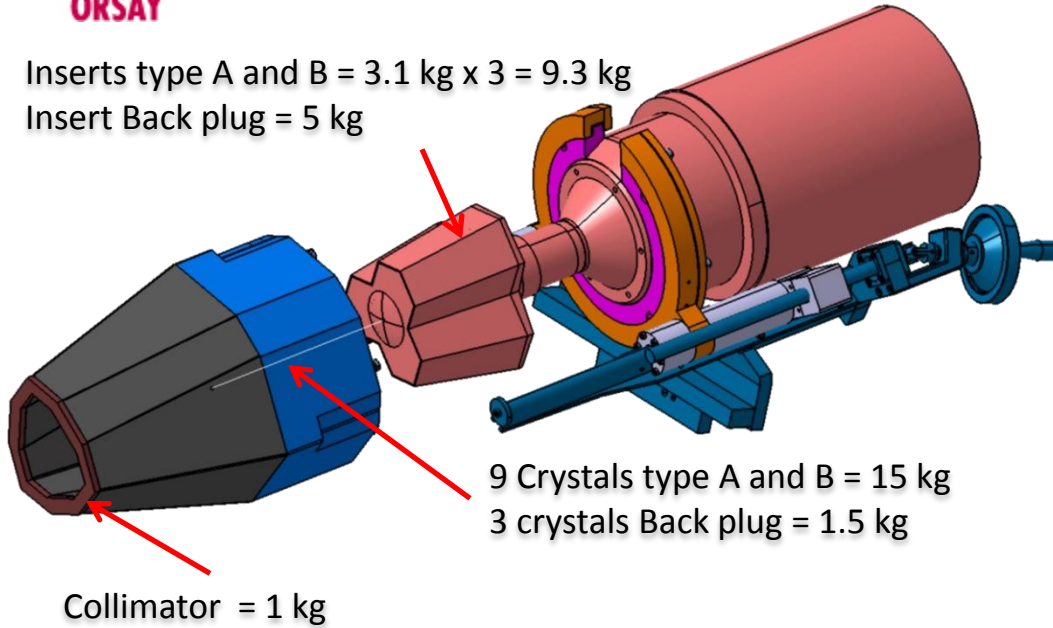


New ring



Inserts type A and B = 3.1 kg x 3 = 9.3 kg
 Insert Back plug = 5 kg

Total mass = 32.5 kg



Preliminary calculation with a mass of 20 kg (40 kg/2)
 Deflection 0.5 mm on the rail
 Deflection 0.8 mm on the extremity of the detector

A: Structure statique
 Deflection under 20 Kg
 Type: Déplacement total
 Unité: mm
 Temps: 1
 26/08/2014 14:08

