



READOUT ELECTRONICS @ KMUTT

Ann Silapunt

Electronic and Telecommunication Engineering

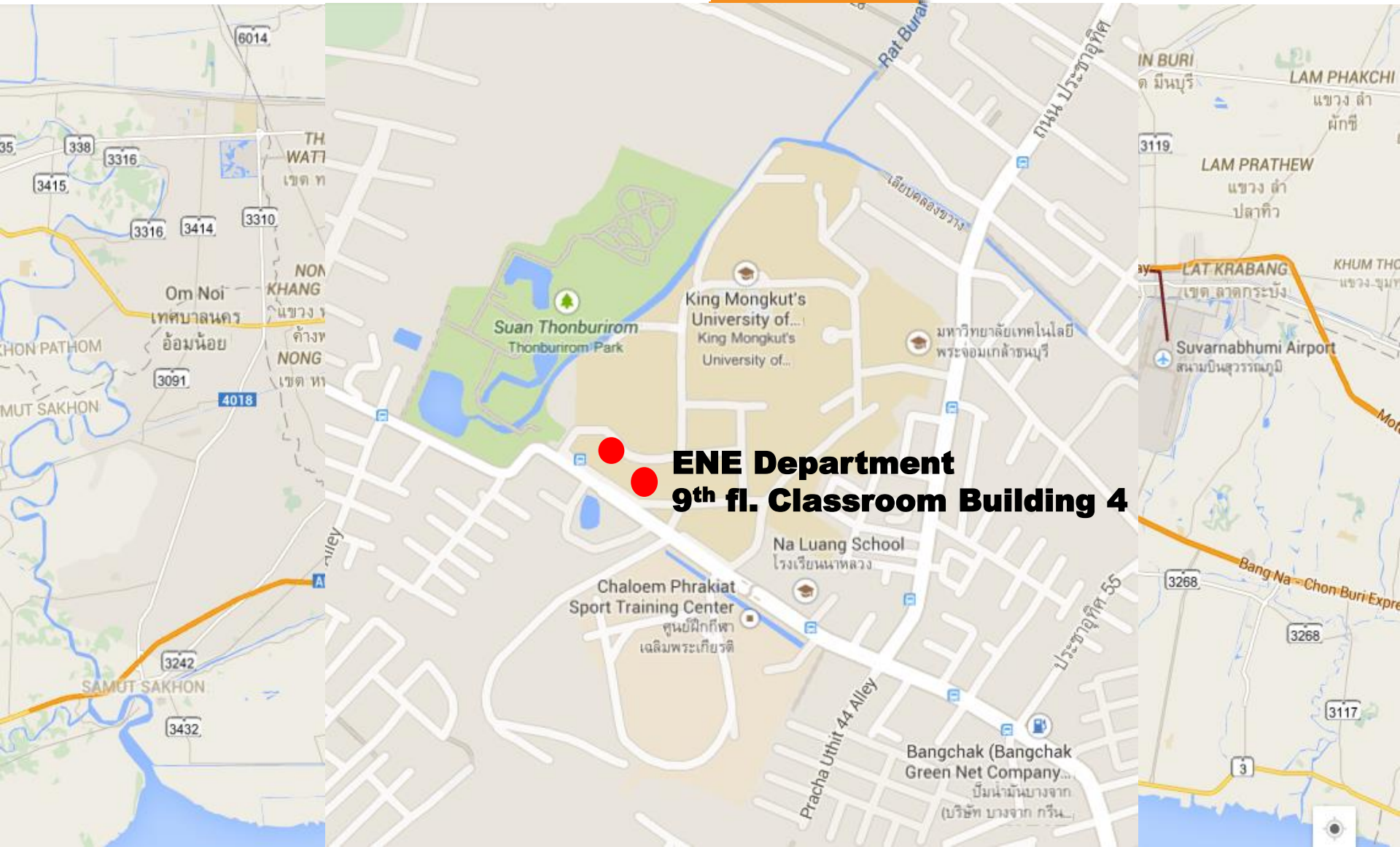
King Mongkut's University of Technology Thonburi, Bangkok, Thailand

4th ALICE ITS upgrade, MFT and O2 Asian Workshop 2014

15-16 December 2014

Haeundae Grand Hotel, Pusan, South Korea

ENE Background



ENE Demographics



Faculty **18**

Undergraduate Program

Total 455 students

Thai program 306 students

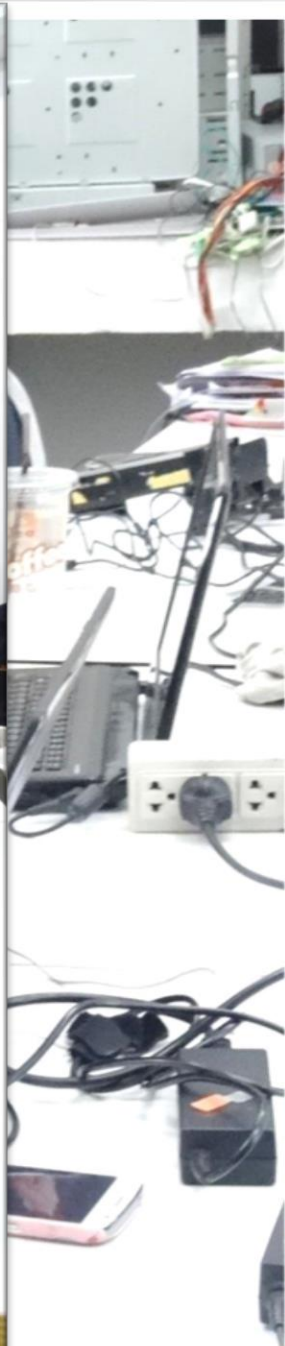
English program 149 students

Master Degree Program

Total 109 students

PhD Program

Total 19 students



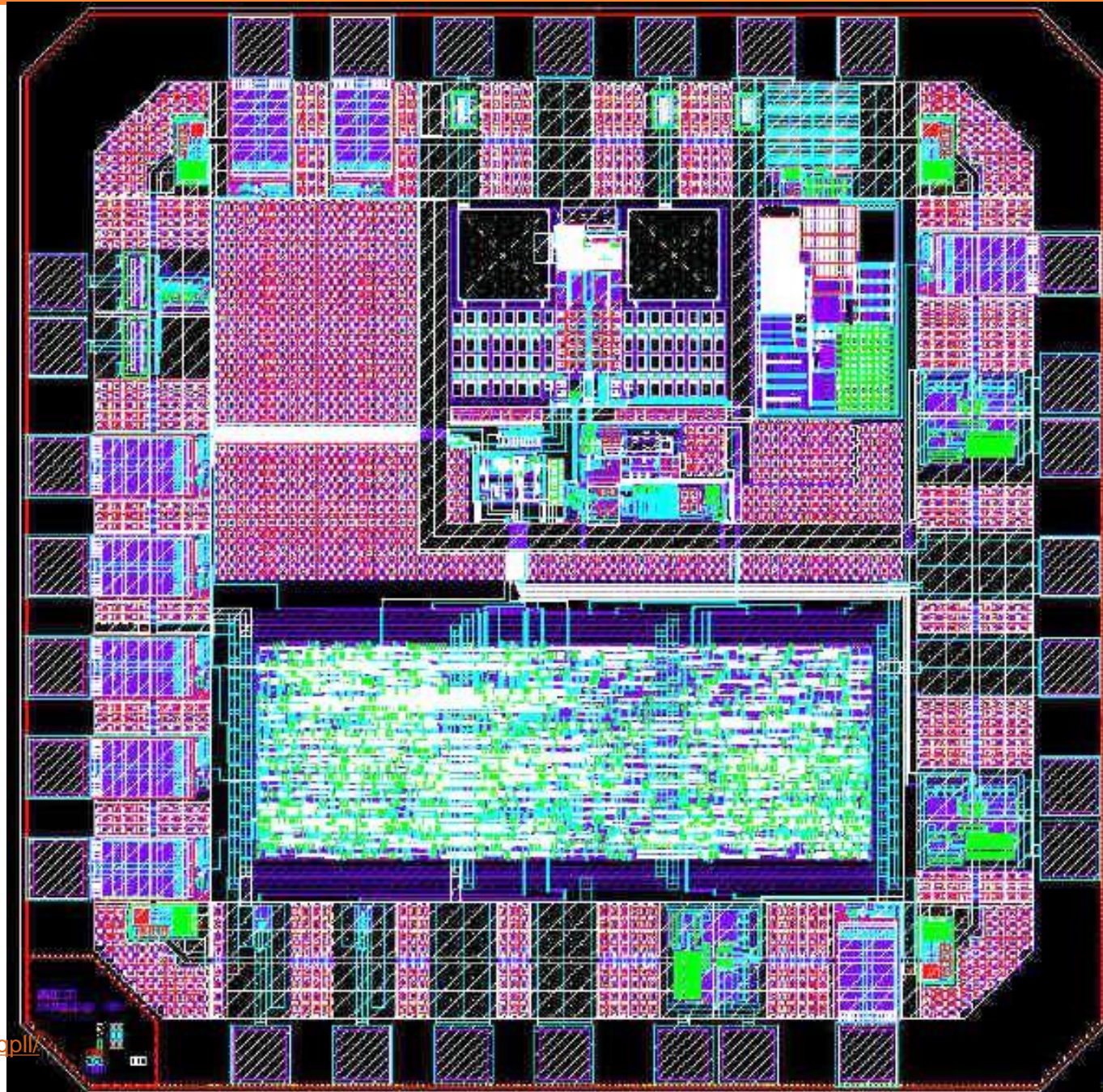
RESEARCH OF INTEREST

ALICE ITS

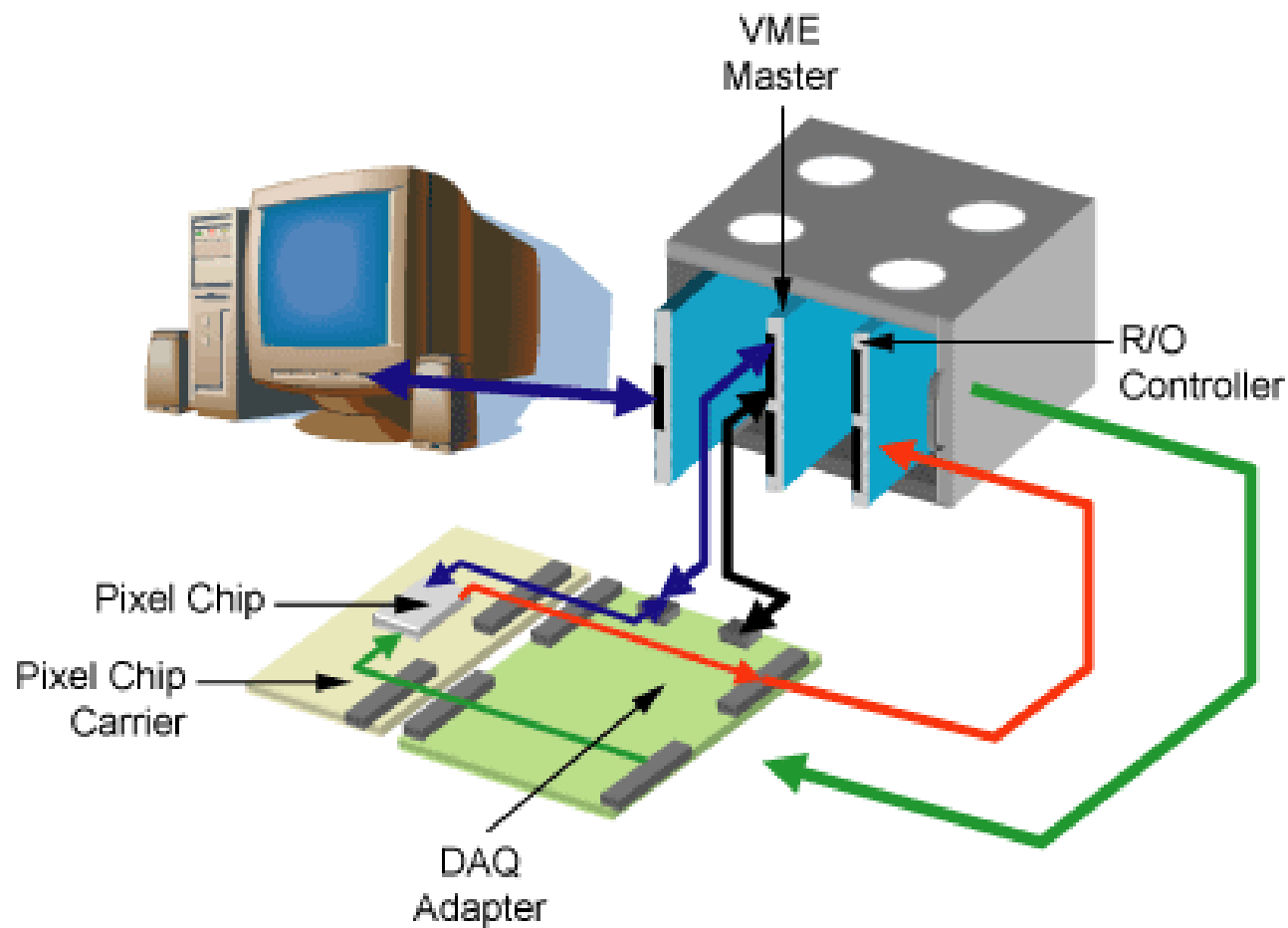
SENSOR

Design and Simulation

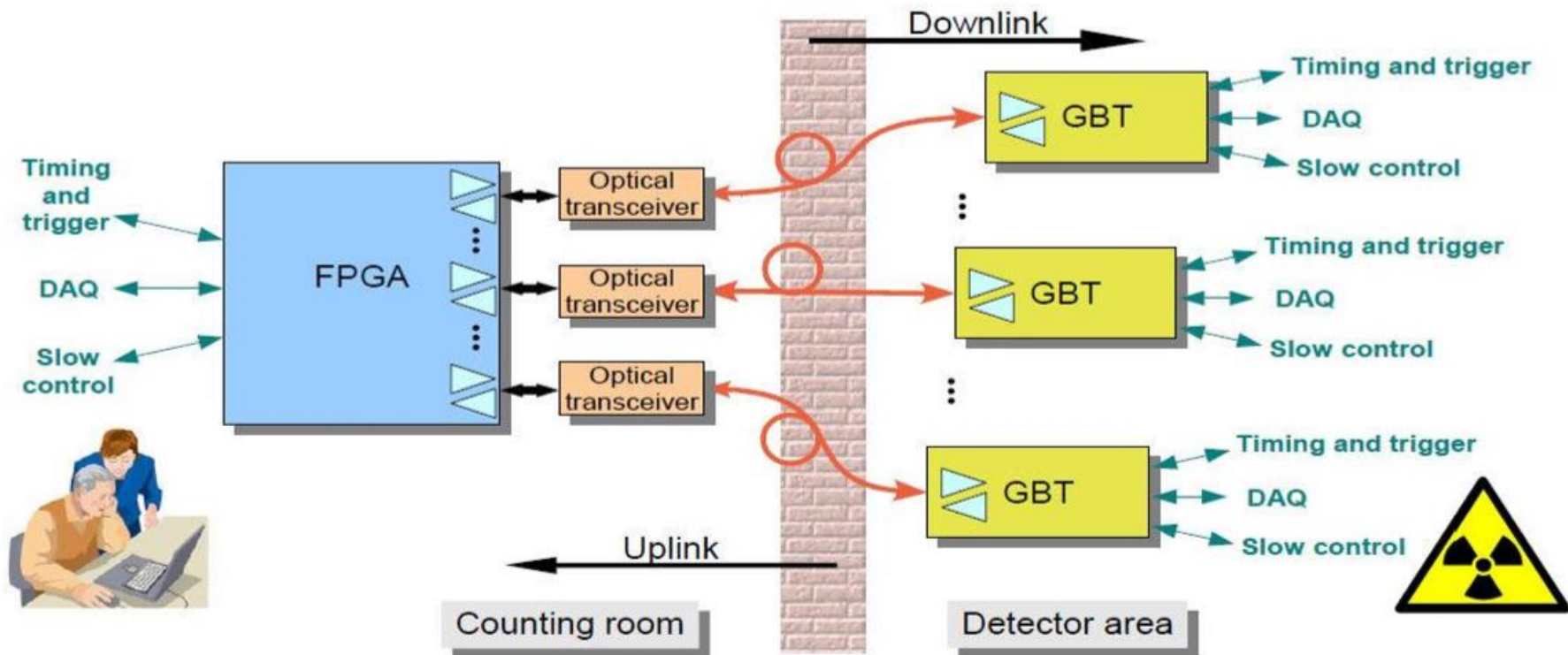
Analog and Digital



Chip Testing and Characterization



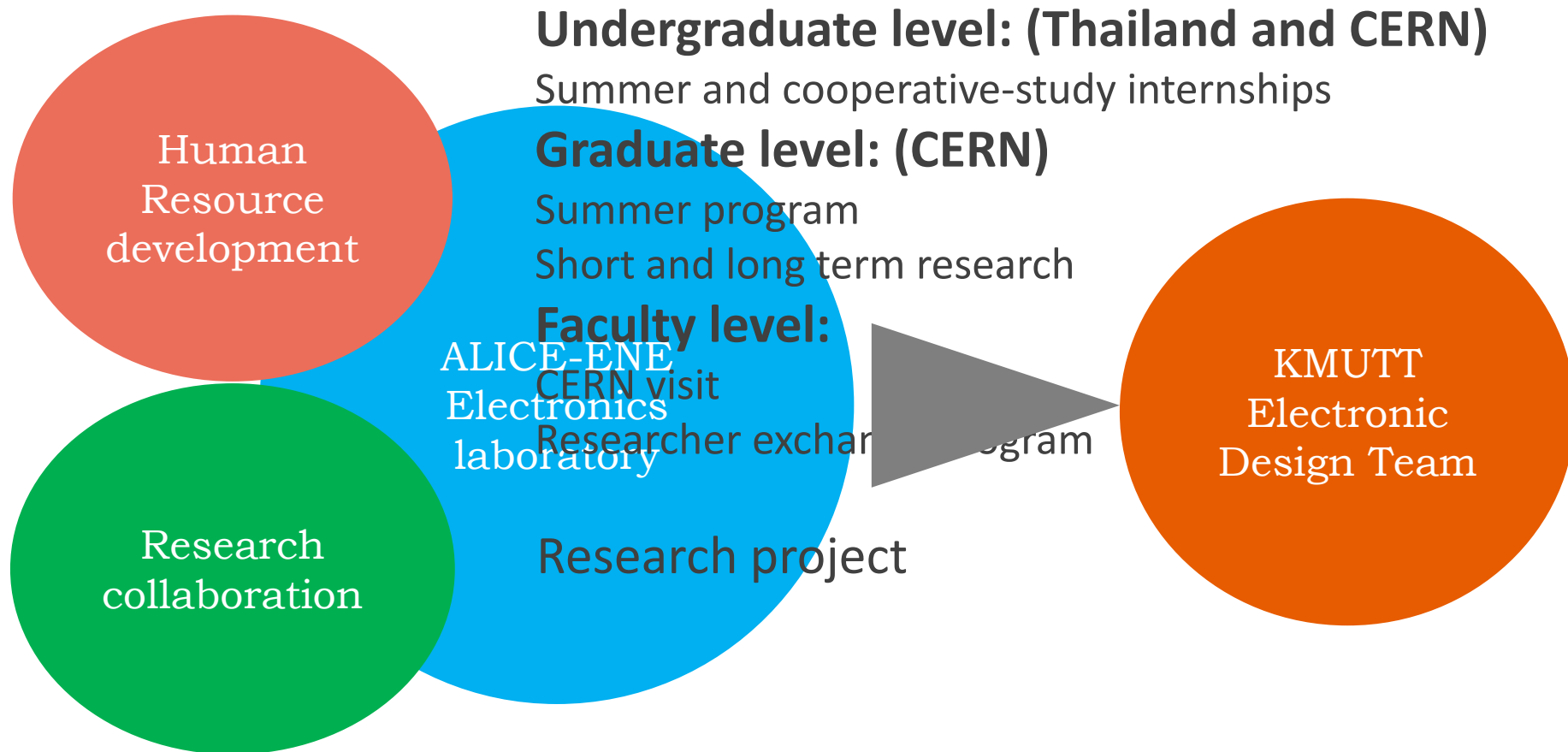
Readout Control Units



PROPOSED MODELS FOR COLLABORATIONS

ALICE ITS

Proposed Model of Collaboration



Action plan 2015-2016

- Student recruitment
- Submit the grant proposal (internal and external)
- 2015, June – November (SUT and KMUTT)
Cooperative study program for an undergraduate student
- 2016, June – December
3-6 months research at CERN for a graduate student

Once we accept our limits,
we go beyond them.

-Albert Einstein-



