

BRAN installation status



Sune Jakobsen (BE-BI-PM)



The BRAN A at IP1

Both detectors were mechanically installed in the TANs on the 18-06-2014.

The BRAN at the LEFT side was removed again on the 06-10-2014 for a new bake-out of the sector.

Reinstallation of LEFT side foreseen for the 19-11-2014.

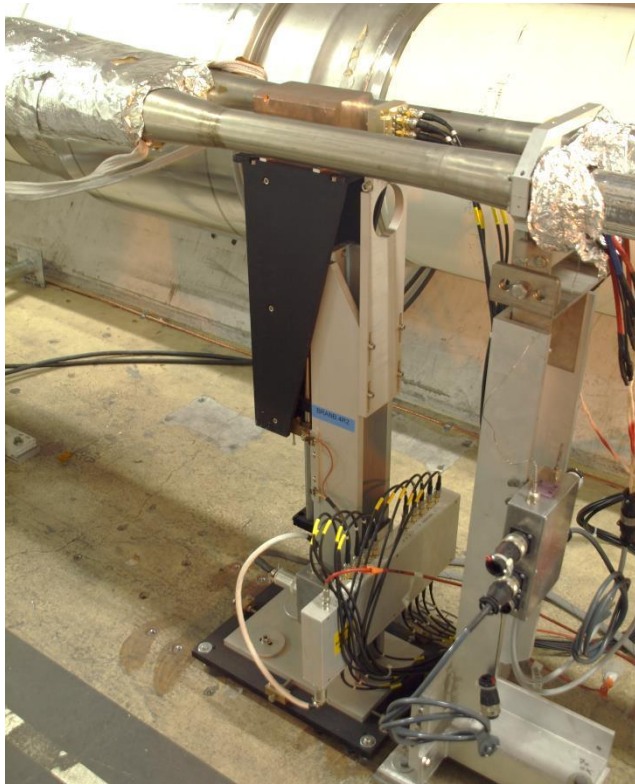
The RIGHT side is fully cabled and connected to the gas line.



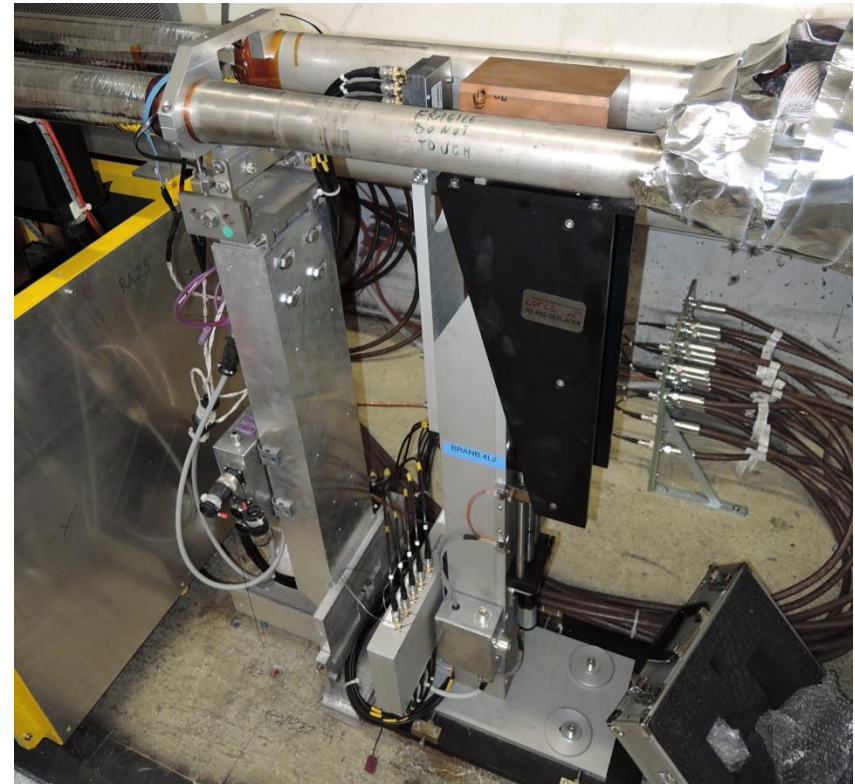


The BRAN B at IP2

The BRAN B at the RIGHT side was reinstalled and fully cabled on the 12-08-2014.



The BRAN B at the LEFT side was reinstalled and fully cabled on the 12-09-2014.





The BRAN C at IP8

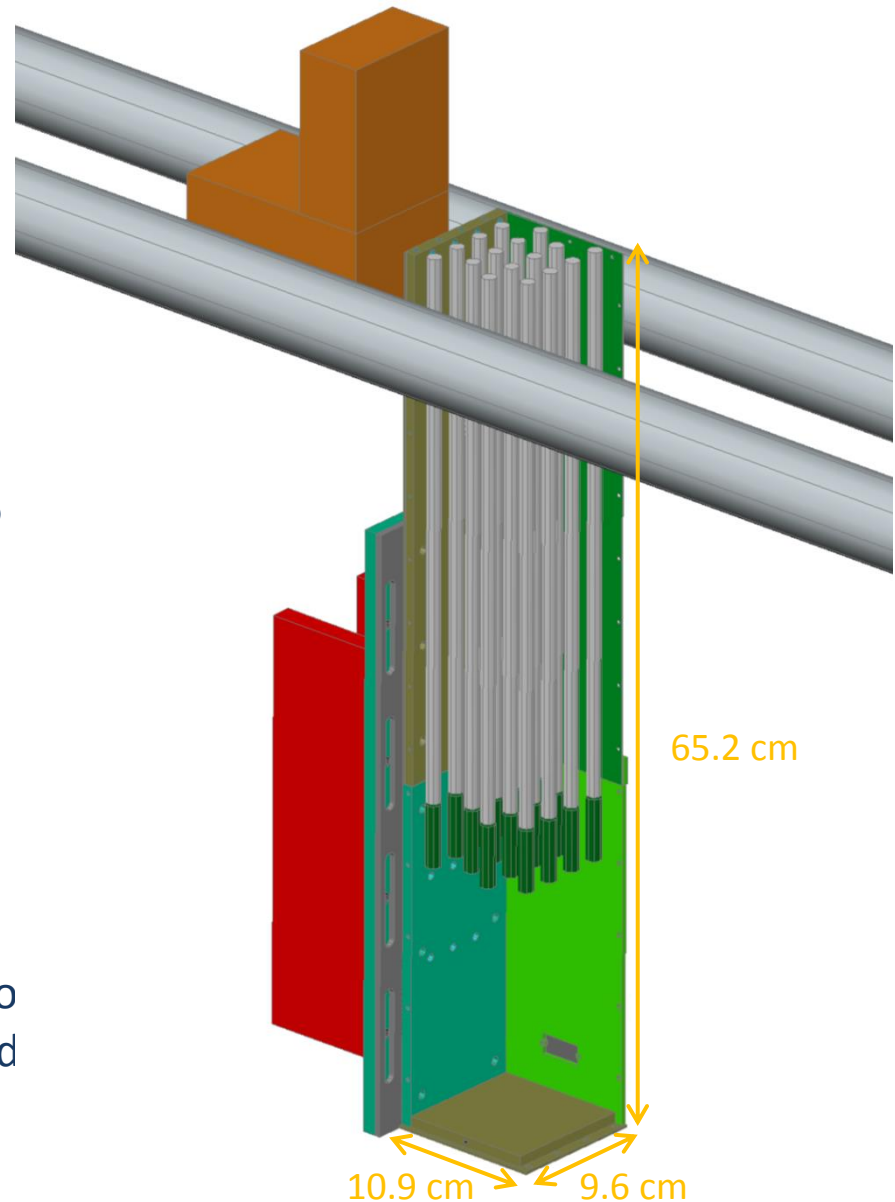
The BRAN B (CdTe detector) in IP8 died due to radiation during Run1 of the LHC.

A replacement is being prepared based on Cherenkov light quartz rods – BRAN C

Each of the two detectors are based on 16 quartz rods with a diameter of 10 mm.

Each quartz ROD is linked to a UV sensitive PMT (Hamamatsu P3878P).

The readout is reused from the old detector and is a simple threshold for each PMT and summing of the number of channels hit.





The BRAN C for IP8 – current status

One detector fully assembled and ready for testing.

All infrastructure installed:

Rack will be reused from previous detector.

Most signals cables are reused.

Few additional signal cable already installed.

New multiwire HV cables installed (but connectors are being redone).

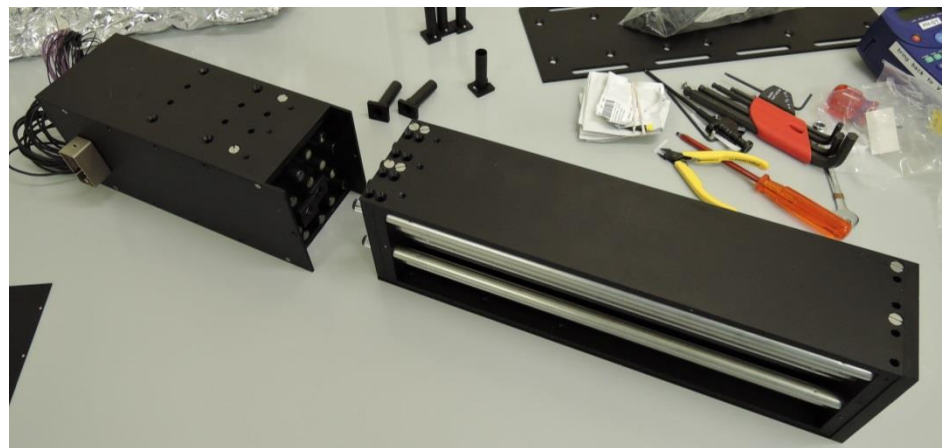
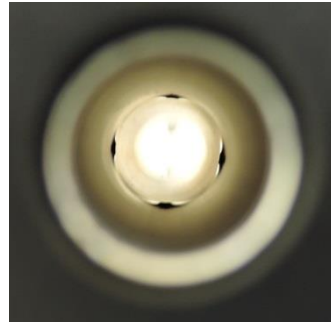
New HV PSU with multiple channels already in hand.

Readout module reused from previous detector.

Laboratory tests ongoing.

Test beam at SPS H8 starts in 2 weeks.

Installation before first beam.





BRAN A at IP5

Nothing installed

Suggested installation dates:

5L: week 48 (~24 November)

5R: week 47 (~18 November)