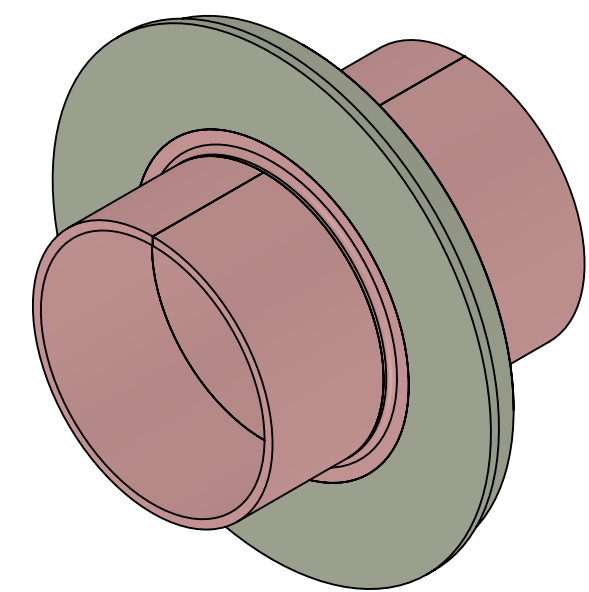
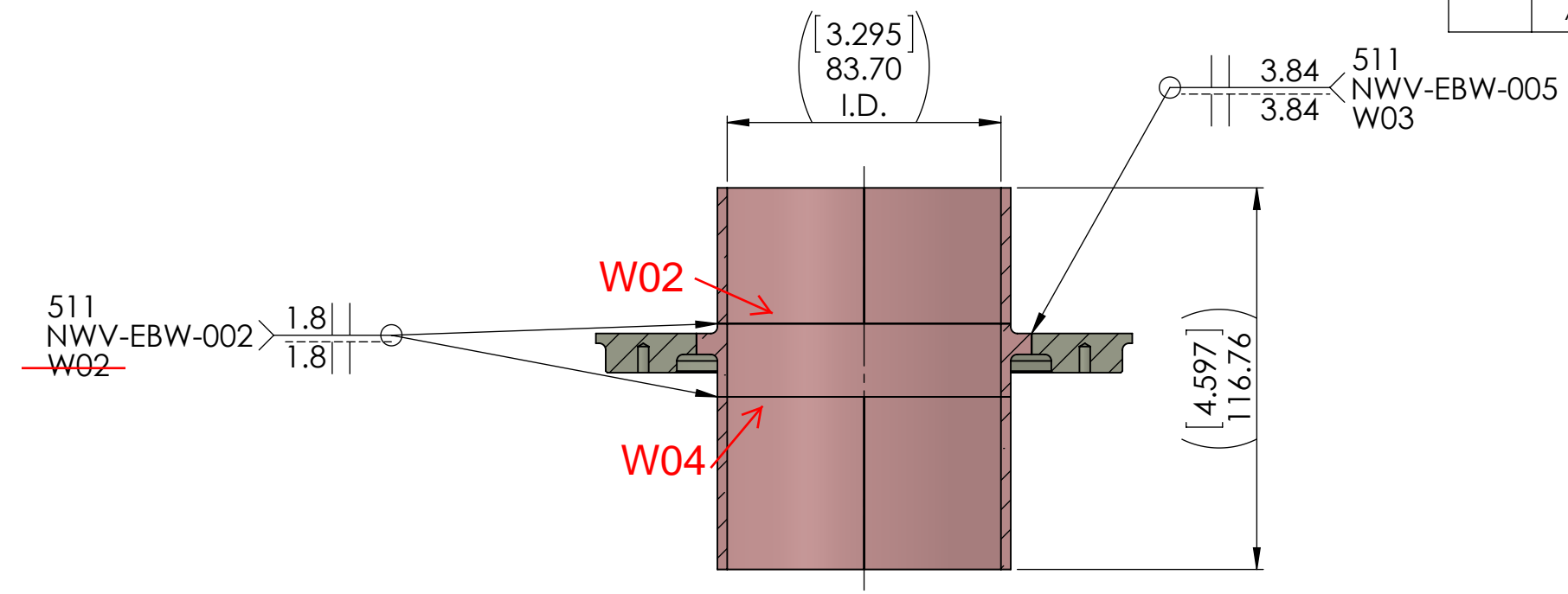
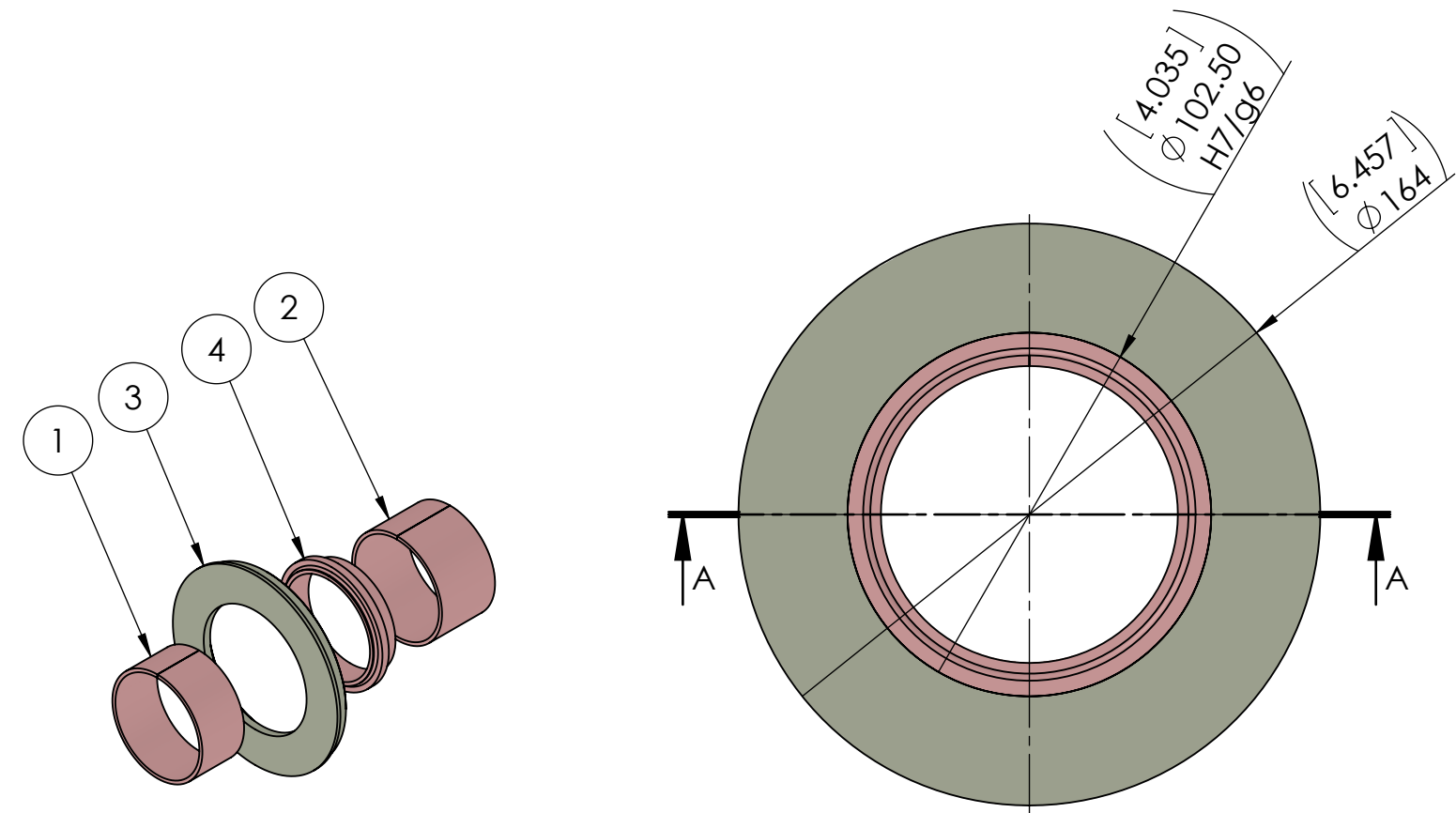


REVISIONS				
ECN #	REV.	DESCRIPTION	APPROVED	DATE
	A	DIMENSIONS AND TOLERANCES UPDATED		

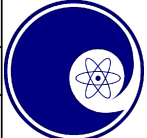


Just one identification for each weld, and for each beam port tube.

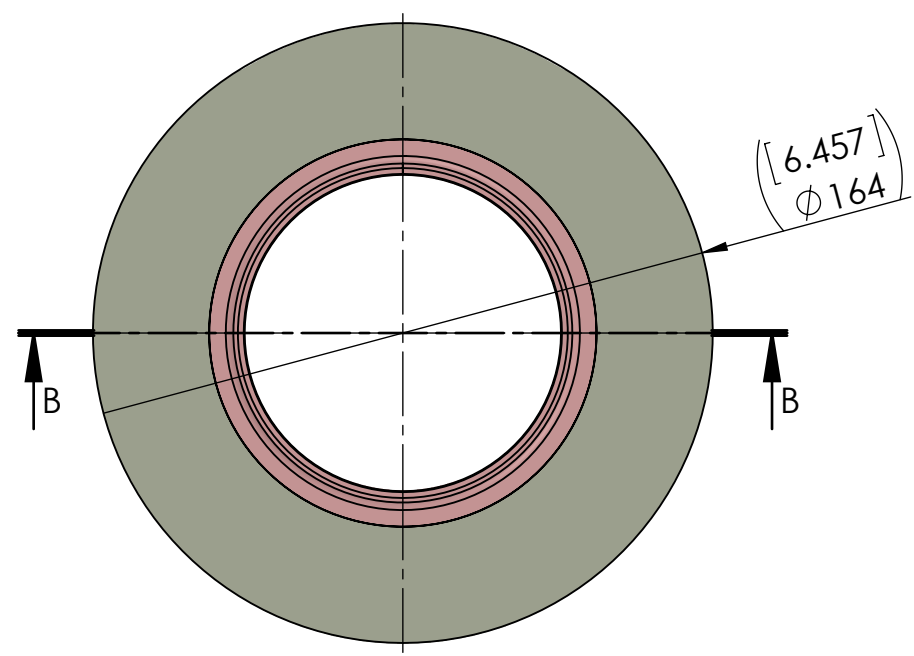
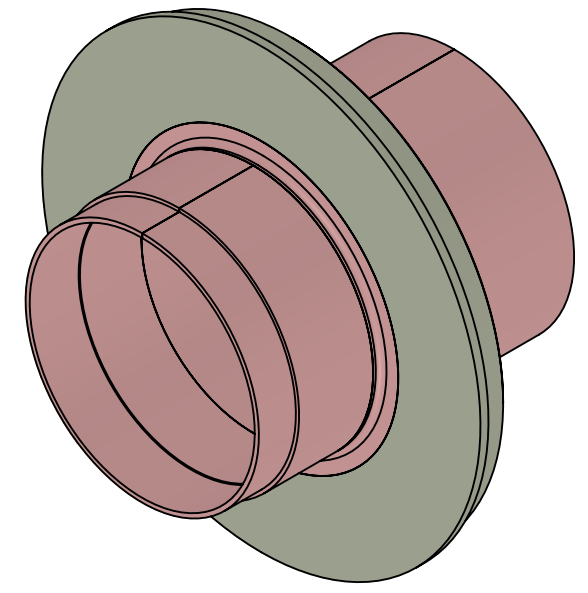
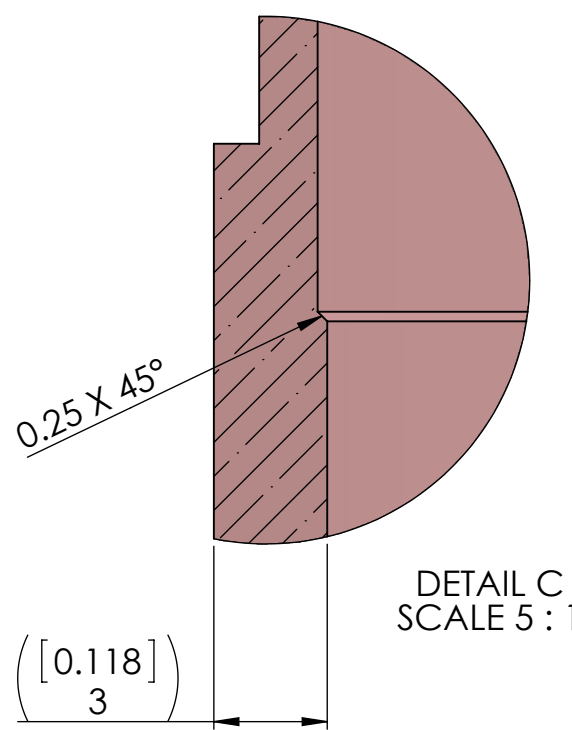
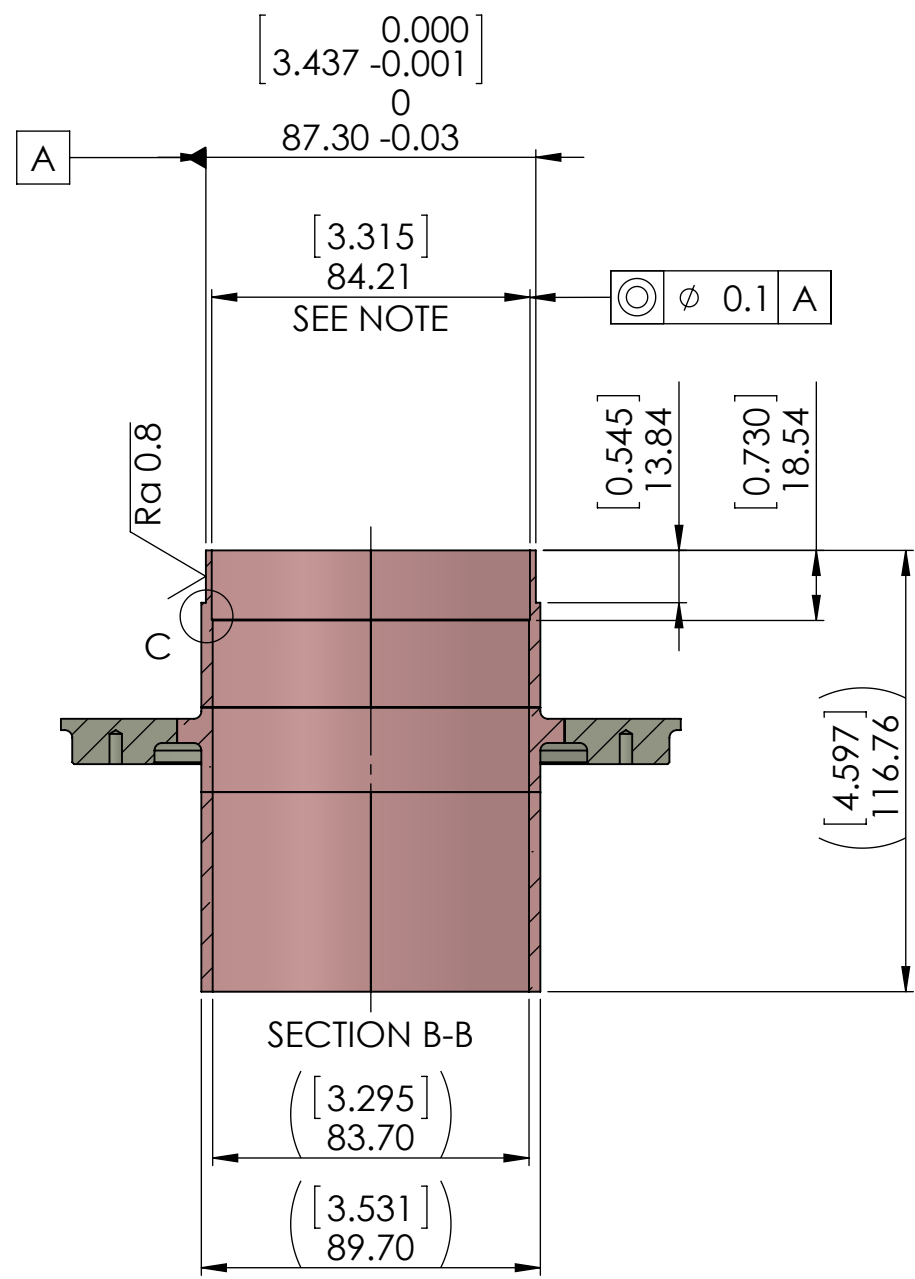


NOTE: 1) DRAWING MADE TO ISO STANDARDS
2) WELD W02 BEFORE WELDING W03

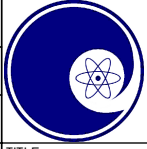
	PART NUMBER	DESCRIPTION	MATERIAL	QTY.
4	13-0017-0174-P01	TRANSITION RING PIPE	NIOBIMUM	1
3	13-0017-0174-P02	BEAMLINE TRANSITION RING	Nb-Ti	1
2	13-0017-0173-P01	BEAMTUBE A PART 1	NIOBIMUM	1
1	13-0017-0173-P02	BEAMTUBE A PART 2	NIOBIMUM	1

TOLERANCES: ISO 2768-mK	PROJECT MANAGER APPROVAL: JOE YANCEY	DATE: 10/13/2014	 NIOWAVE, INC. 1012 N. WALNUT ST. LANSING MI, 48906 www.niowaveinc.com
	MODELED BY: NICK MILLER	DATE: 10/13/2014	
	DETAILED: CHECKED BY: CF EIKE SCHNABEL	DATE: 10/13/2014	
	MANUFACTURING APPROVAL: DR. TERRY GRIMM	DATE: 10/13/2014	TITLE: CERN DOUBLE QUARTER WAVE BEAMLINE PORT TUBE AND ADAPTOR ASSEMBLY
PROPRIETARY & CONFIDENTIAL INFORMATION CONTAINED IN THIS DRAWING IS THE SOLE PROPERTY OF NIOWAVE, INC. ANY REPRODUCTION IN PART OR IN WHOLE WITHOUT THE WRITTEN PERMISSION OF NIOWAVE, INC. IS PROHIBITED. TITLE BLOCK REVISED: 2014-10-08	MATERIALS: ESTIMATED WEIGHT: 1.62 kg NOTE: UNLESS OTHERWISE SPECIFIED, DIMENSIONS ARE IN MILLIMETERS & [INCHES]. REMOVE ALL BURRS & BREAK ALL SHARP EDGES.	CONFIGURATION: WELD FILE NAME: 13-0017-0150-A73	SCALE: 1:2 SIZE: B SHEET: 1-2

REVISIONS				
ECN #	REV.	DESCRIPTION	APPROVED	DATE
	A	DIMENSION AND TOLERANCE UPDATES		



NOTE: SEE DRAWING NUMBER 13-0017-0150-P02

TOLERANCES: ISO 2768-mK	PROJECT MANAGER APPROVAL: JOE YANCEY	DATE: 10/13/2014	 NIOWAVE, INC. 1012 N. WALNUT ST. LANSING MI, 48906 www.niowaveinc.com
	MODELED BY: NICK MILLER	DATE: 10/13/2014	
	DETAILED/CHECKED BY: CF EIKE SCHNABEL	DATE: 10/13/2014	
	MANUFACTURING APPROVAL: DR. TERRY GRIMM	DATE: 10/13/2014	
PROPRIETARY & CONFIDENTIAL INFORMATION CONTAINED IN THIS DRAWING IS THE SOLE PROPERTY OF NIOWAVE, INC. ANY REPRODUCTION IN PART OR IN WHOLE WITHOUT THE WRITTEN PERMISSION OF NIOWAVE, INC. IS PROHIBITED. <small>TITLE BLOCK REVISED: 2014-10-08</small>	MATERIALS:	CERN DOUBLE QUARTER WAVE BEAMLINE PORT TUBE AND ADAPTOR ASSEMBLY	
	ESTIMATED WEIGHT: 1.62 kg		
NOTE: UNLESS OTHERWISE SPECIFIED, DIMENSIONS ARE IN MILLIMETERS & [INCHES]. REMOVE ALL BURRS & BREAK ALL SHARP EDGES.		CONFIGURATION: MACHINE	SIZE: B
		FILE NAME: 13-0017-0150-A73	SHEET: 2-2