

# He Tank 1<sup>st</sup> Mode, other concepts

Carlo Zanoni EN-MME-EDM



# 32 Hz (with 160 kN preload!)

B: Modal Springs PLoad

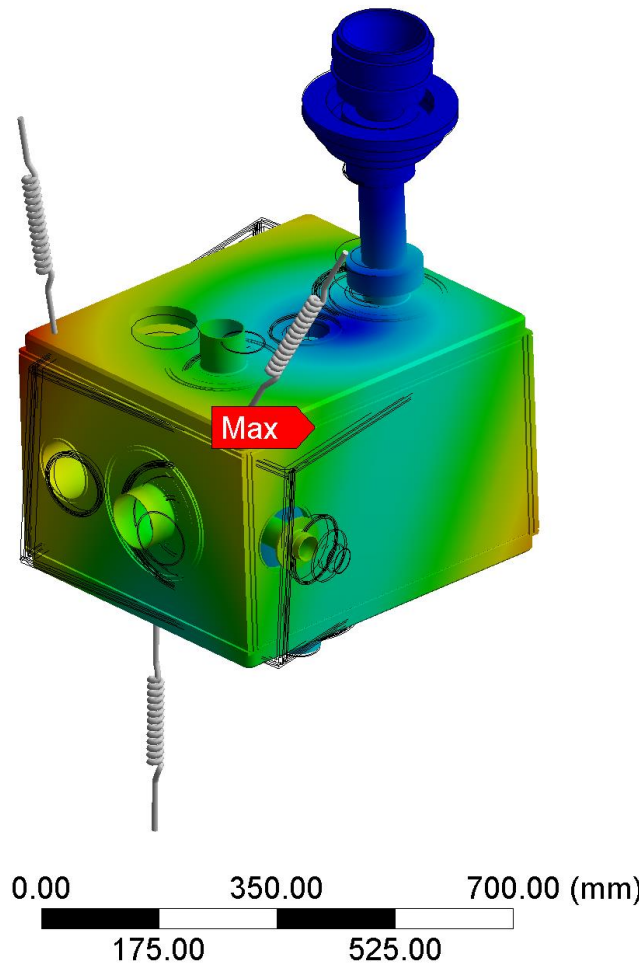
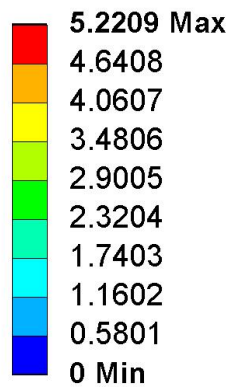
Figure

Type: Total Deformation

Frequency: 32.06 Hz

Unit: mm

19/01/2015 09:09



# 37 Hz (no preload)

B: Modal Springs PLoad

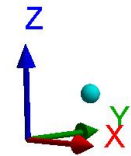
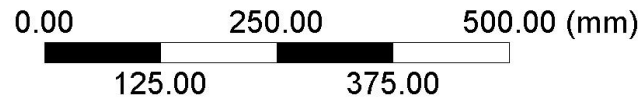
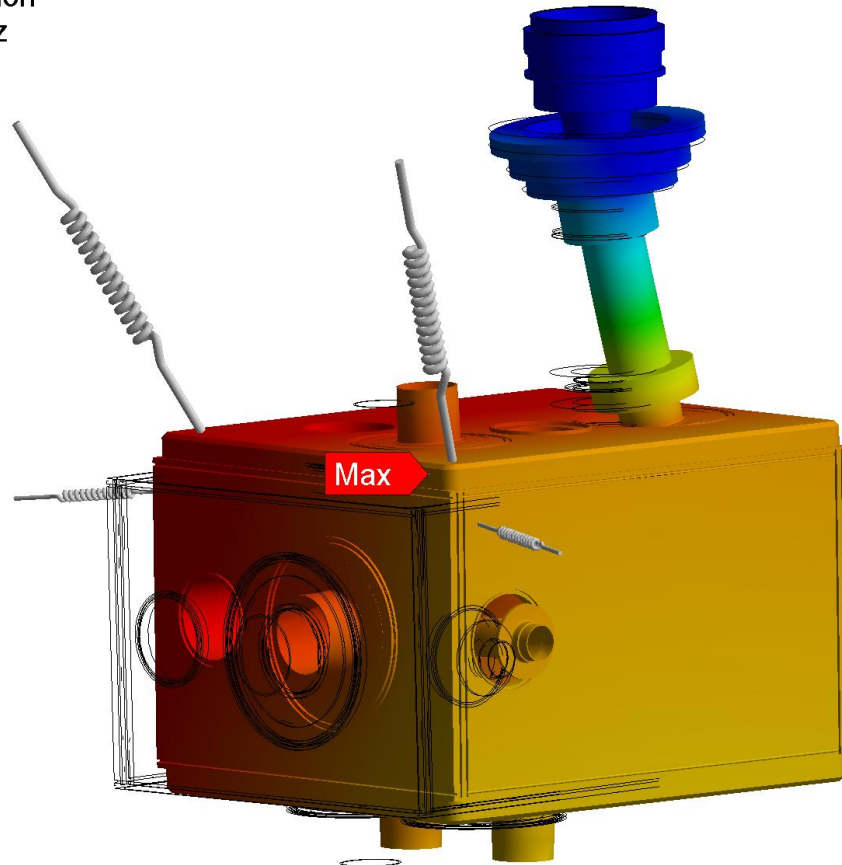
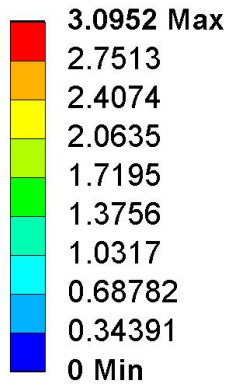
Figure

Type: Total Deformation

Frequency: 37.159 Hz

Unit: mm

19/01/2015 09:13



# 51.5 Hz

A: 6 rods

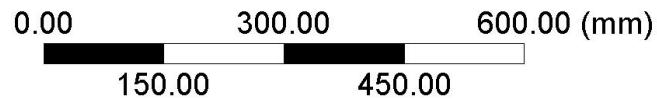
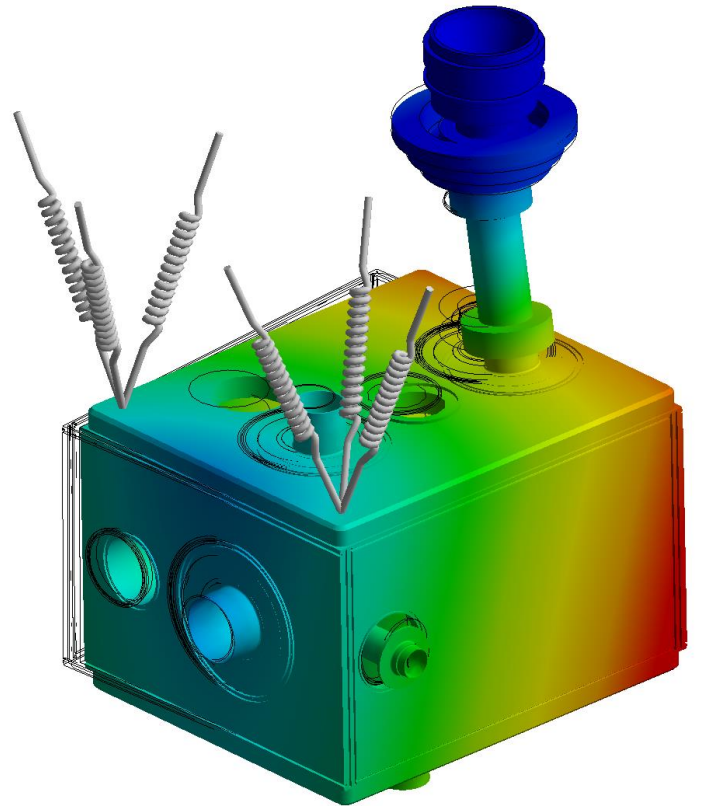
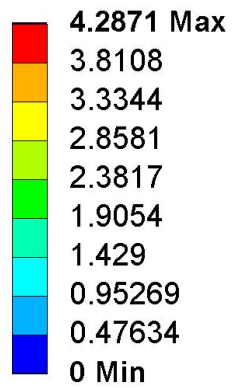
Figure

Type: Total Deformation

Frequency: 51.571 Hz

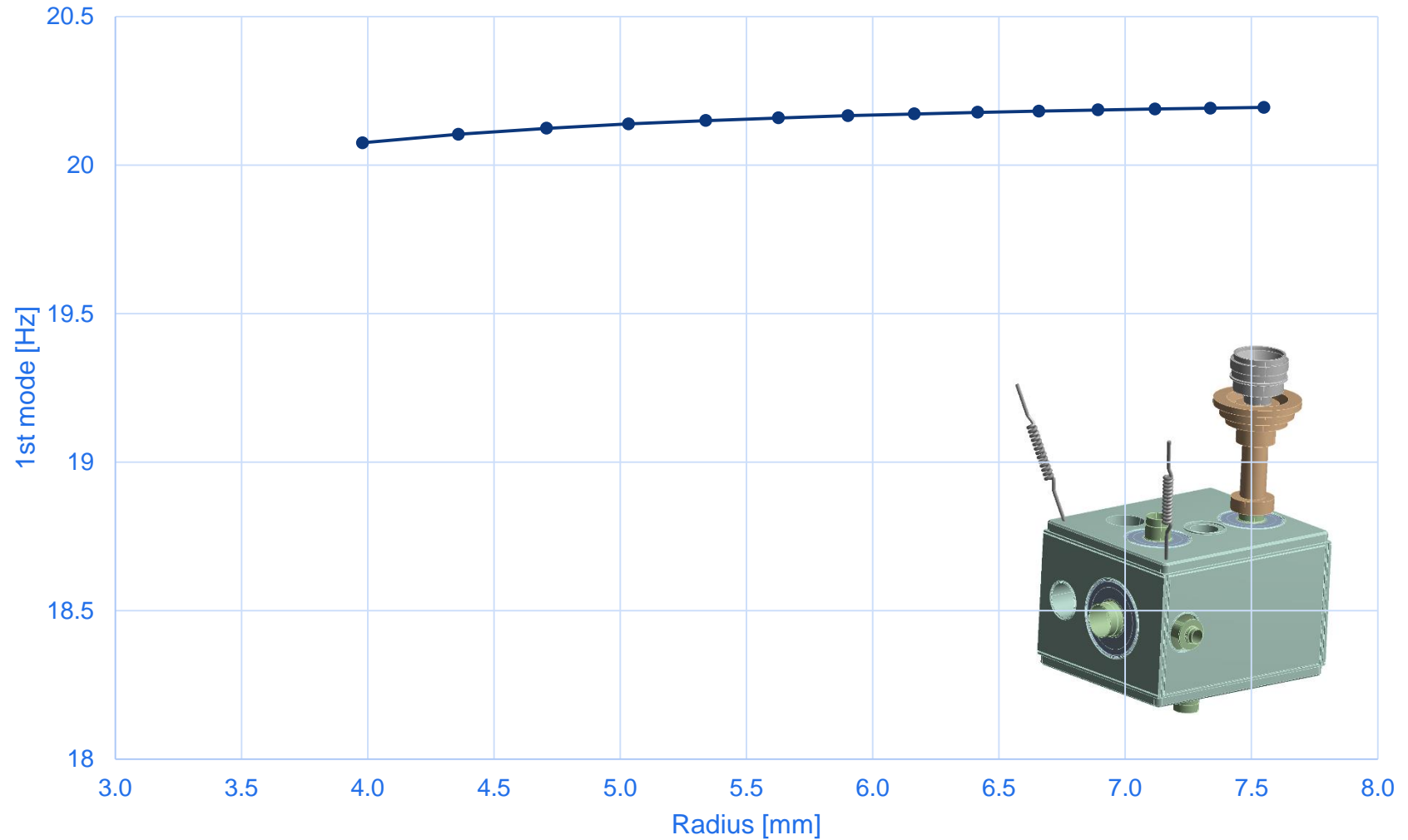
Unit: mm

19/01/2015 09:11

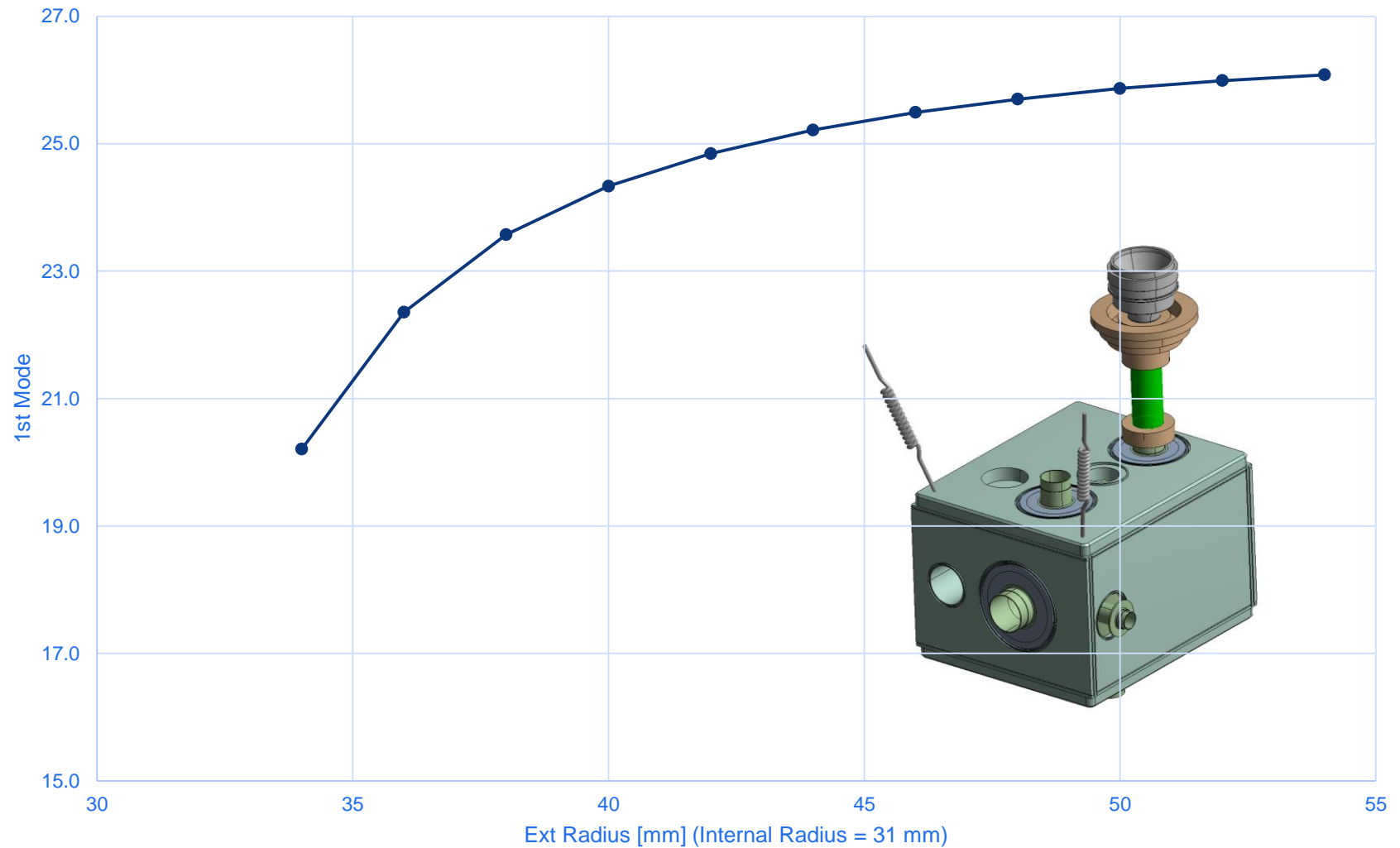


# Sensitivity to Rod Stiffness

1st Mode vs. Rod Stiffness



# Sensitivity to Tube Thickness





ENGINEERING  
DEPARTMENT