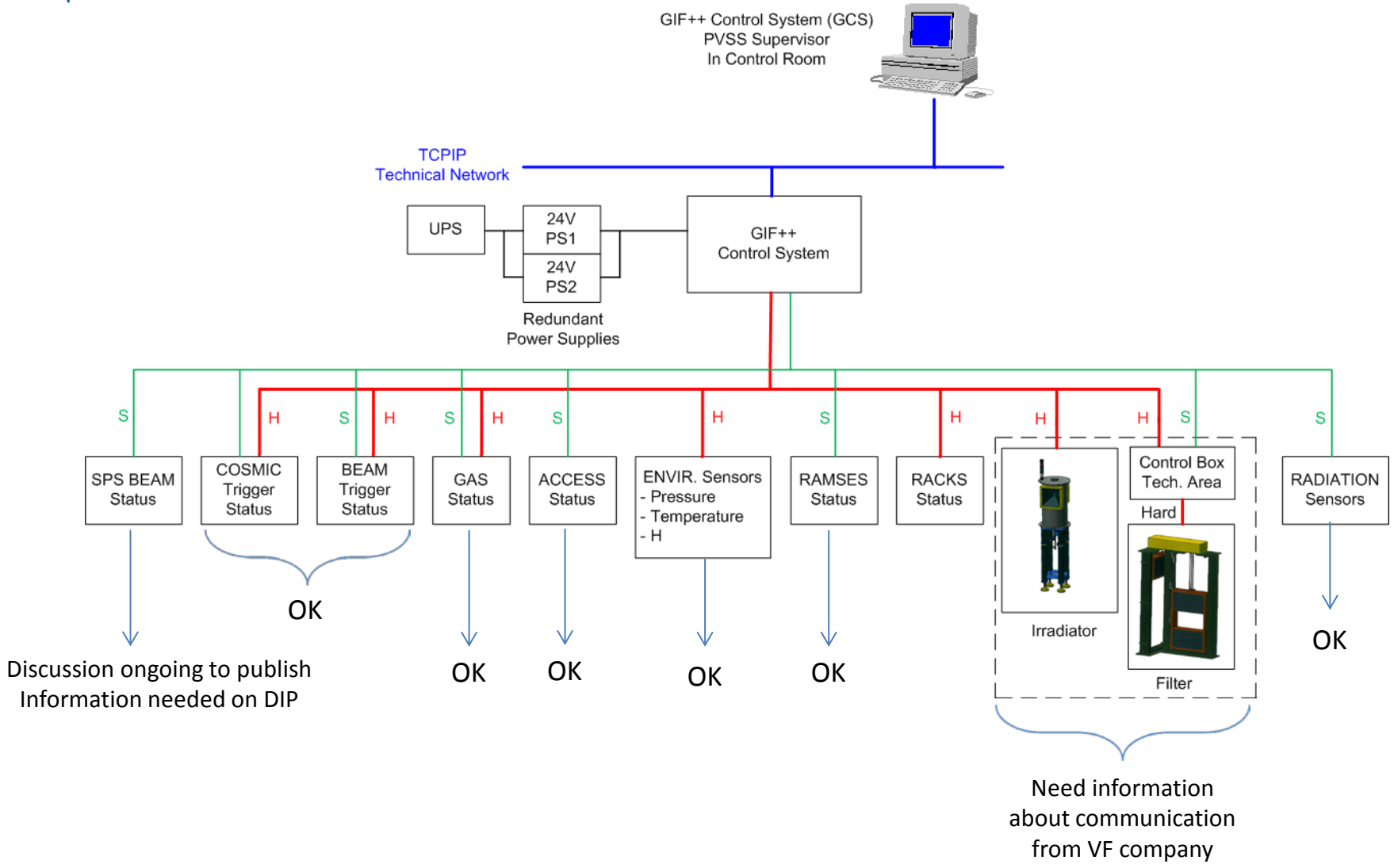




GIF++ Control System (GIFCS)



GIFCS Exchange Signals



DONE

- Control Rack.
- PVSS supervisor.
- Radmon sensors have been implemented and tested in the cRIO & PVSS.
- Environmental sensors have been tested.
- Communication with VF Controller will be finish the next week
- Moving and electrical connection of the GIFCS rack the last week of January.





PVSS Status



Environmental Sensors

Humidity IN Bunker	-25.0 %
Humidity OUT Bunker	-25.0 %
ATM Pressure	964.2 mb
Temperature IN Bunker	25.2 °C
Temperature OUT Bunker	24.8 °C

Environment Sensors by hardware signals

RADMON Status

USER	Position	Distance
Connected	UPSTREAM	
1 - Connected	UPSTREAM	
2 - Connected	UPSTREAM	
3 - Connected	UPSTREAM	
4 - Connected	UPSTREAM	
5 - Connected	UPSTREAM	
6 - Connected	UPSTREAM	
7 - Not connected	UPSTREAM	

Radmon Sensors

Beam Trigger

Status	OFF
Intensity	0.000e+000
Trigger type	TEST
Data Taking	ghkfh

COSMIC & Beam Trigger Information by DIP (float & string)

COSMIC Trigger

Status	ON
Intensity	9.890e+005
Trigger type	UGHF
Data Taking	OIU

Gas Status

SYSTEM 1	<input checked="" type="checkbox"/>
SYSTEM 2	<input type="checkbox"/>
SYSTEM 3	<input type="checkbox"/>
SYSTEM 4	<input type="checkbox"/>
SYSTEM 5	<input type="checkbox"/>
SYSTEM 6	<input type="checkbox"/>

UPSTREAM Attenuator

Request Value: 46415
Current Value: 448

IRRADIATOR

SOURCE ON (UNSAFE) / SOURCE OFF (SAFE)

MOVING, SIREN, VETO, EMERGENCY STOP

DOWNSTREAM Attenuator

Request Value: 1
Current Value: 0

Irradiator Source Status & Filters

Preliminary

Remaining time: [Progress Bar] Device: [Select]

2014.07.07 09:47:37.081 INFO Configuration successfully done
2014.07.07 09:47:37.674 INFO Configuration successfully done

The interface is divided into three main sections: UPSTREAM Attenuator, IRRADIATOR, and DOWNSTREAM Attenuator.

UPSTREAM Attenuator: Features a REMOTE indicator (green circle), a graph icon, and a list of filter settings (A1-C3) with checkboxes. A 'Request Value' dropdown menu is set to 46415.

IRRADIATOR: Contains two large circular indicators for SOURCE ON (UNSAFE) and SOURCE OFF (SAFE), and four smaller circular indicators for MOVING, SIREN, VETO, and EMERGENCY STOP.

DOWNSTREAM Attenuator: Features a REMOTE indicator (green circle), a graph icon, a 'Request Value' dropdown menu set to 1, a 'Current Value' display showing 0, and a list of filter settings (A1-C3) with checkboxes. Buttons for MAX, APPLY, and STOP are located at the bottom.

Finish communication the next week (A. Kehrli).



Conclusion



TO BE DONE

- Control Rack installation & connection. End of the January.
- Commissioning possible in February.
- **Need Technical Network.**
- Need publication on DIP for all subsystems.
- Install OWS in the control room.
- Move PVSS application in data server.