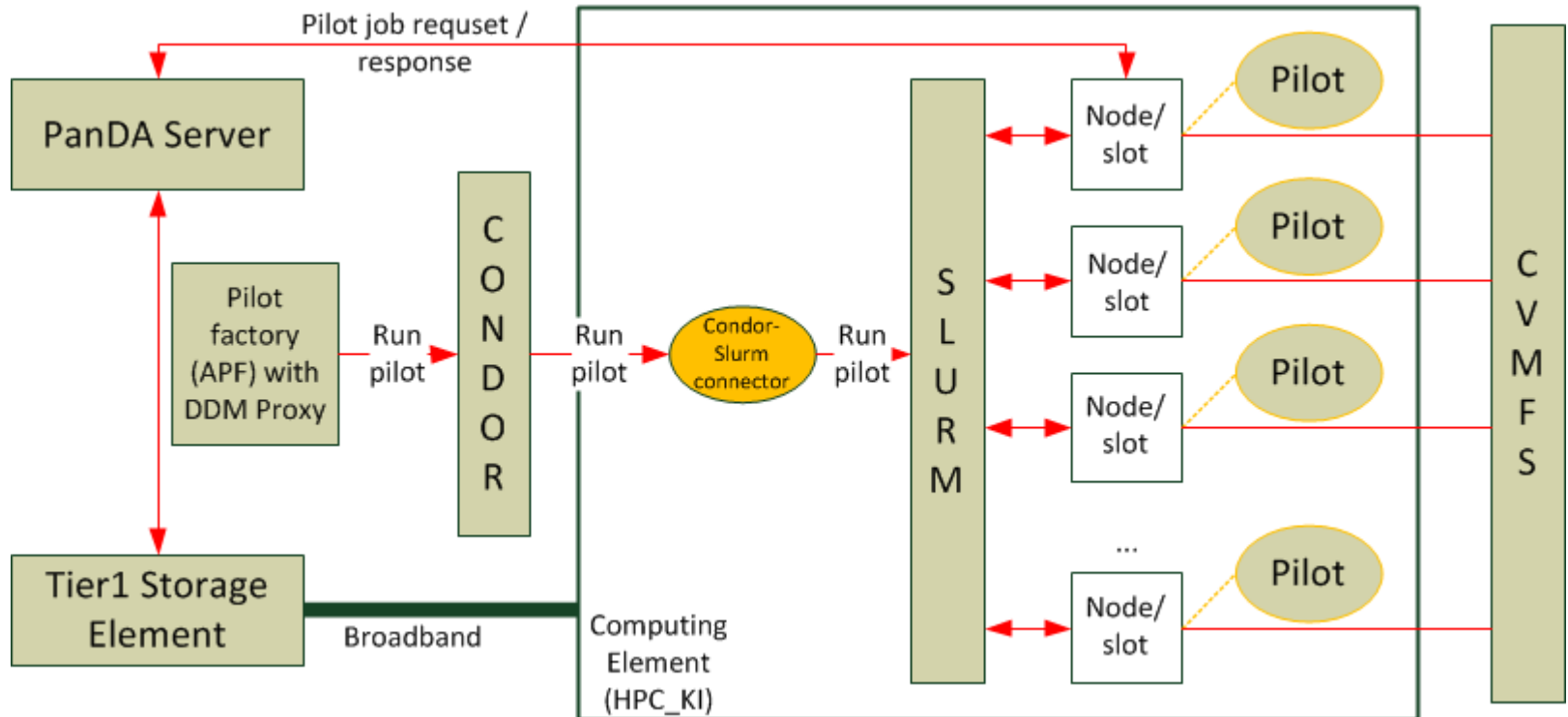
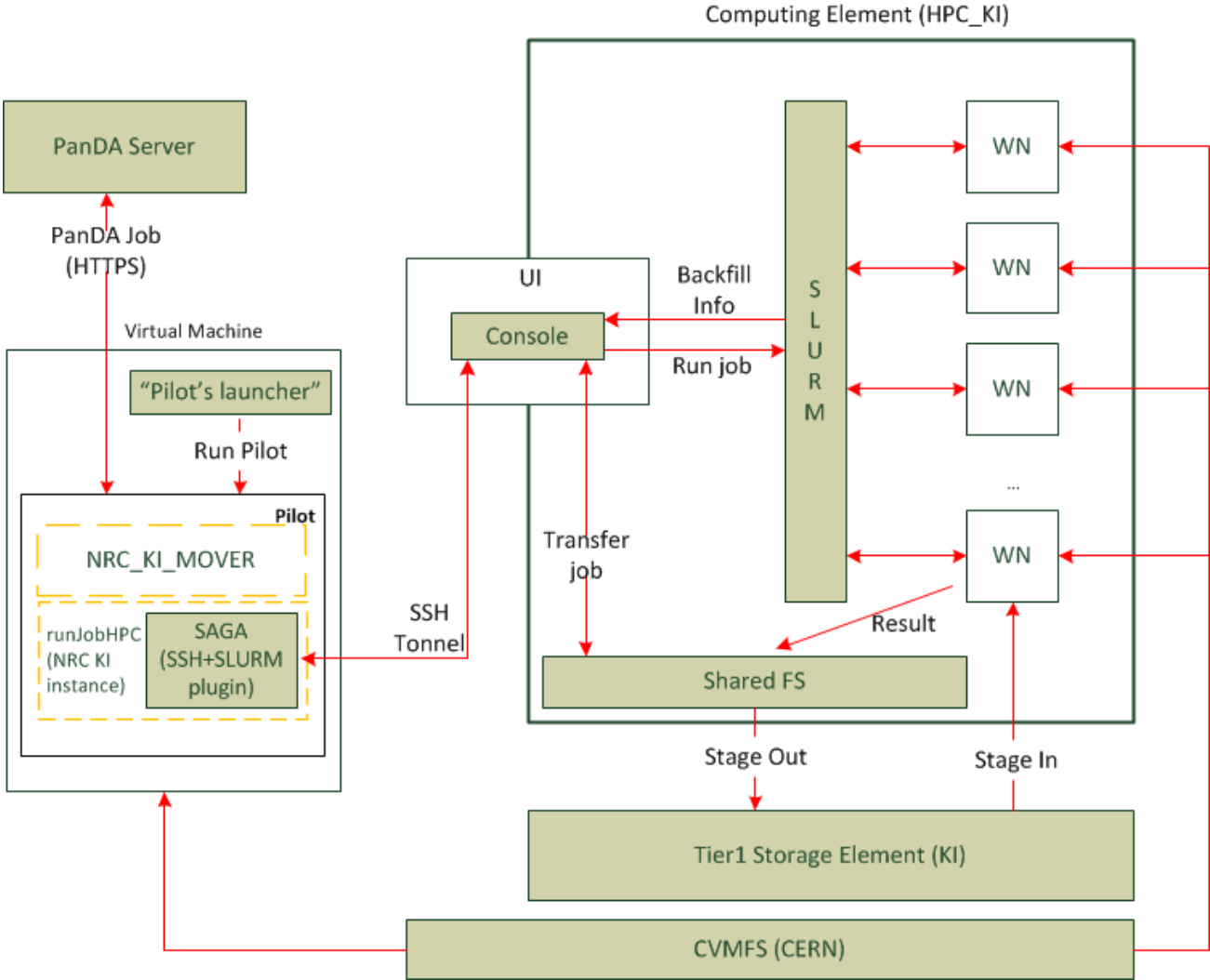


HPC pilot @NRC KI
supercomputer

One Pilot – One Task



One Pilot – Many Tasks



Components to implement

- RunJobKurchatovHPC (requests jobs, checks resources, run Payload) uses SAGA SSH+SLURM plugin for the communication with the Kurchatov supercomputer.
- KISiteMover (makes staging In/Out operations on the supercomputer). Not implemented yet.
- Pilot's launcher. Runs Pilots successively one after another.