

# Support System: simulation with both cavities

# A: Modal

Figure

Type: Total Deformation

Frequency: 40.571 Hz

Unit: mm

22/02/2015 17:39

# 40.6 Hz

3.3434 Max

2.9719

2.6005

2.229

1.8575

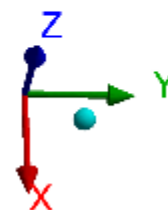
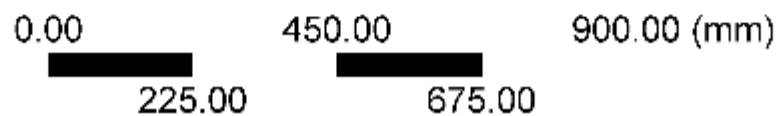
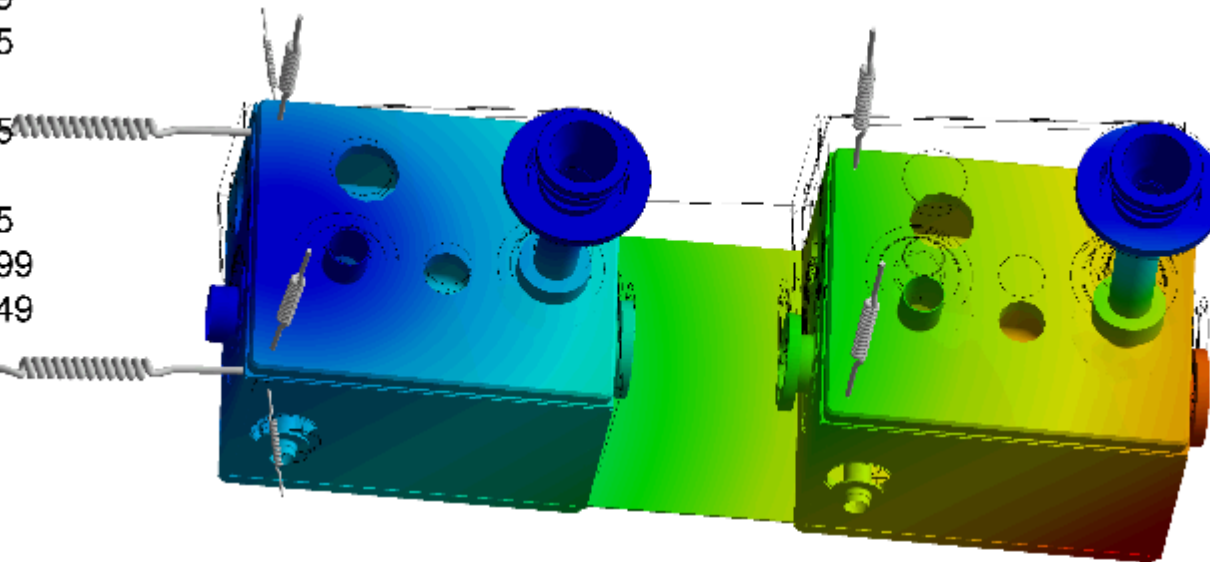
1.486

1.1145

0.74299

0.37149

0 Min



## B: Modal cartesian 2 - 2

Figure

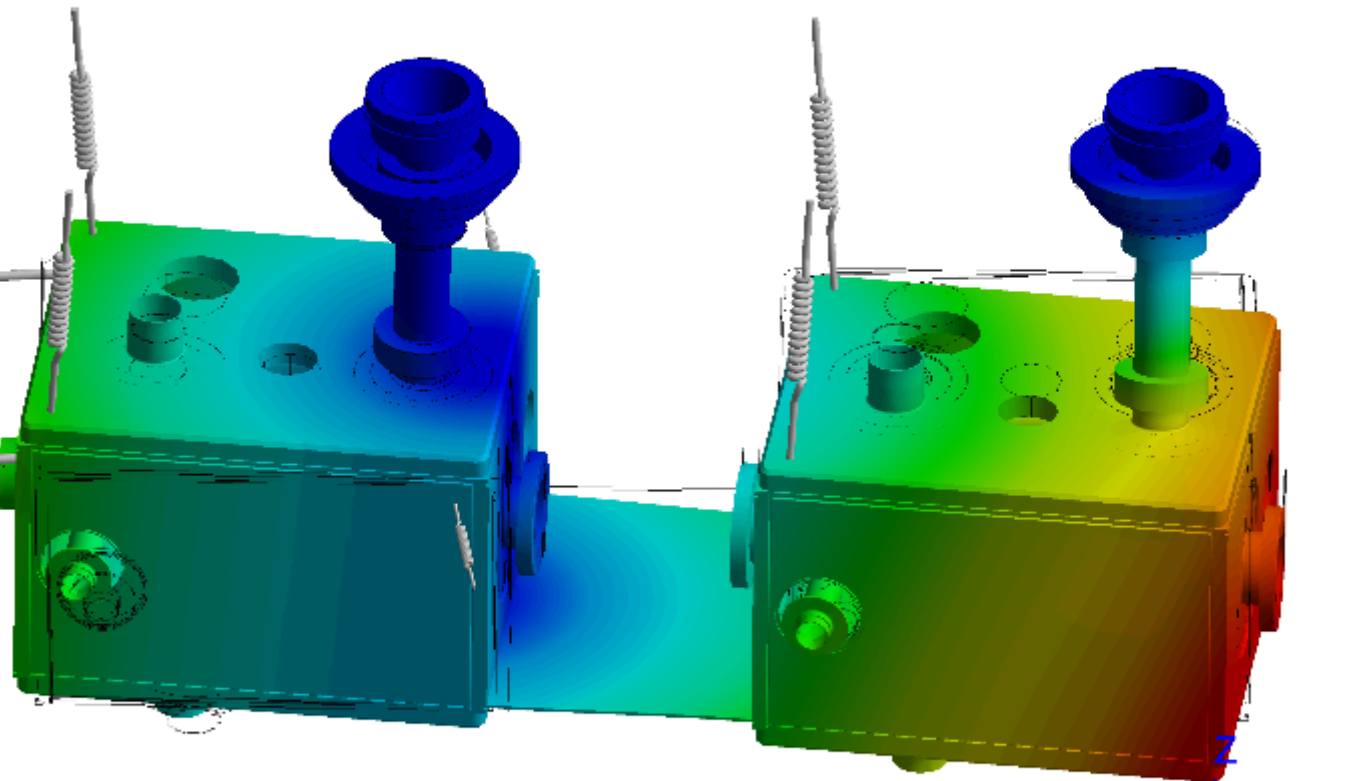
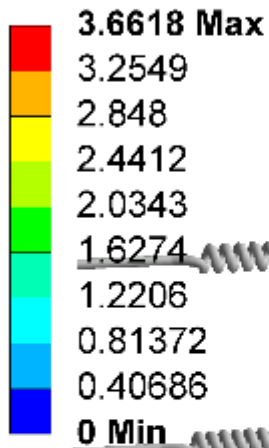
Type: Total Deformation

Frequency: 45.944 Hz

Unit: mm

22/02/2015 17:42

# 46 Hz

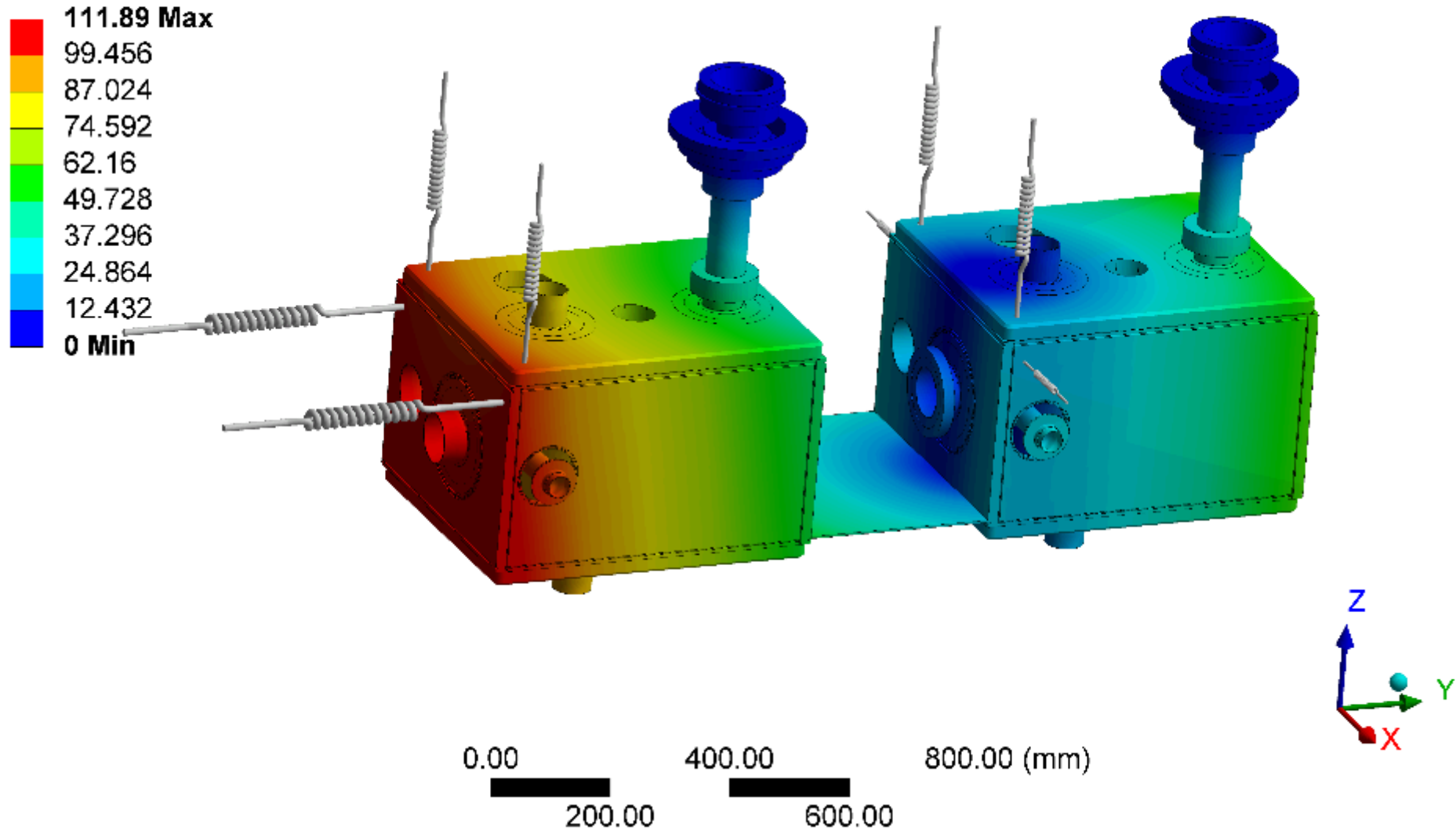


0.00 350.00 700.00 (mm)



**Figure**  
Type: Total Deformation  
Frequency: 40.964 Hz  
Unit: mm  
22/02/2015 17:51

41 Hz



# D: Modal cartesian 2 cav - 4

Figure

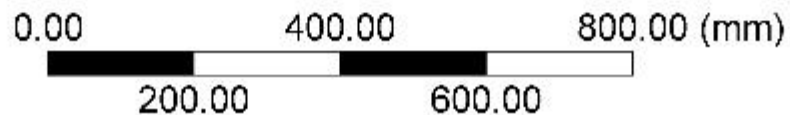
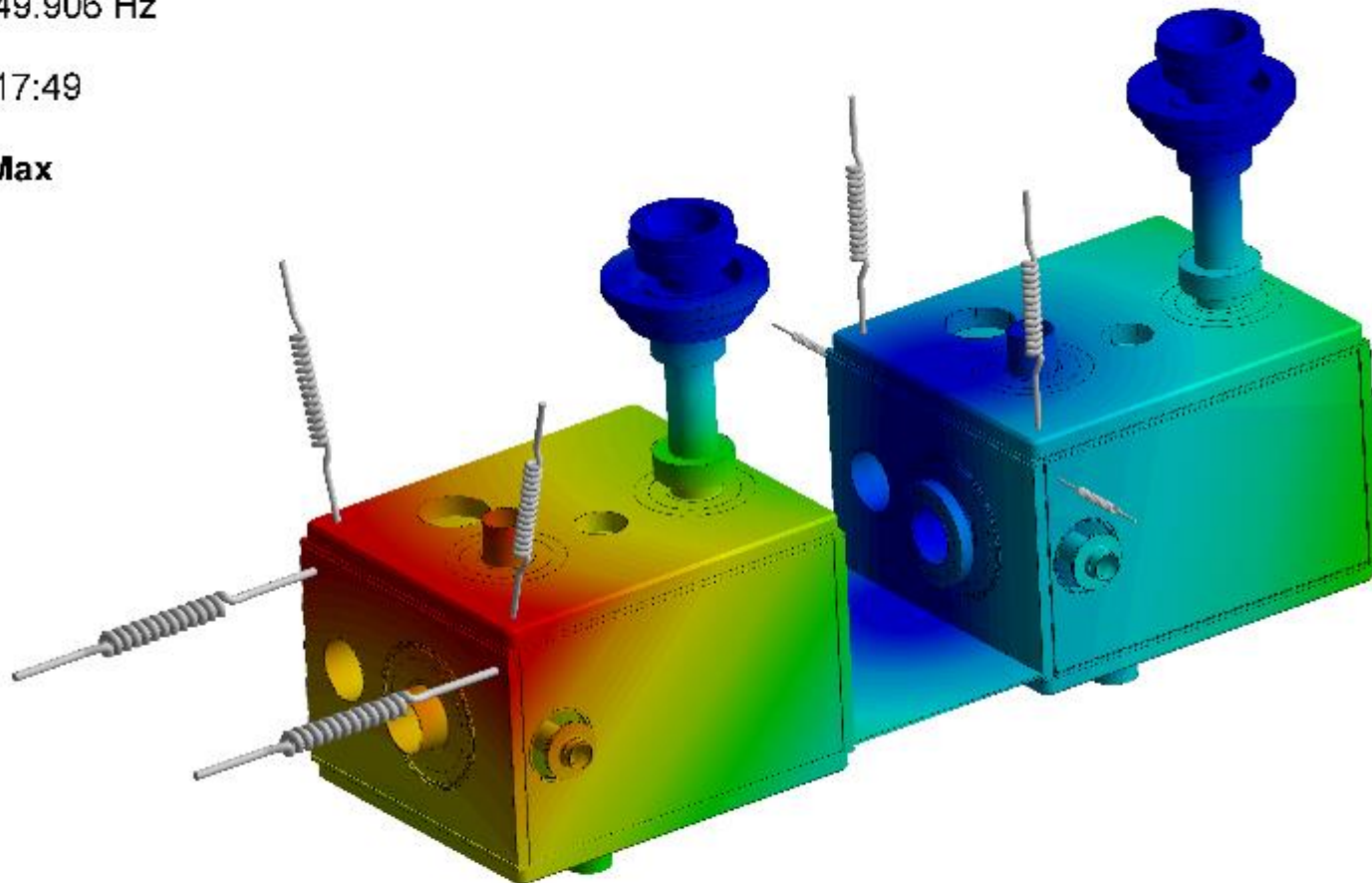
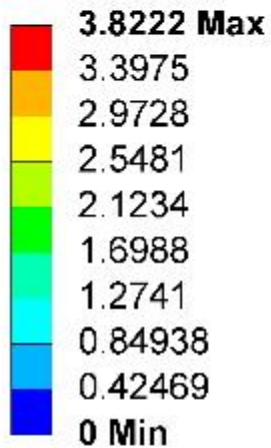
Type: Total Deformation

Frequency: 49.906 Hz

Unit: mm

22/02/2015 17:49

# 50 Hz



# E: Modal cartesian 2 cav - 5

Figure

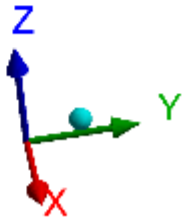
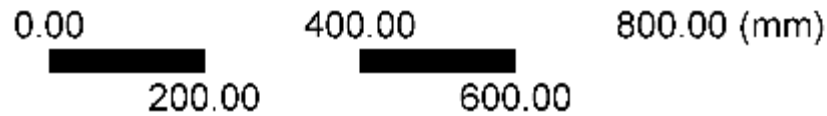
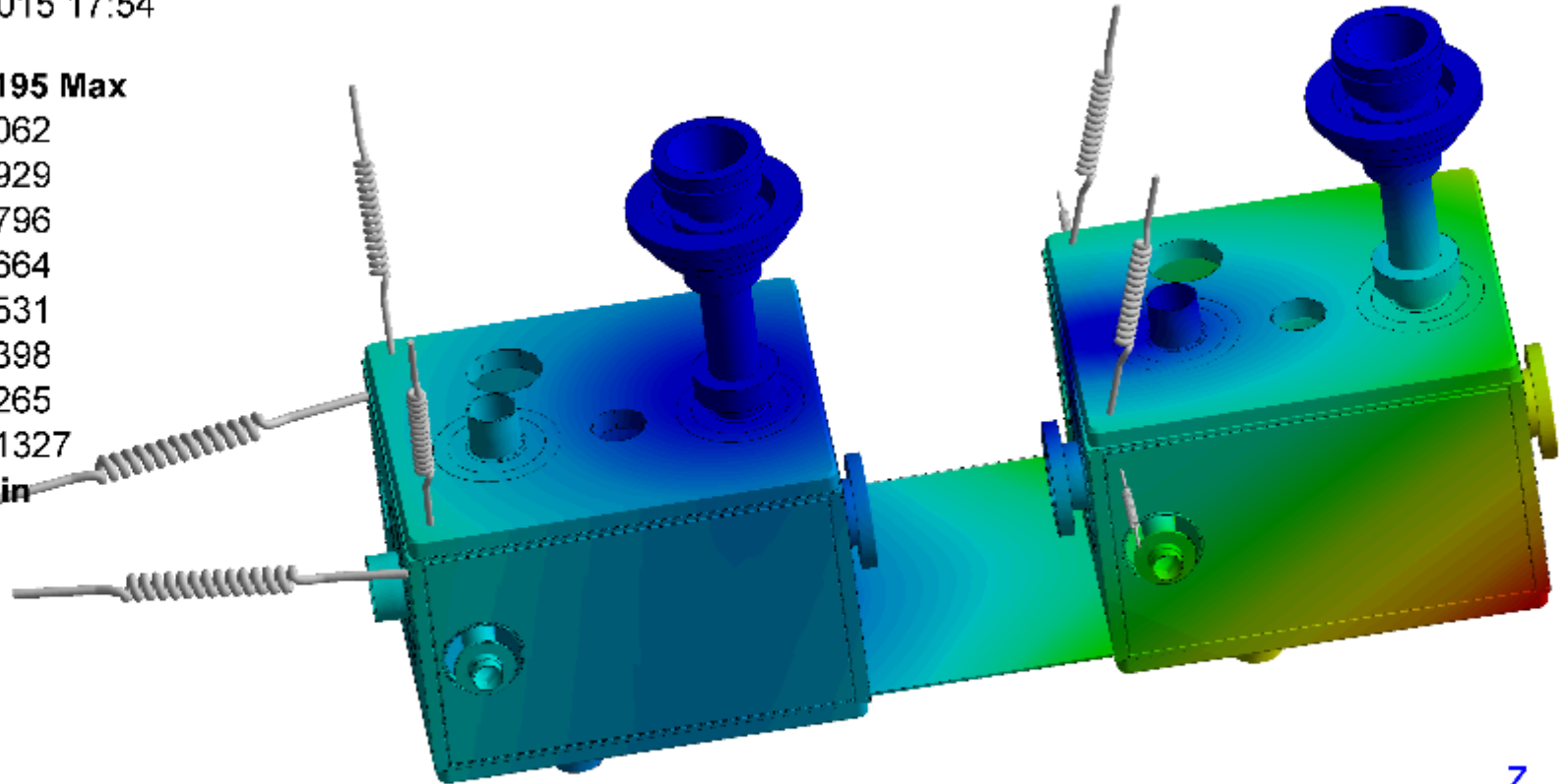
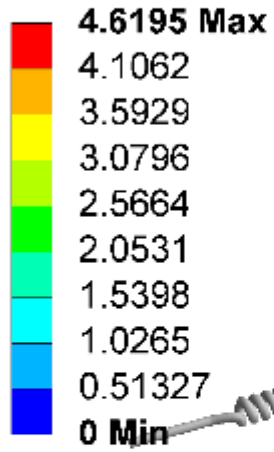
Type: Total Deformation

Frequency: 60.928 Hz

Unit: mm

22/02/2015 17:54

# 61 Hz



# Modal vs. Thermal performance

1 <sup>st</sup> Mode [Hz]	Radius [m]	Thermal load (300K), [W]	Thermal load (80K), [W]
22.7	0.0013	0.4	0.0
32.5	0.0022	1.2	0.1
39.4	0.0028	2.0	0.2
42.3	0.0031	2.4	0.3
45.0	0.0034	2.8	0.3
47.4	0.0036	3.2	0.4
49.6	0.0038	3.6	0.4
51.7	0.0040	4.0	0.5
53.6	0.0042	4.4	0.5
55.4	0.0044	4.8	0.6
57.1	0.0046	5.2	0.6
58.7	0.0048	5.6	0.6
60.8	0.0050	6.1	0.7

# Support System: simulation with both cavities

Cases with rods from above (only) and stiffer intercavity connection



# H: Modal cartesian 2 cav - 7 (only top rods)

Figure

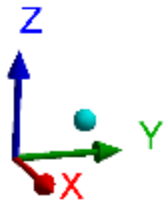
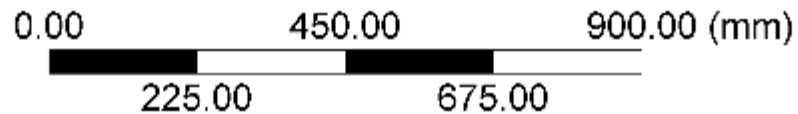
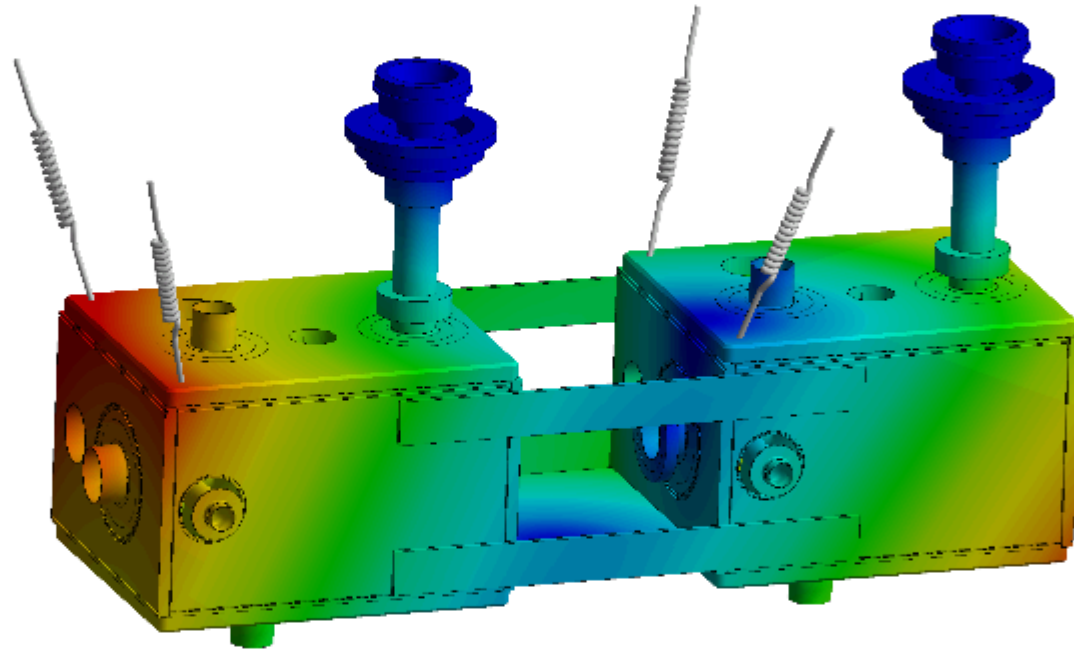
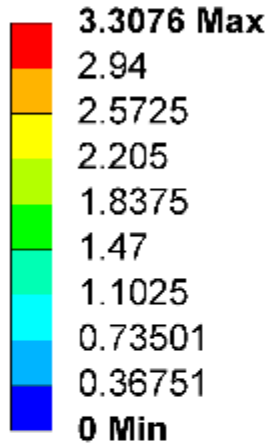
Type: Total Deformation

Frequency: 34.834 Hz

Unit: mm

22/02/2015 18:01

## 35 Hz



# J: Modal cartesian 2 cav - 9 (only top rods)

Figure  
Type: Total Deformation  
Frequency: 36.09 Hz  
Unit: mm  
22/02/2015 18:04

## 36 Hz – along beam axis (2<sup>nd</sup> at 40 Hz)

