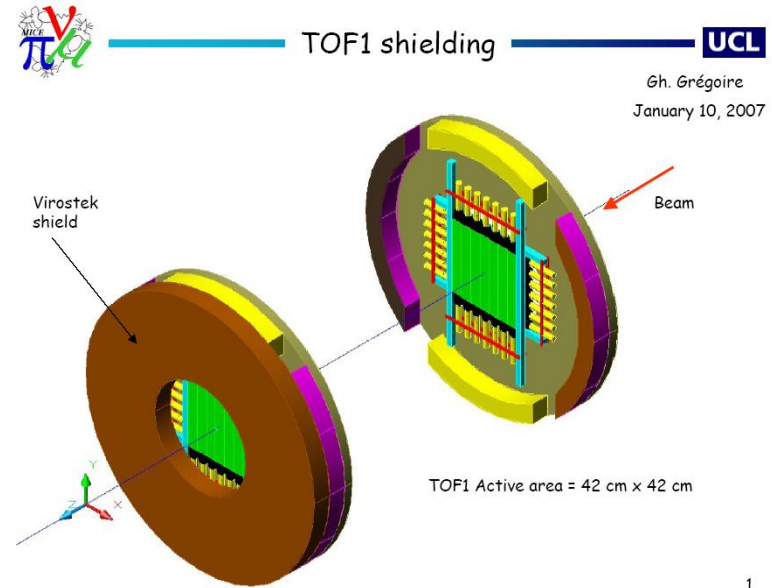
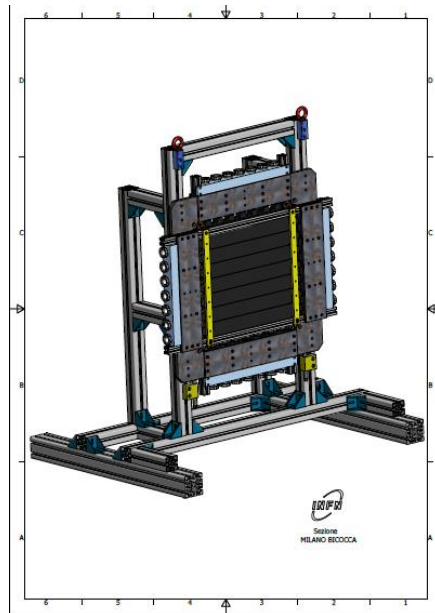


TOF commissioning

M. Bonesini
Sezione INFN Milano Bicocca

TOF1 local shielding (Nov 2014)



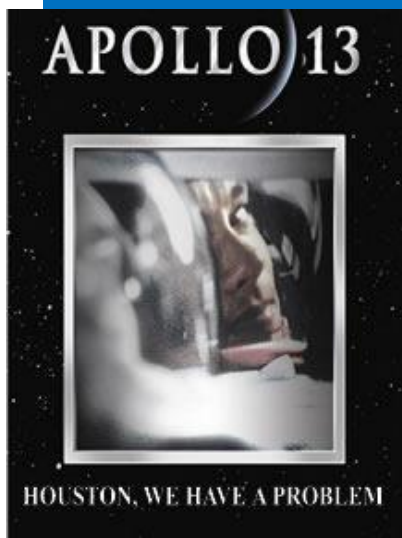
- Local shielding for TOF1 (as TOF2) instead of cage, to fit PRY
- Intervention done in Nov 2014

In its final place ...



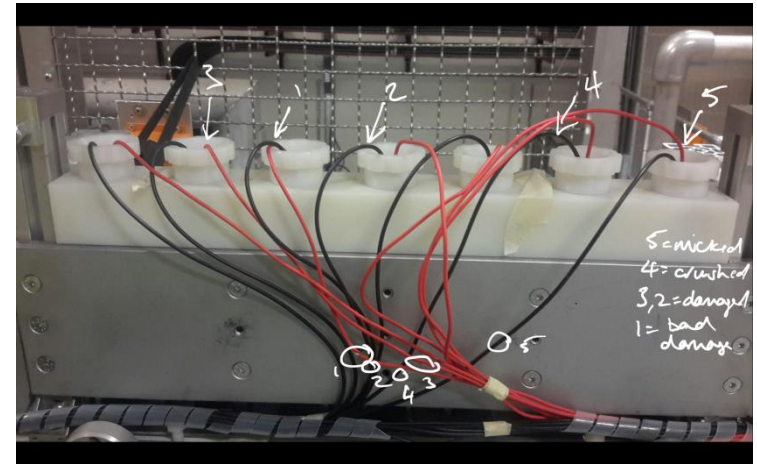
Readiness of TOF system for STEP IV

- The TOF system (TOF0,TOF1,TOF2) is working smoothly since 2009 and we do not foresee problems for STEP IV operations
- The only difference is the presence of fringe fields from solenoids (but shielding must work as simulations were correct)
- After shielding operations on TOF1 only 1 PMT was found broken and replaced



Houston we had a problem

- during maintenance operations for tracker some TOF1 cables were damaged



- luckily no major problem: all solved by MICE-OM (Victoria) + Pierrick
- I and Roberto will re-check all stuff this week