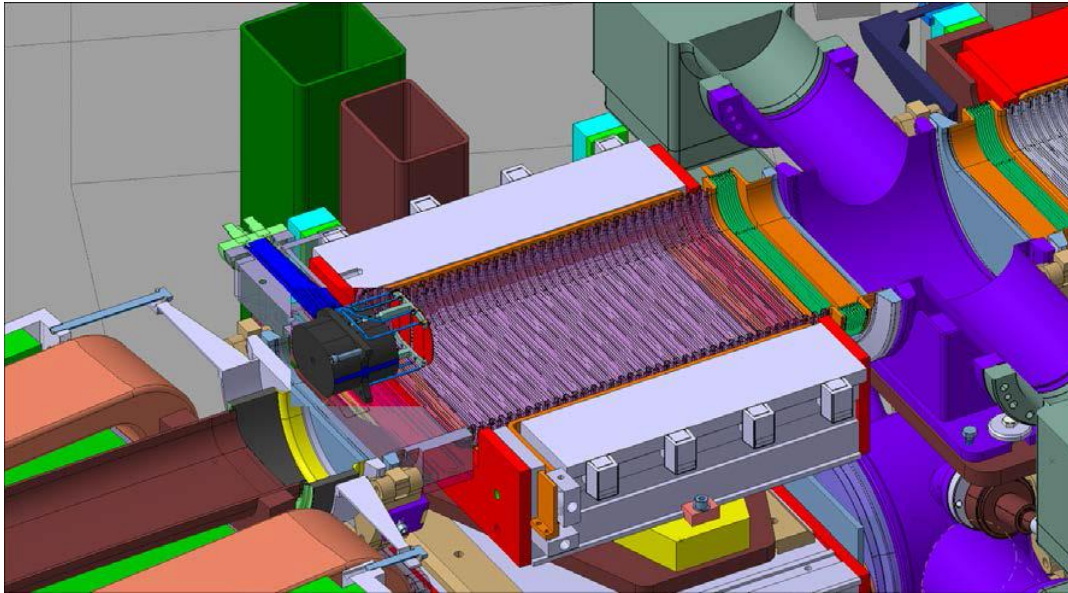


# Ho/H- Dumps readiness



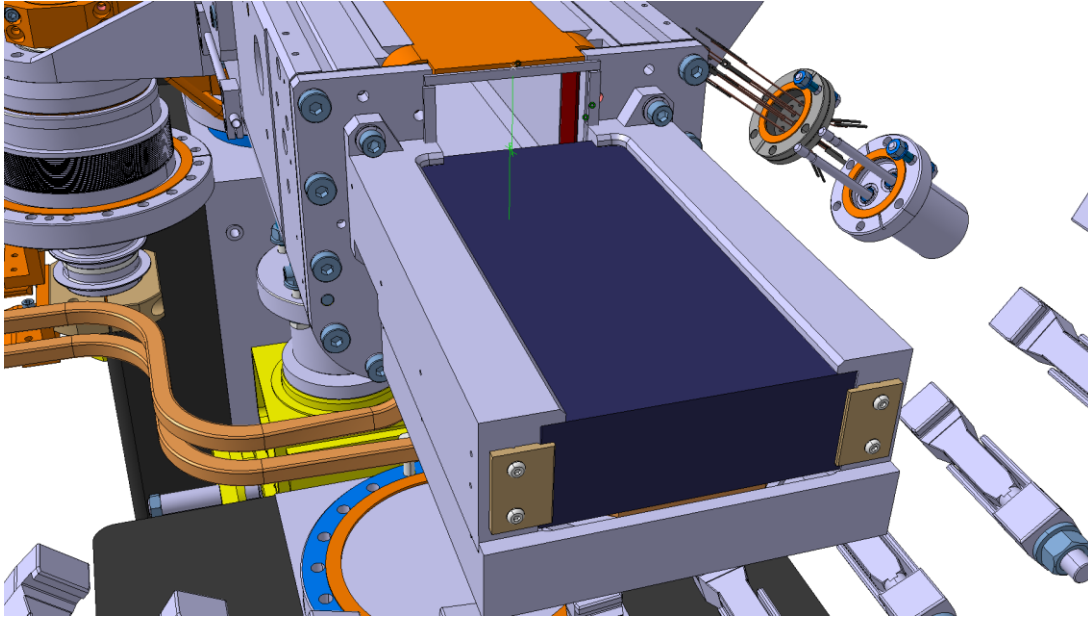
Technical Spec: Edms 1293512  
Technical drawings: PSBVCDOA0035 & PSBTDIMA0001  
EVM Wu id: 91906  
To be manufactured: 8 (4 installed + 4 spares)

## Status:

- Design completed (EN-MME), drawings have to be validate to start production (review planed in March)
- Titanium dump already ordered and should be delivered in week 11 (EN-STI)
- Screen to be produced (BE-BI)
- Control (hardware & software) under study (EN-STI)

Expected delivery date to TE-ABT for integration: mid 2015 (June)

# Head&Tail Dumps readiness



Technical Spec: Edms 1145567  
Technical drawings: PSBTDI\_\_0001  
EVM Wu id: 91905  
To be manufactured: 6 (2 installed + 4 spares)

## Status:

- Design completed (EN-MME), drawings have to be signed soon to start production
- Prototype to validate the design already done and approved (EN/STI)
- Graphite dump already at CERN (EN-STI)
- Control (hardware & software) under study (EN-STI)

Expected delivery date to TE-ABT for integration: mid 2015 (June)