

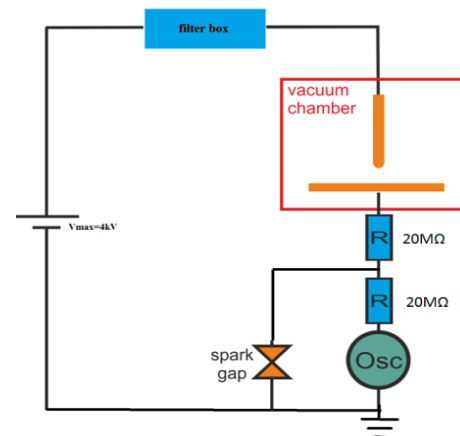
Update FE fluctuation measurement

Tomoko MURANAKA

BD Meeting 01 April 2015

To do list

- 50kHz noise identification / reduction.
 - Disappeared (?) Didn't see on this Monday & Tuesday.
 - Hard to modify the HV supply side of the circuit (in this timescale).
 - Check the purpose and effect of the PFL installed by Mike with Iaroslava (in the beginning of 2014? I haven't used it).



- Shorter & longer time base measurement (8ns to 10 μ s): DONE
- Shorter & longer time base measurements with shorter & longer waiting time: Today