



Science & Technology
Facilities Council

PLC Workshop

**Adrian Oates
Daresbury Laboratory
Warrington
Cheshire
UK**

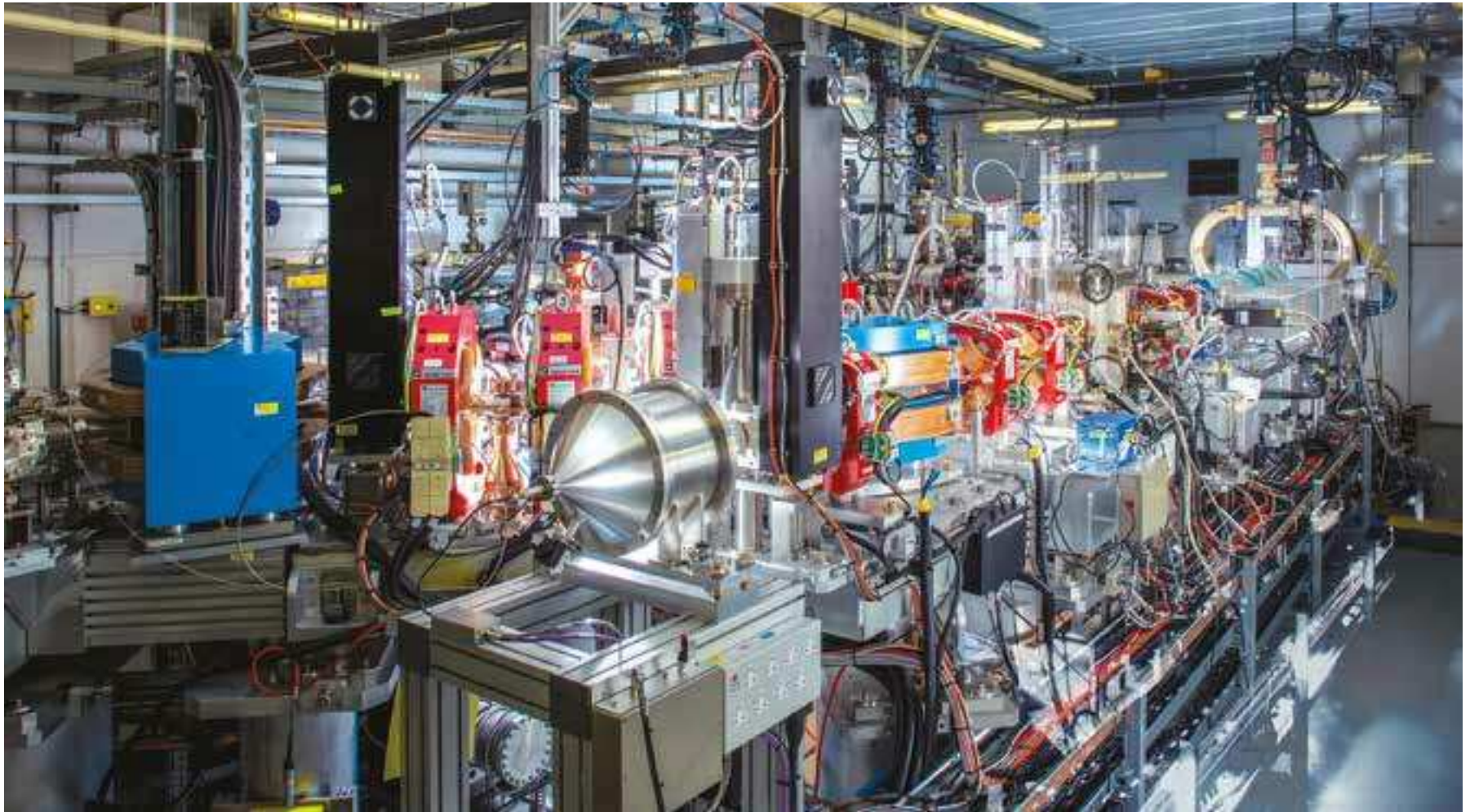


What we do

- CLARA
 - Research FEL Technology.
 - MICE RAL
 - Muon Cooling experiment
 - Contract Work
 - ESS high Beta cavity testing
 - ELI-NP beamline
-



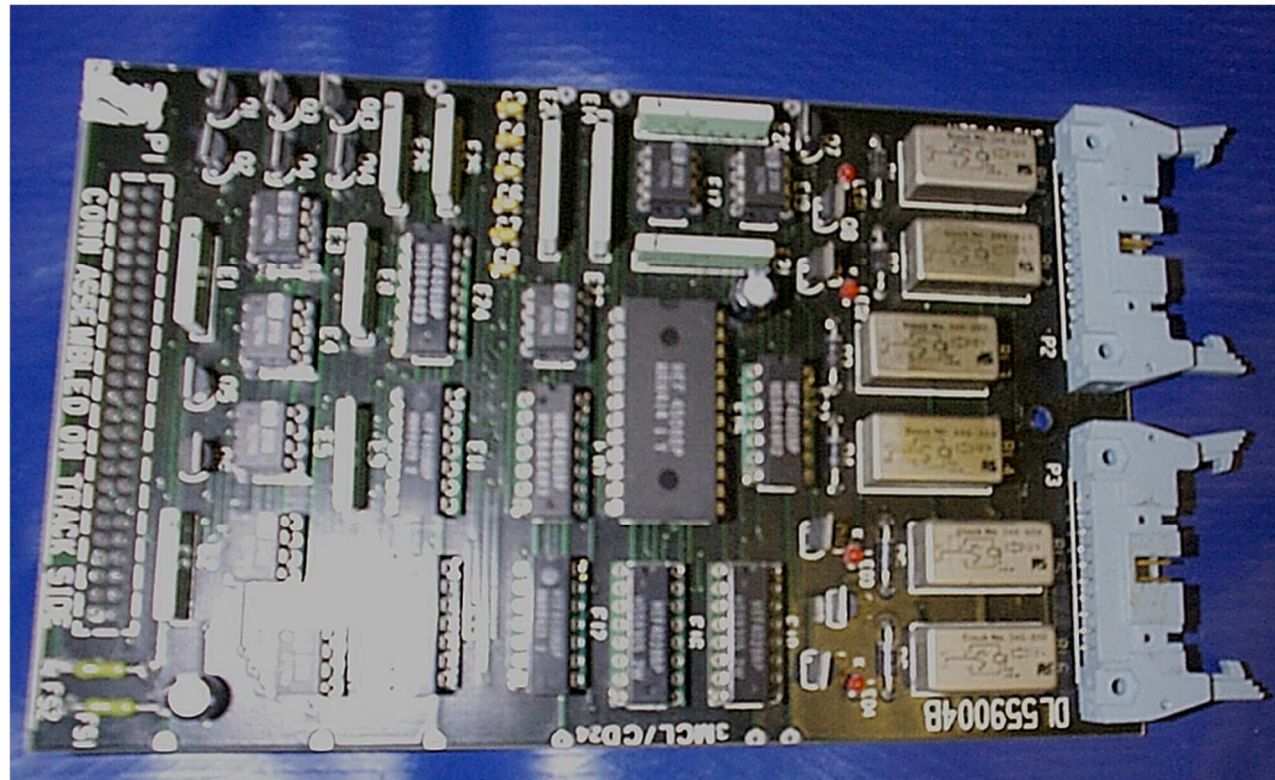
CLARA





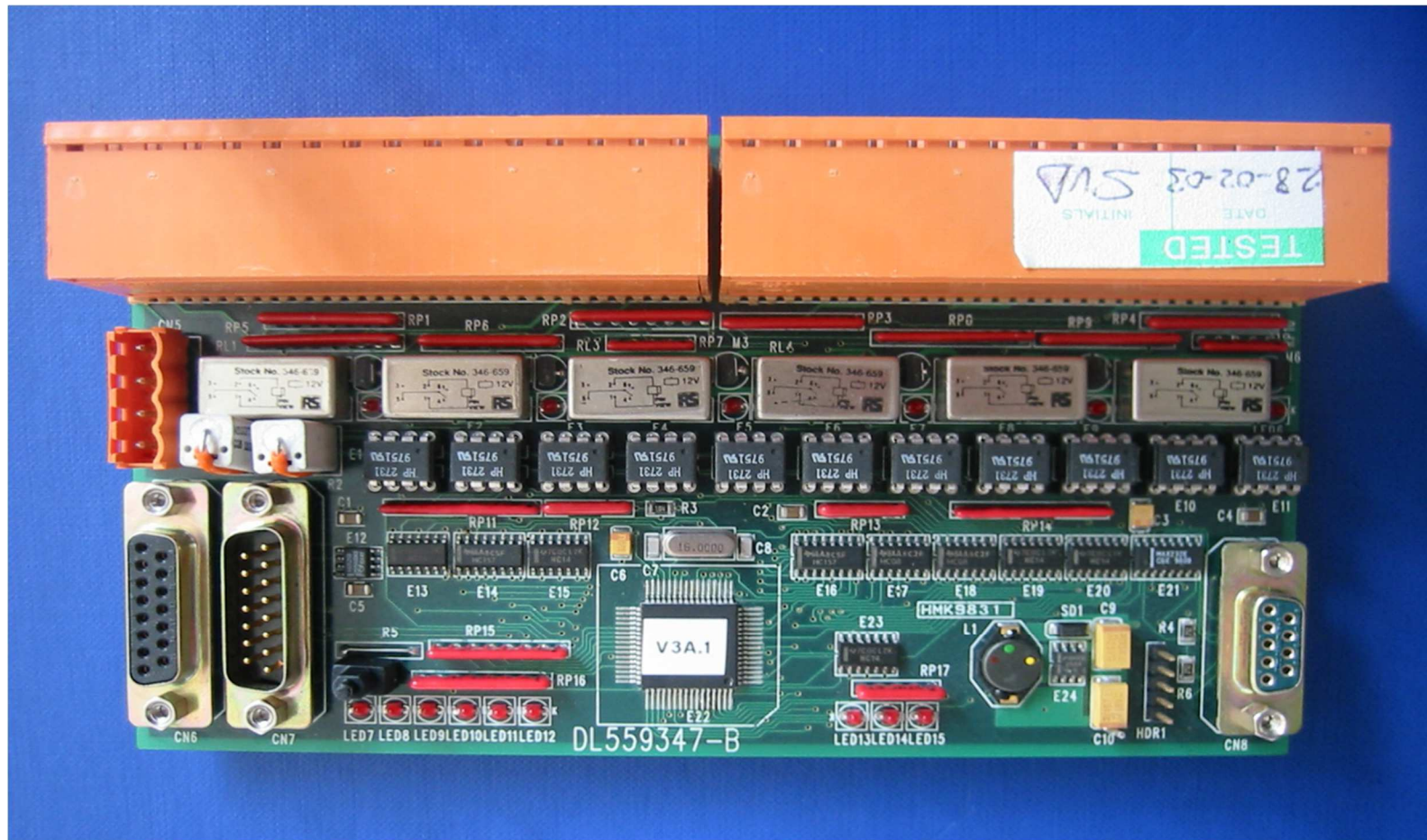
Status History

- MK2 Status system



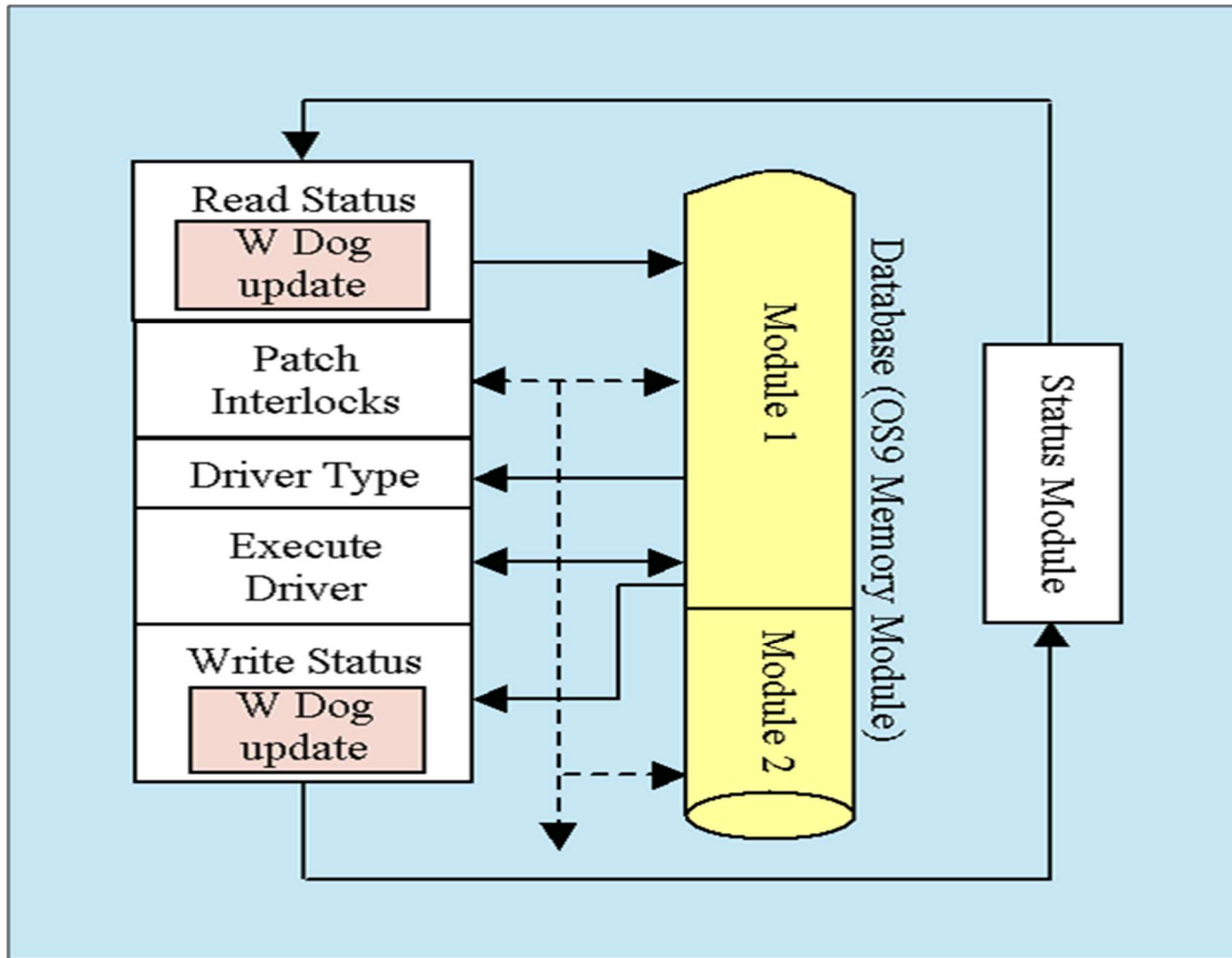


- MK3 Status System





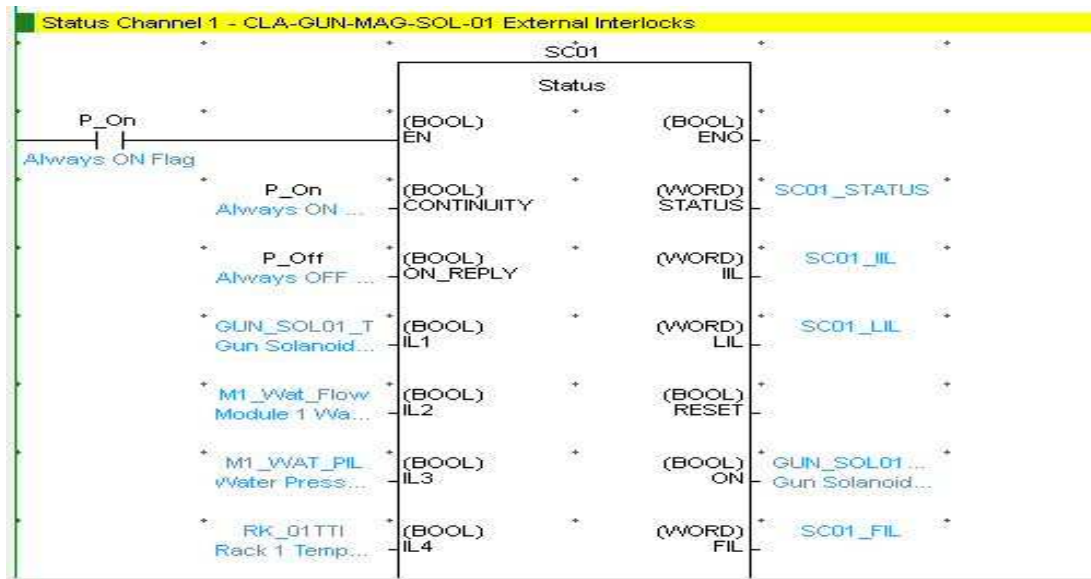
Status Operation





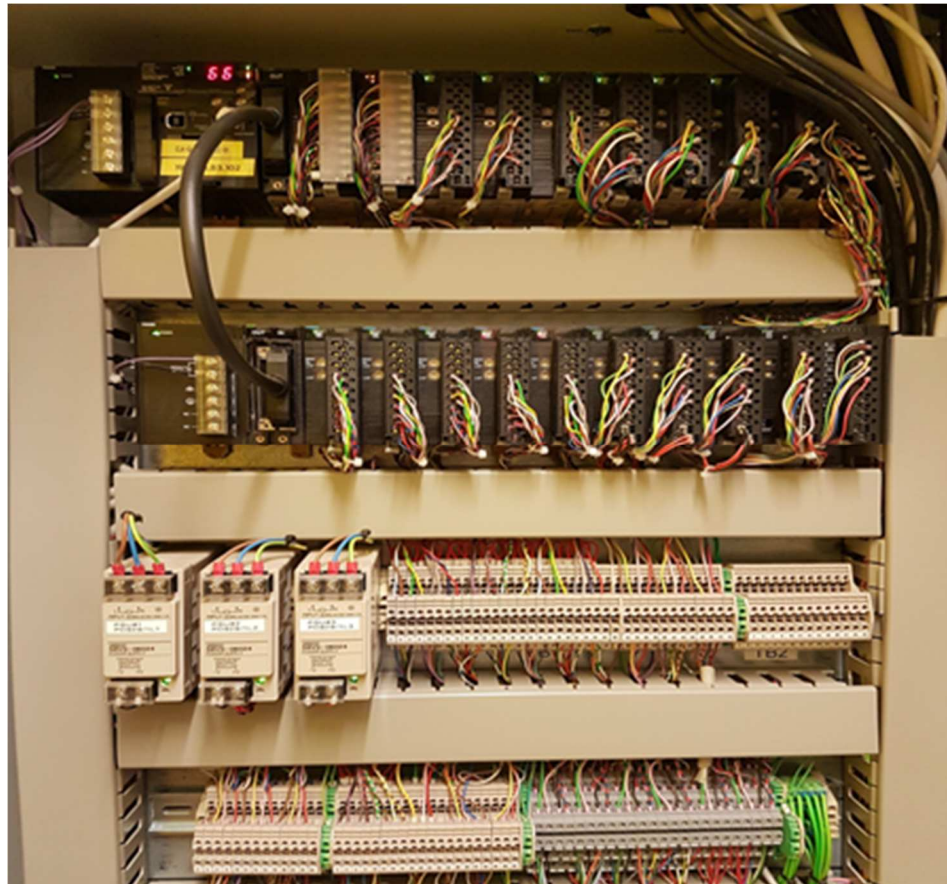
Omron CJ2 PLC

- Communicates via Omron FINS protocol to EPICS
- Status function Block for Valves, PSU's etc
- Predefined status structure.
- Now being used for feedback control and custom control.





Omron PLC





Areas of use

- Vacuum
 - Magnet Power Supplies
 - RF protection
 - Temperature Control (Paper)
 - PS Interface
-