

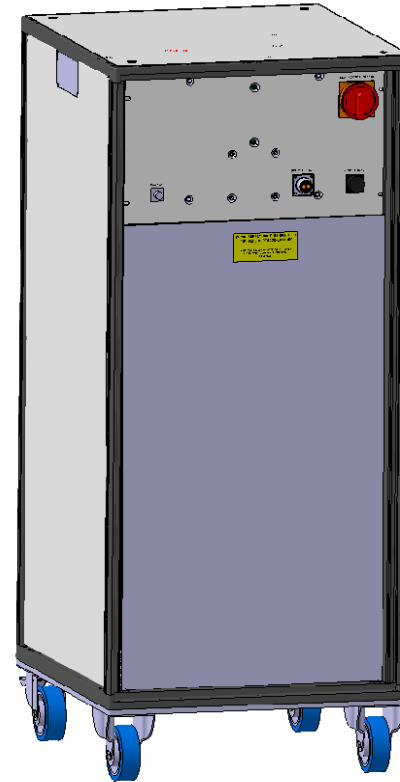
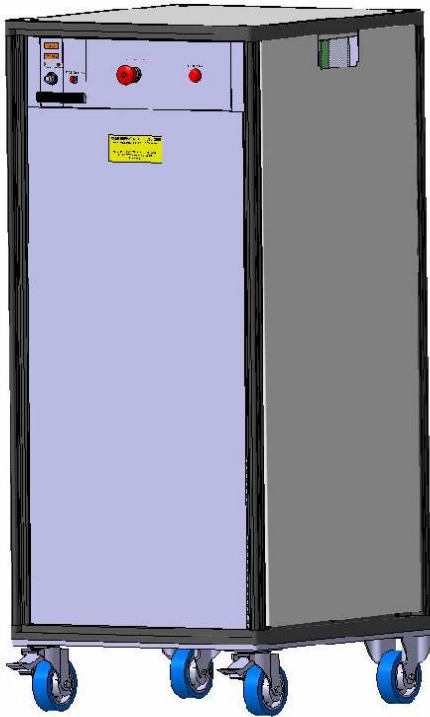
CLIQ power supply

Integration



General view:

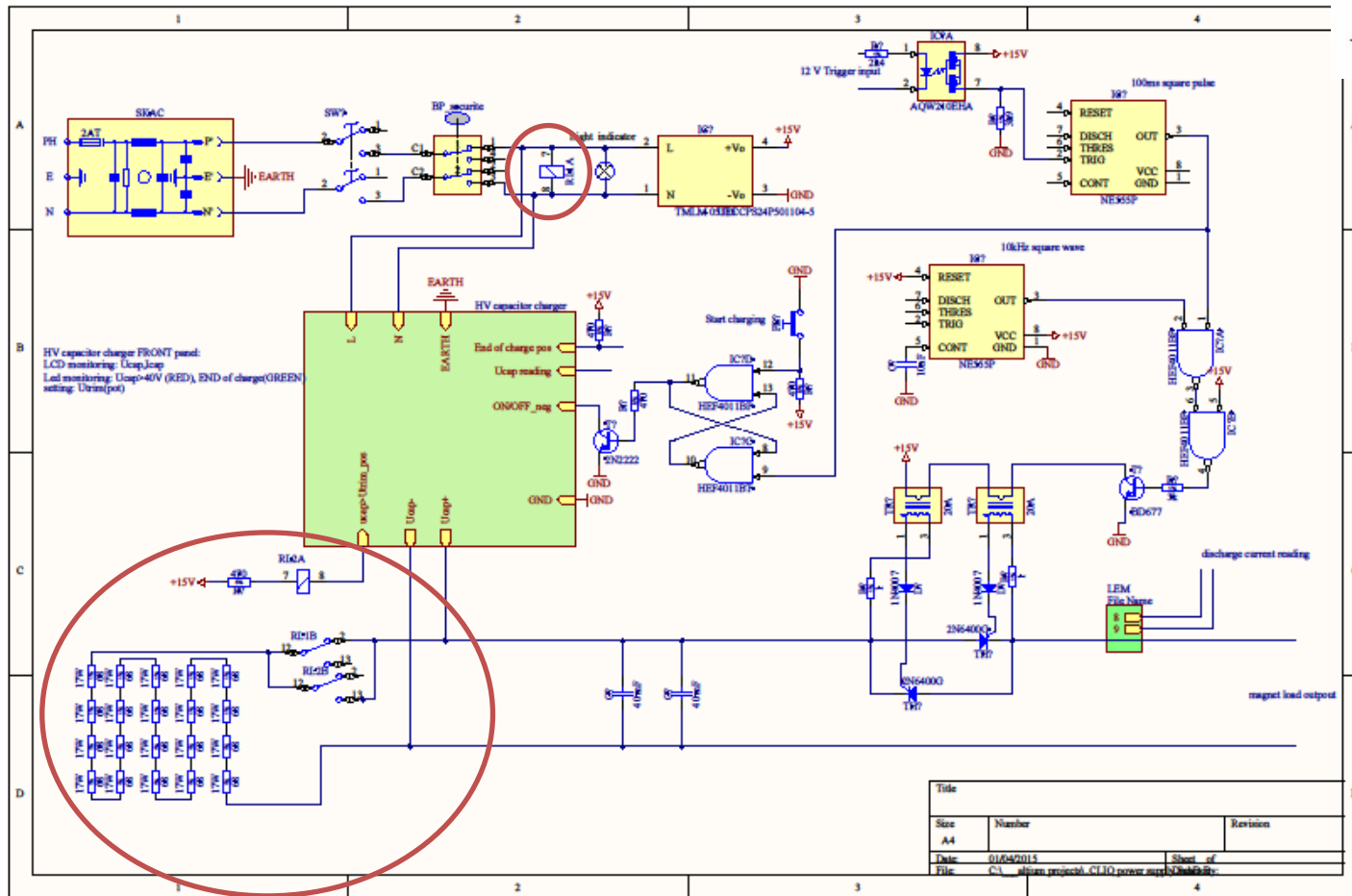
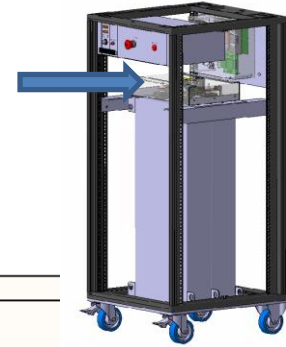
- Schroff rack 19" 25U (500mm x 600mm x 1120mm).
- 2 fixed wheels +2 castor wheels with brake \varnothing 100mm.

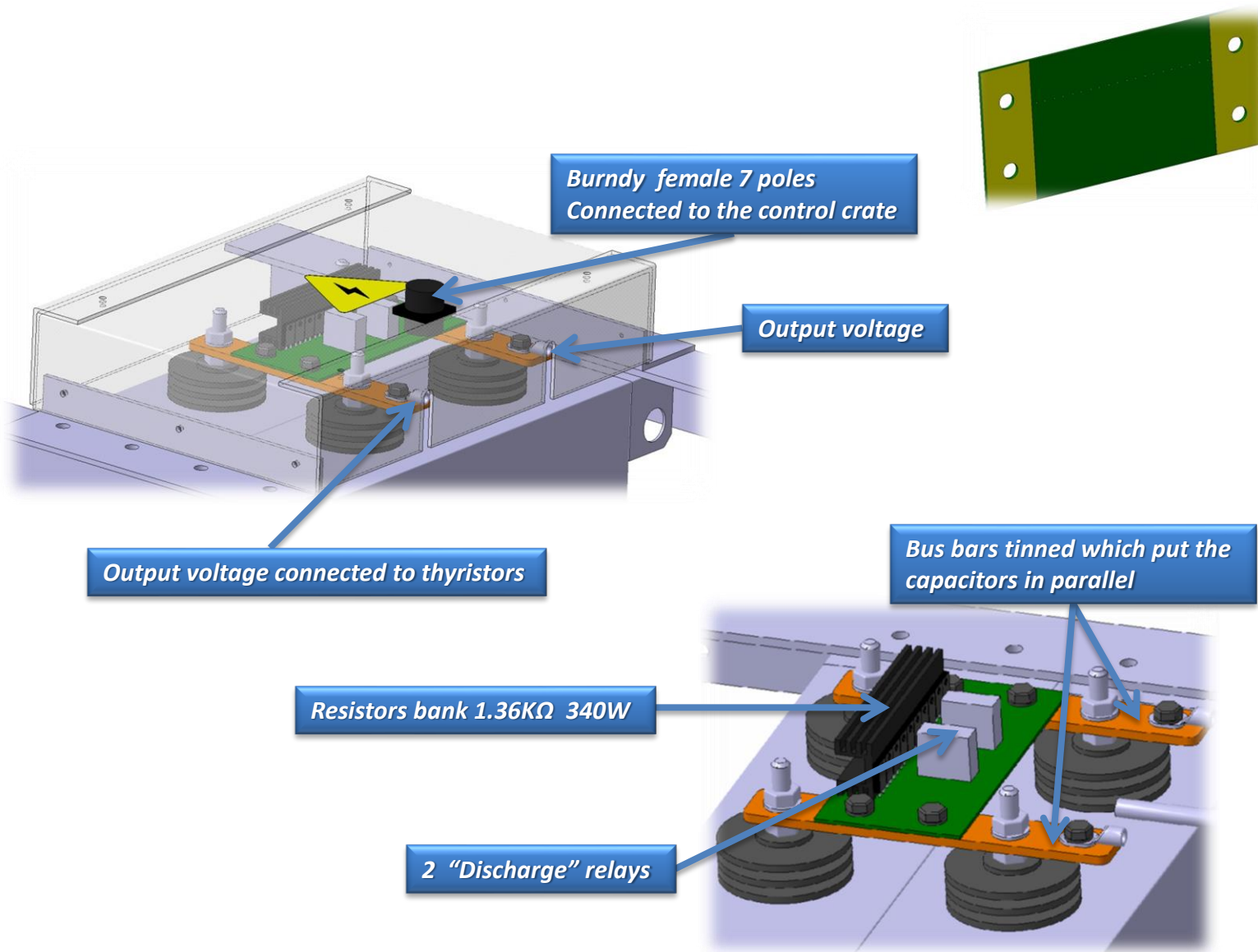


Capacitors bank:

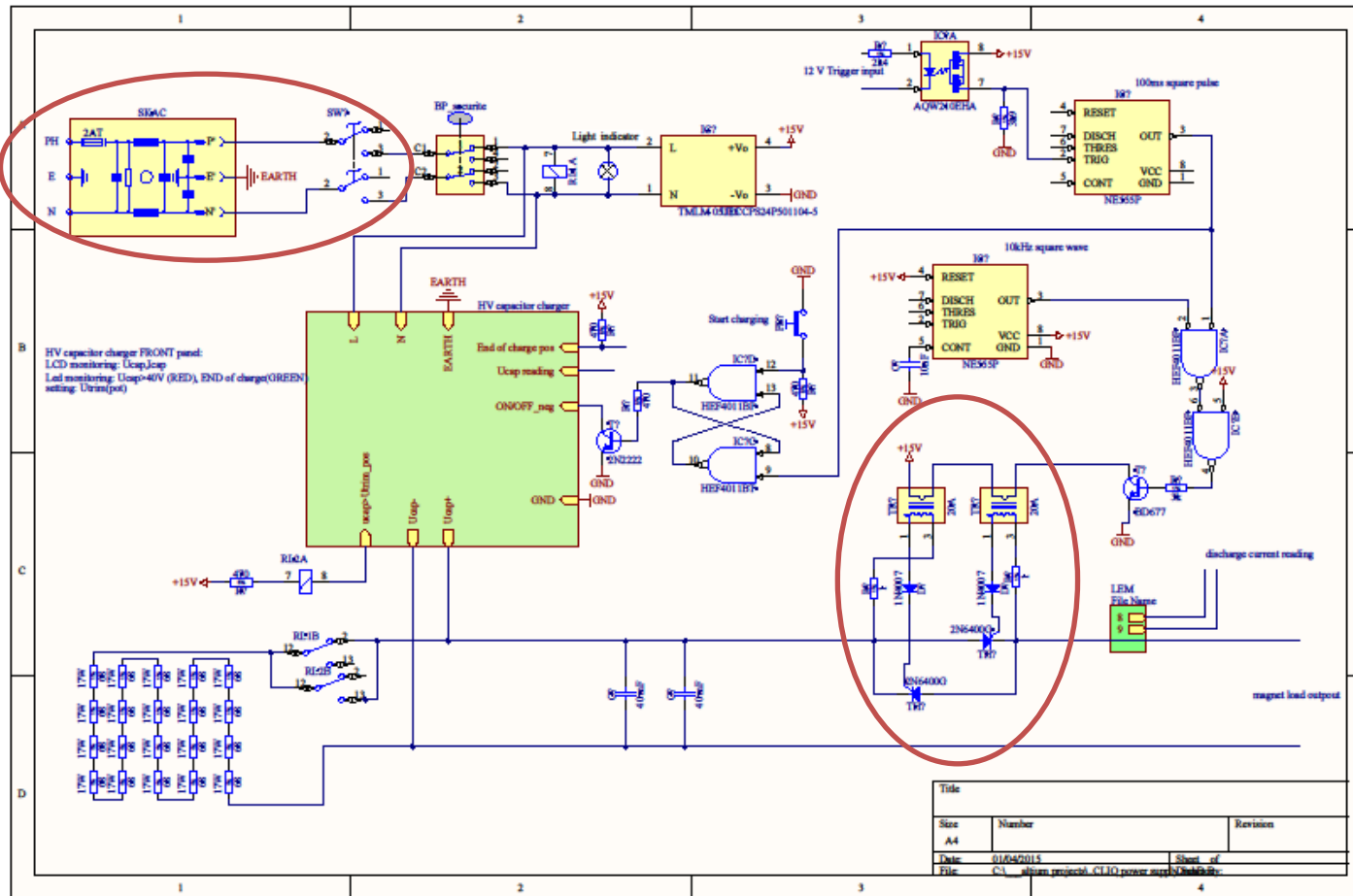


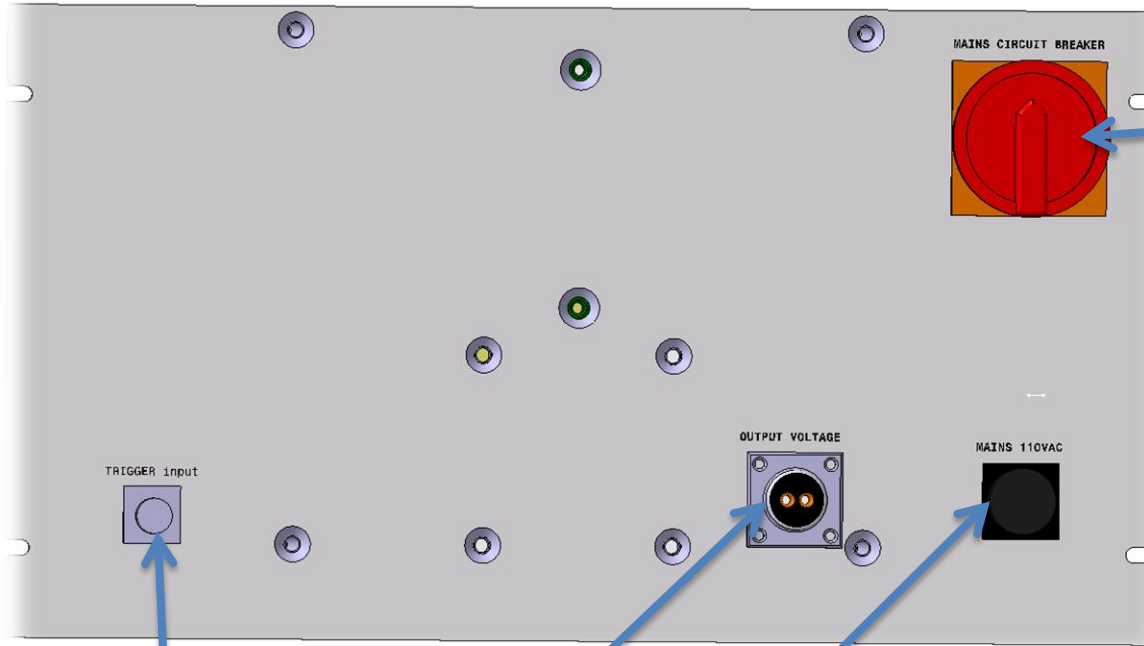
Internal Discharge board:





Rear panel:





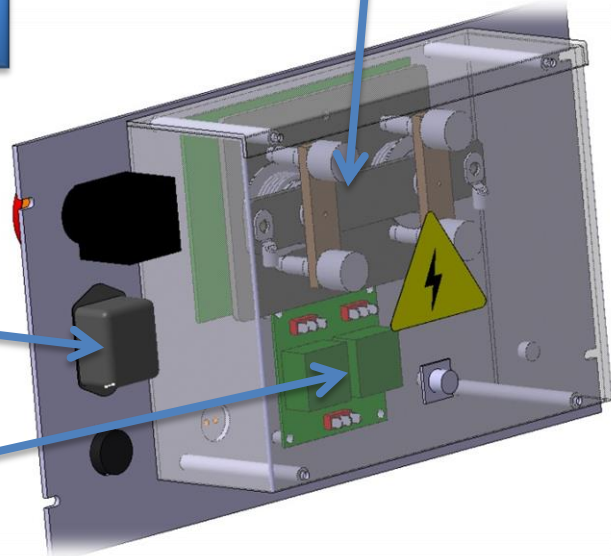
Mains circuit breaker

Thyristors assembly mounted on a fibber glass isolator

Burndy 7 poles male Mains input

Socapex female connector or terminals Weidmuller Output voltage

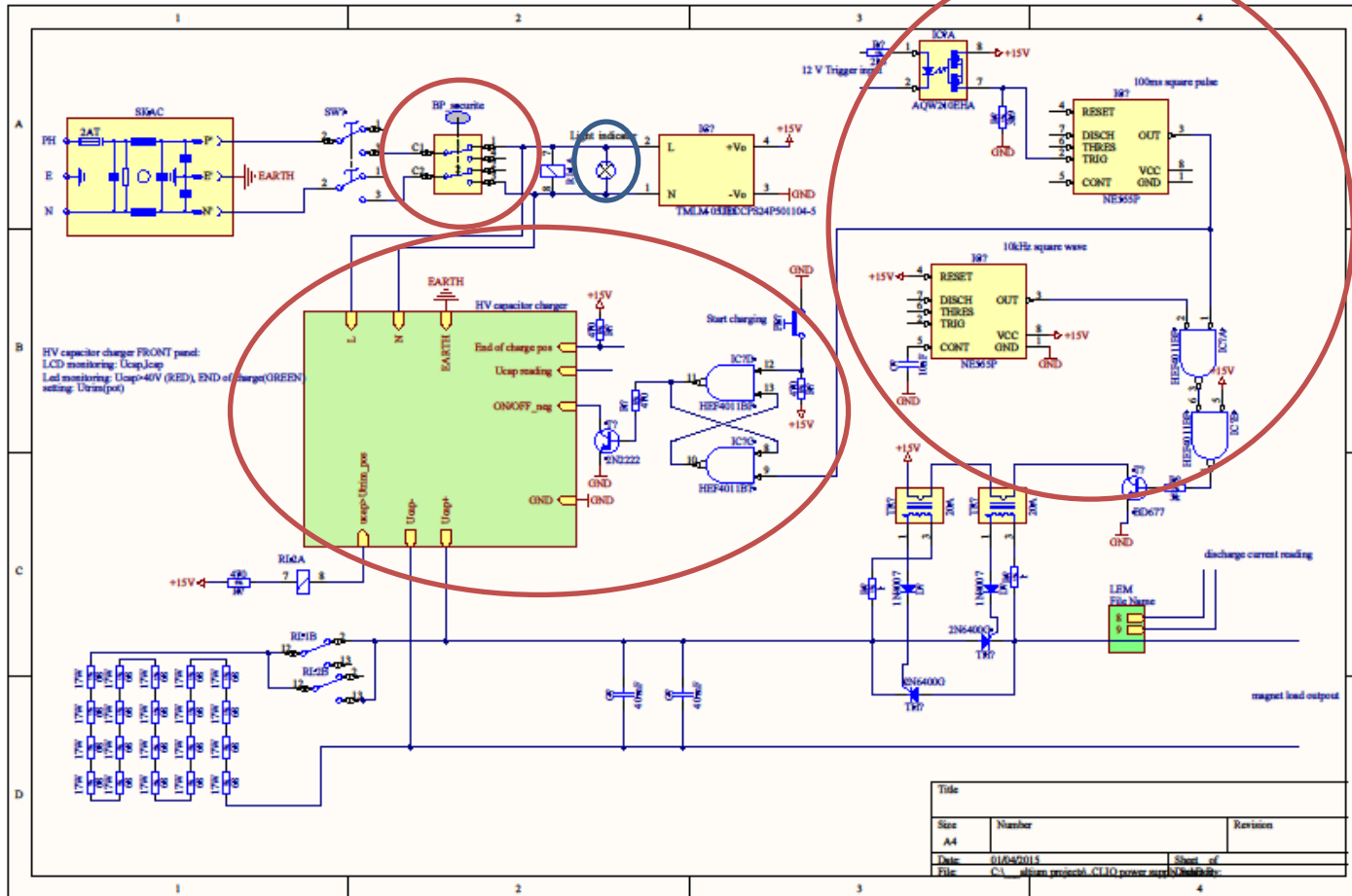
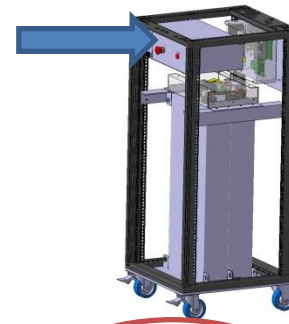
Burndy 4 male connector Tigger input



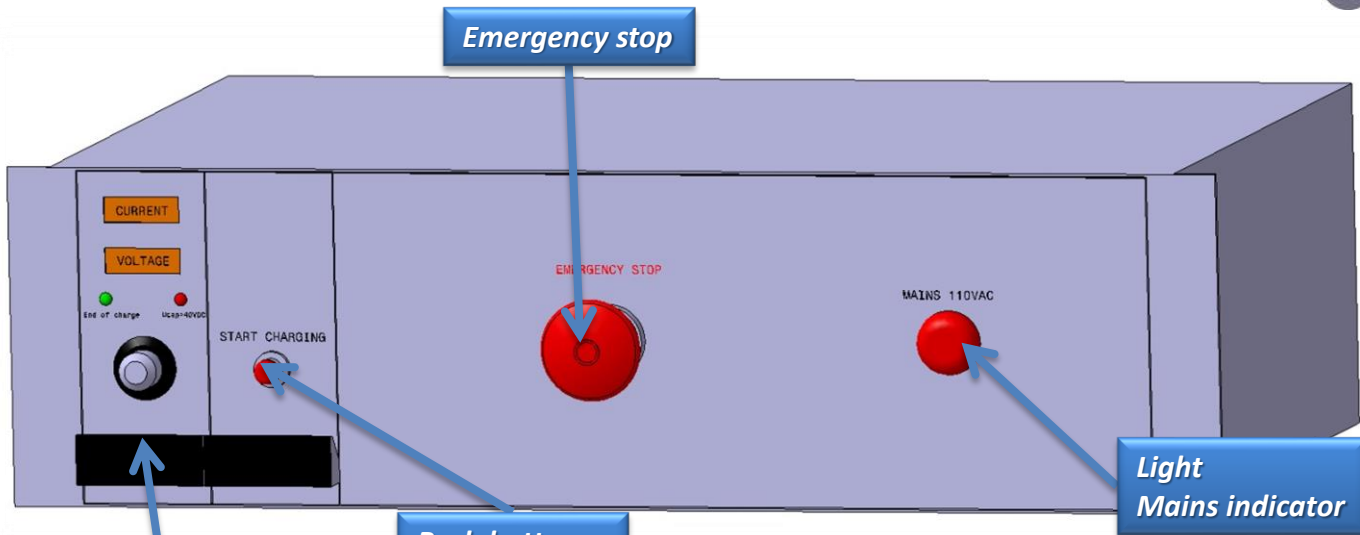
Filter schaffner 6A

PCB with pulse transformer

Crate control:



Title		
Size	Number	Revision
A4		
Date:	01/04/2015	Sheet of
File:	C:_alarm_project_CUO\power supply\270423.rtf	



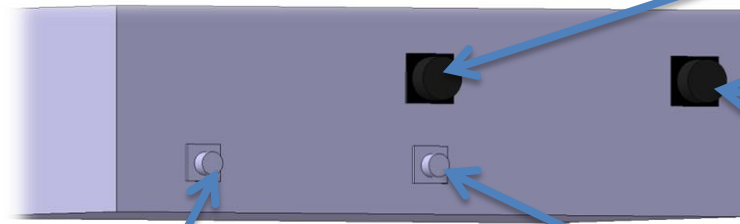
Emergency stop

Light Mains indicator

Push button Start charging

SDS Power supply with Green led "End of charge" Red led "Ucap > 40Vdc" LCD Current indicator LCD Voltage indicator Selector 0-500V

Burndy 7 poles female Power supply output and discharge relays command




Burndy 7 poles male Mains input

Burndy 4 female Output thyristor command

Burndy 4 male Trigger input

Safety aspect:

- The power supply is fully closed with special safety screws. 
- All panels are connected to the earth.
- Stickers with warnings are placed on front and back.



**POWER SUPPLY MUST BE SWITCHED
OFF BEFORE DISCONNECTING**

**AFTER SWITCHING OFF WAIT FOR AT LEAST
6 MINUTES TO COMPLETE INTERNAL
DISCHARGE**

-2 protection covers with HV warning stickers.

