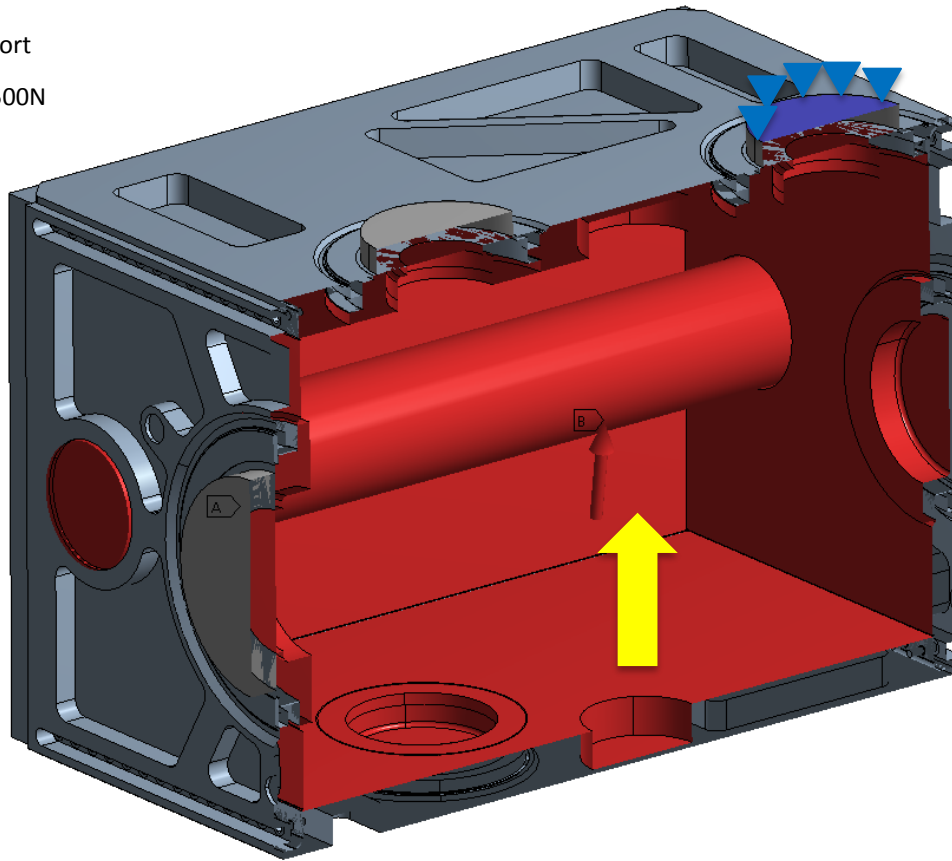


Dummy vessel

bolts calculation

- Pressure 0.18 MPa
- ↑ Acceleration 9806.6 mm/s²
- ▲ Fixed support
- ↔ Preload 4500N



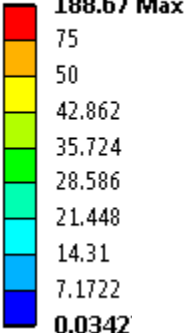
Welds not modeled



Max axial force [N]	Max shear force [N]	Max bending moment [Nmm]	Max equivalent stress [MPa]	SF
4760	725	3765	655	1.26

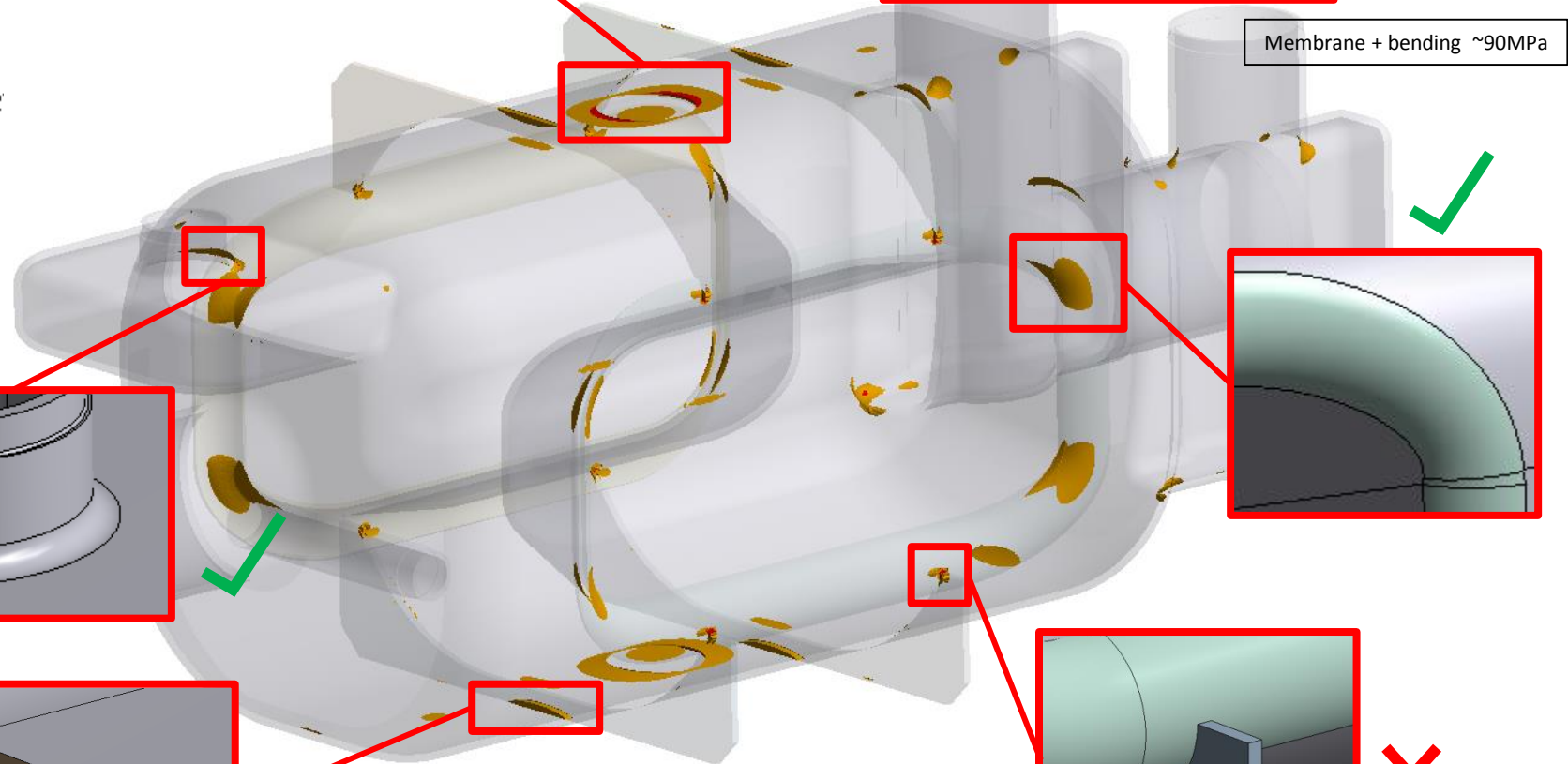
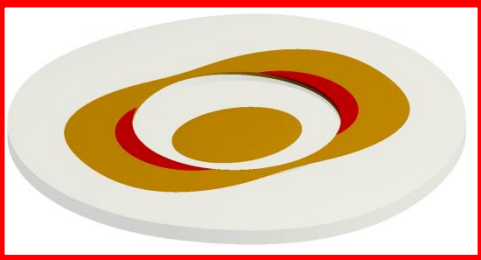
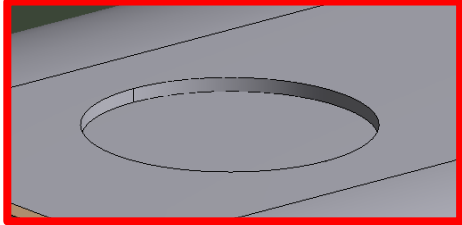
RFD cavity submodel

Type: Stress Intensity
Unit: MPa

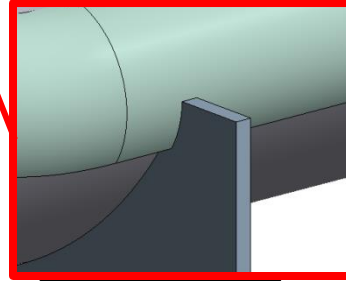
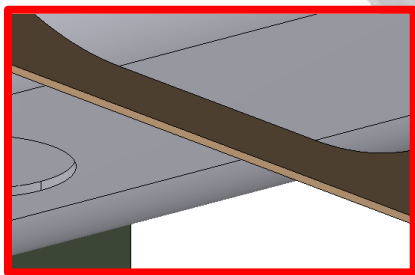
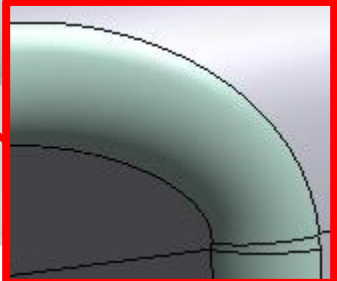
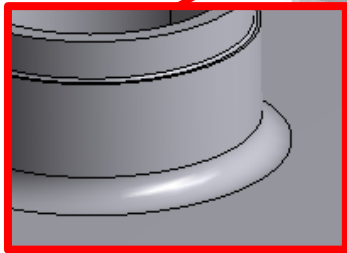


> 75 MPa
> 50 MPa

submodel



Membrane + bending ~90MPa



Peak stress 188 MPa