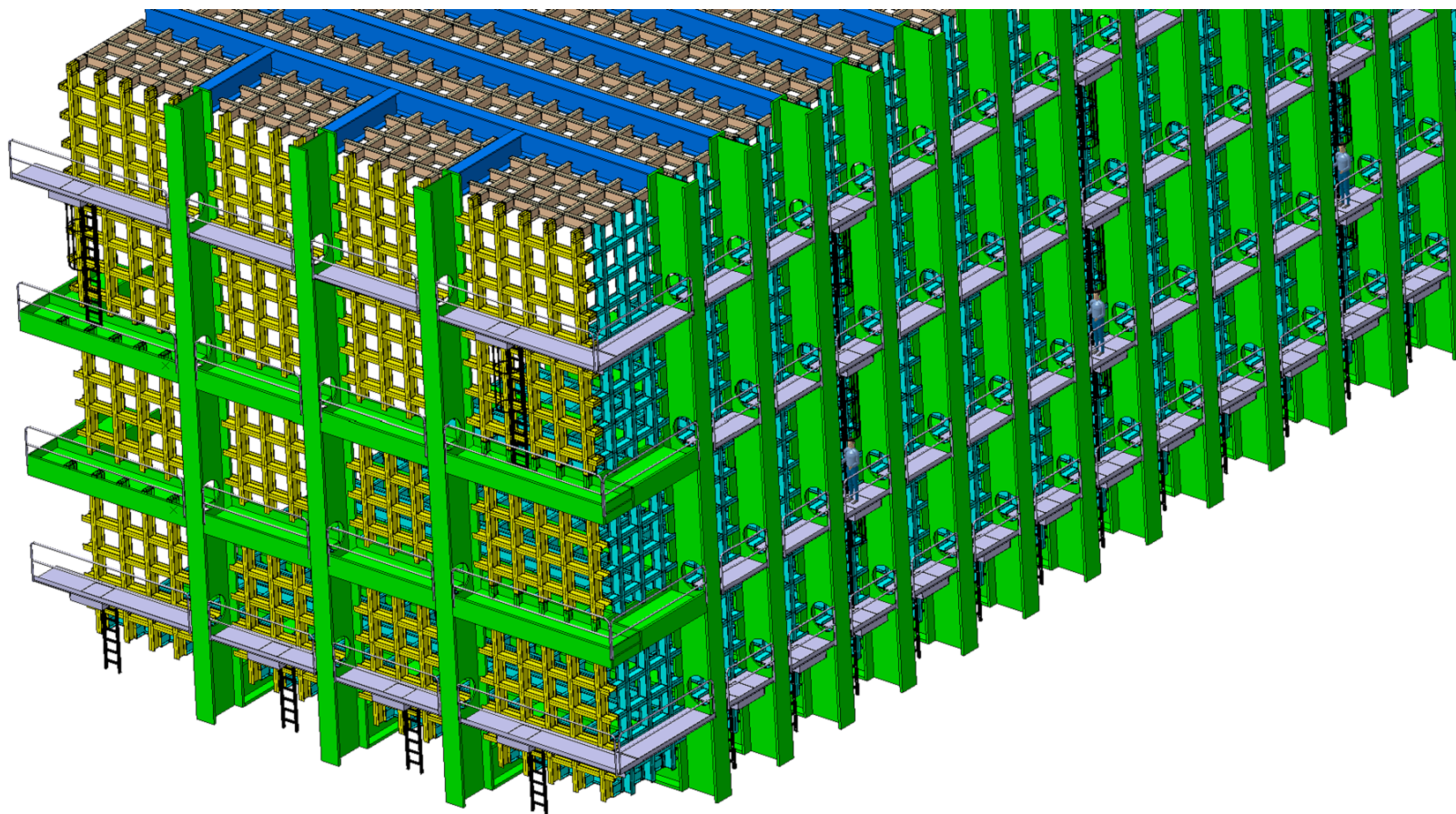


# Neutrino

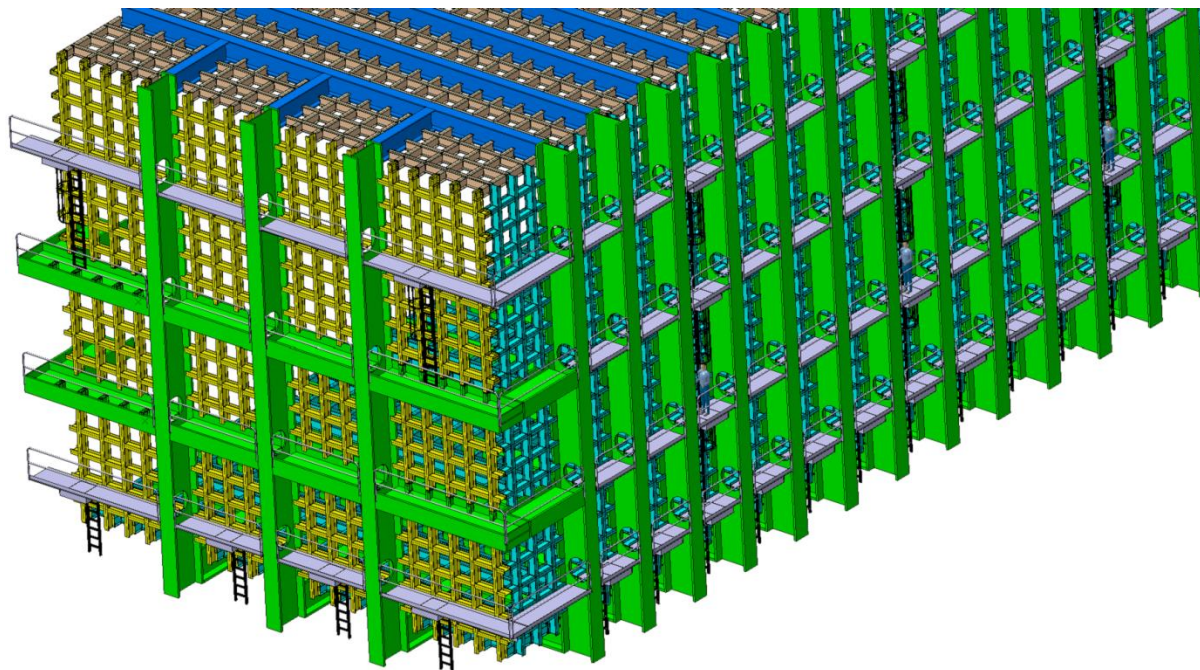
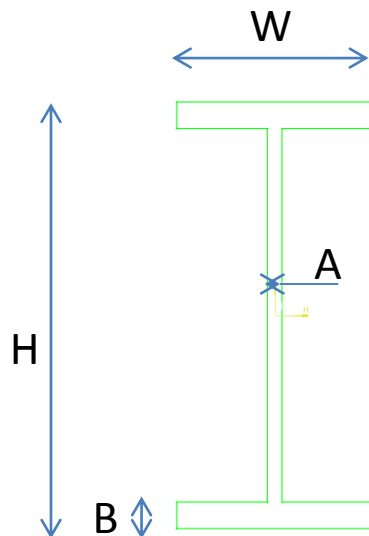
## *List of Bolted/welded connection*



# Neutrino

3 types of beam:

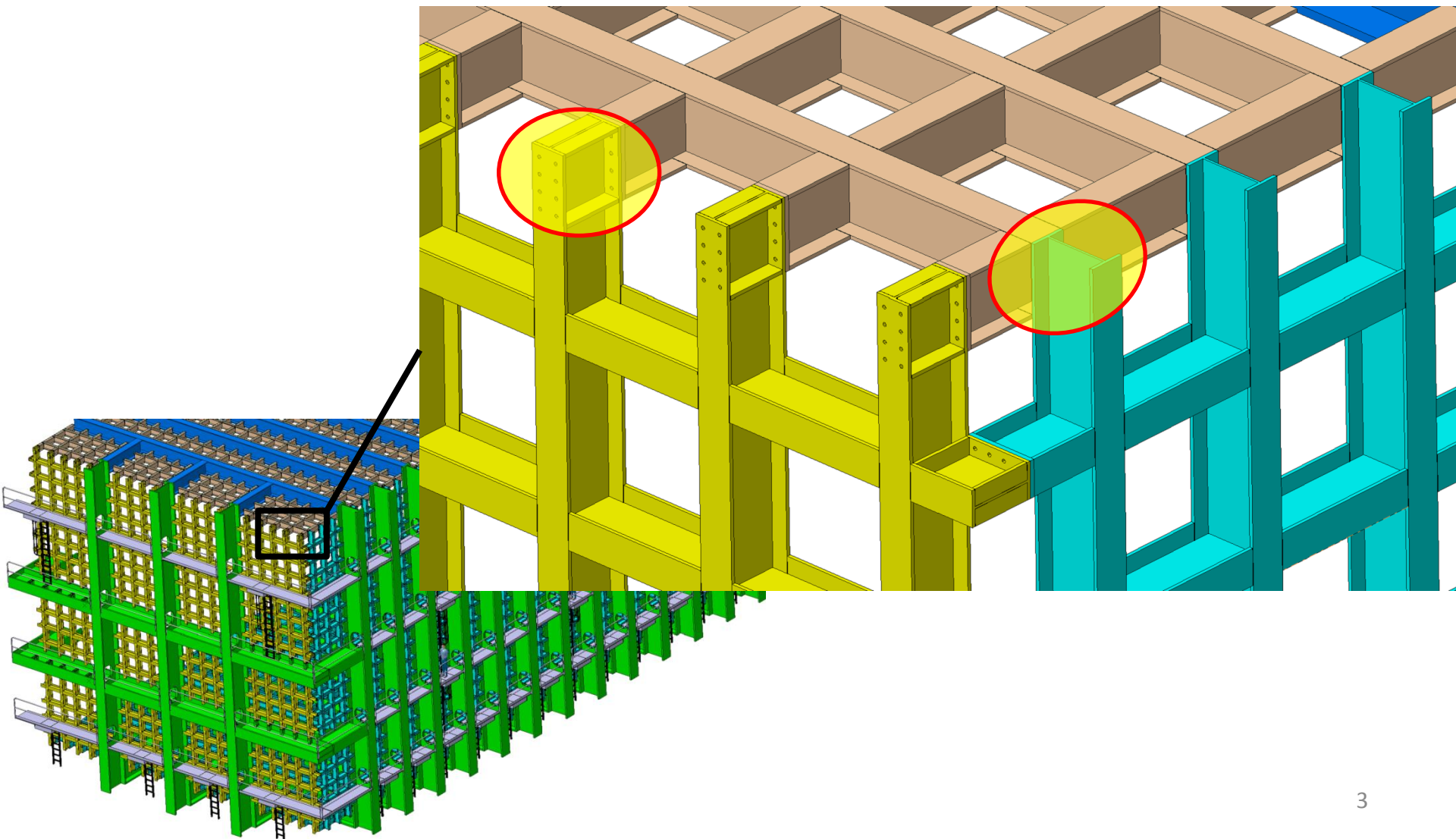
	H	W	A	B
Type 1	300	150	10	15
Type 2	700	350	20	35
Type 3	1200	550	40	75



# Neutrino

Bolted connections:

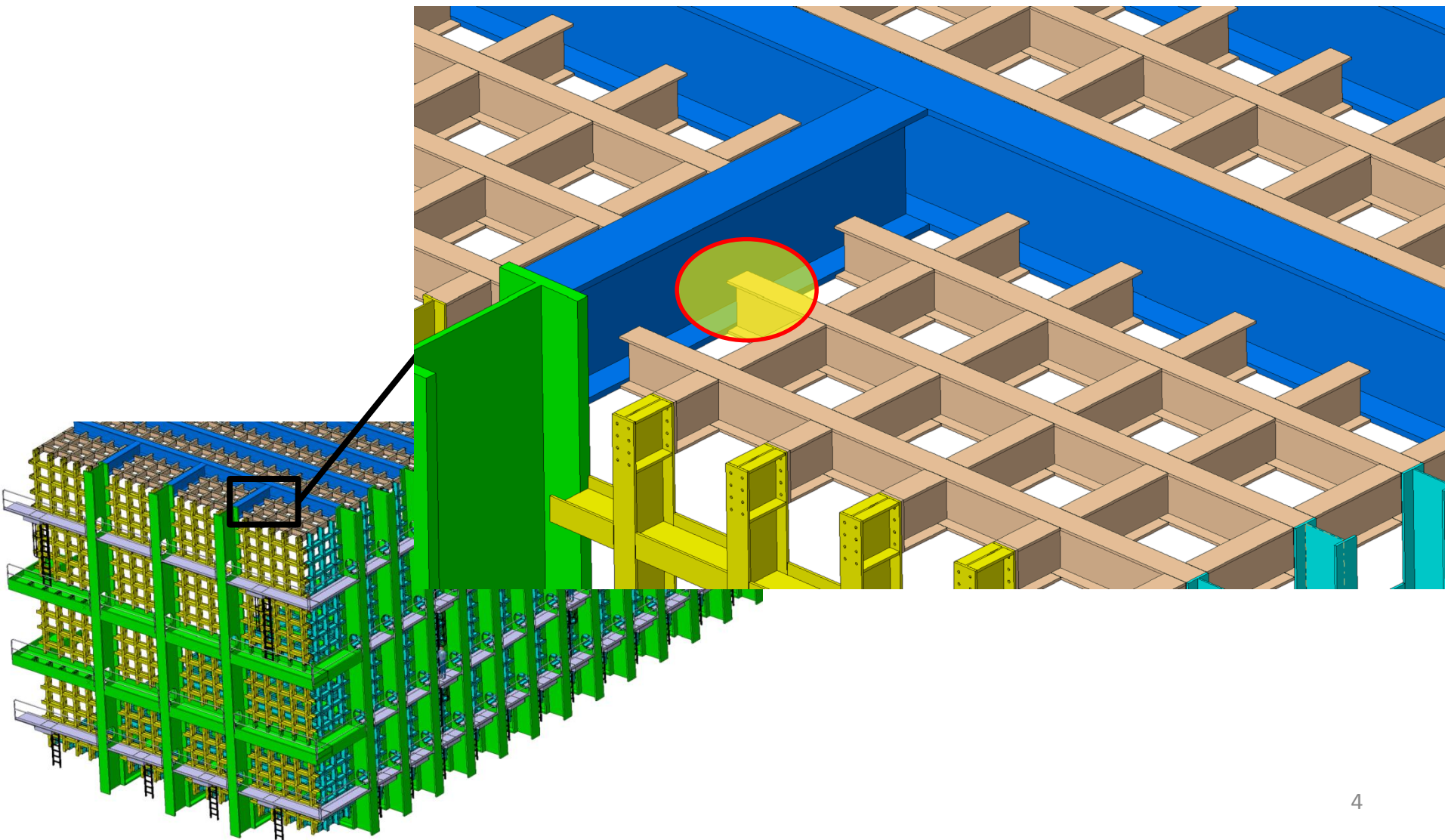
Type 1 beam with type 1 beam (draft solution shown)



# Neutrino

Bolted connections:

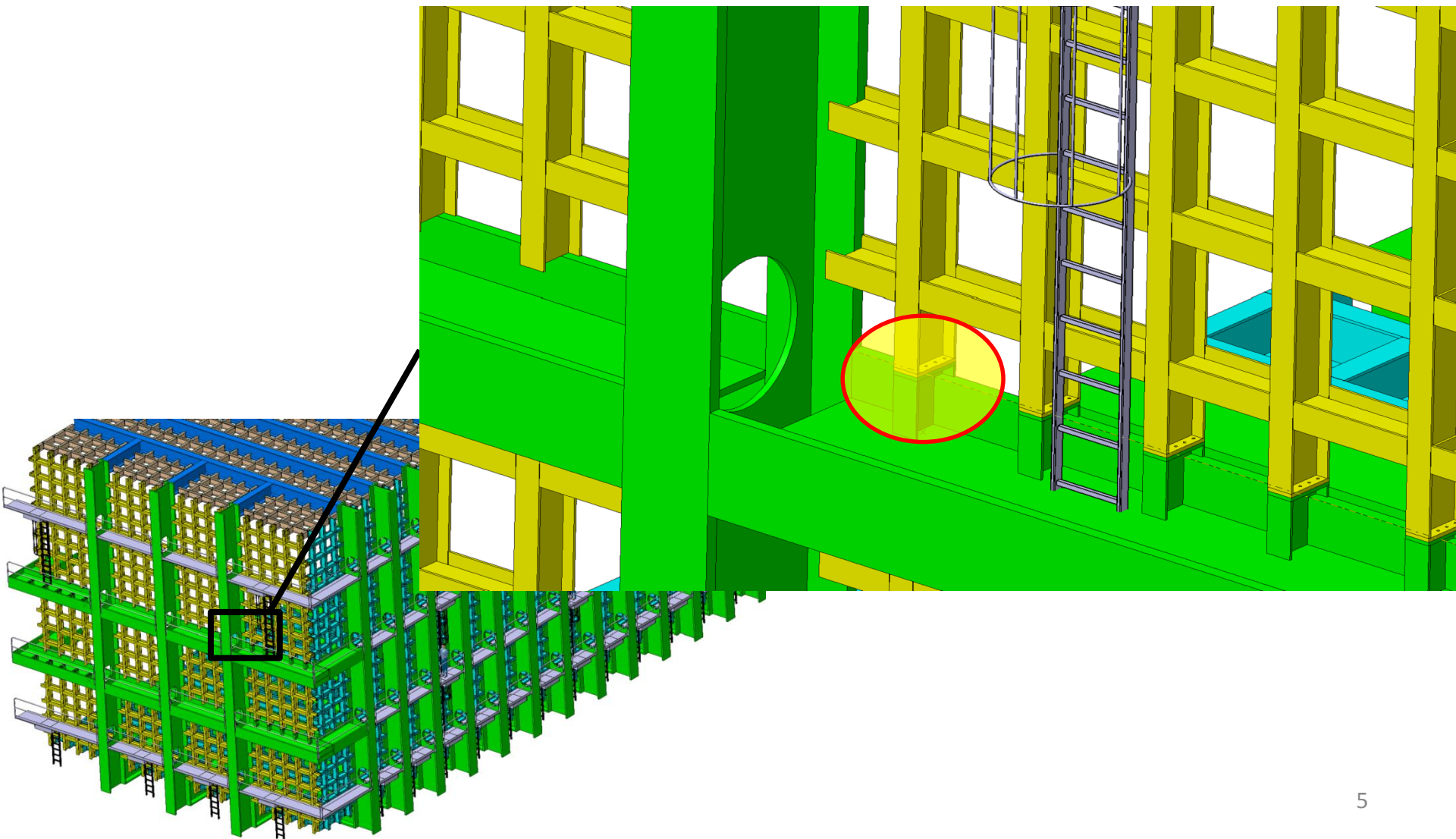
Type 1 beam with type 2 beam



# Neutrino

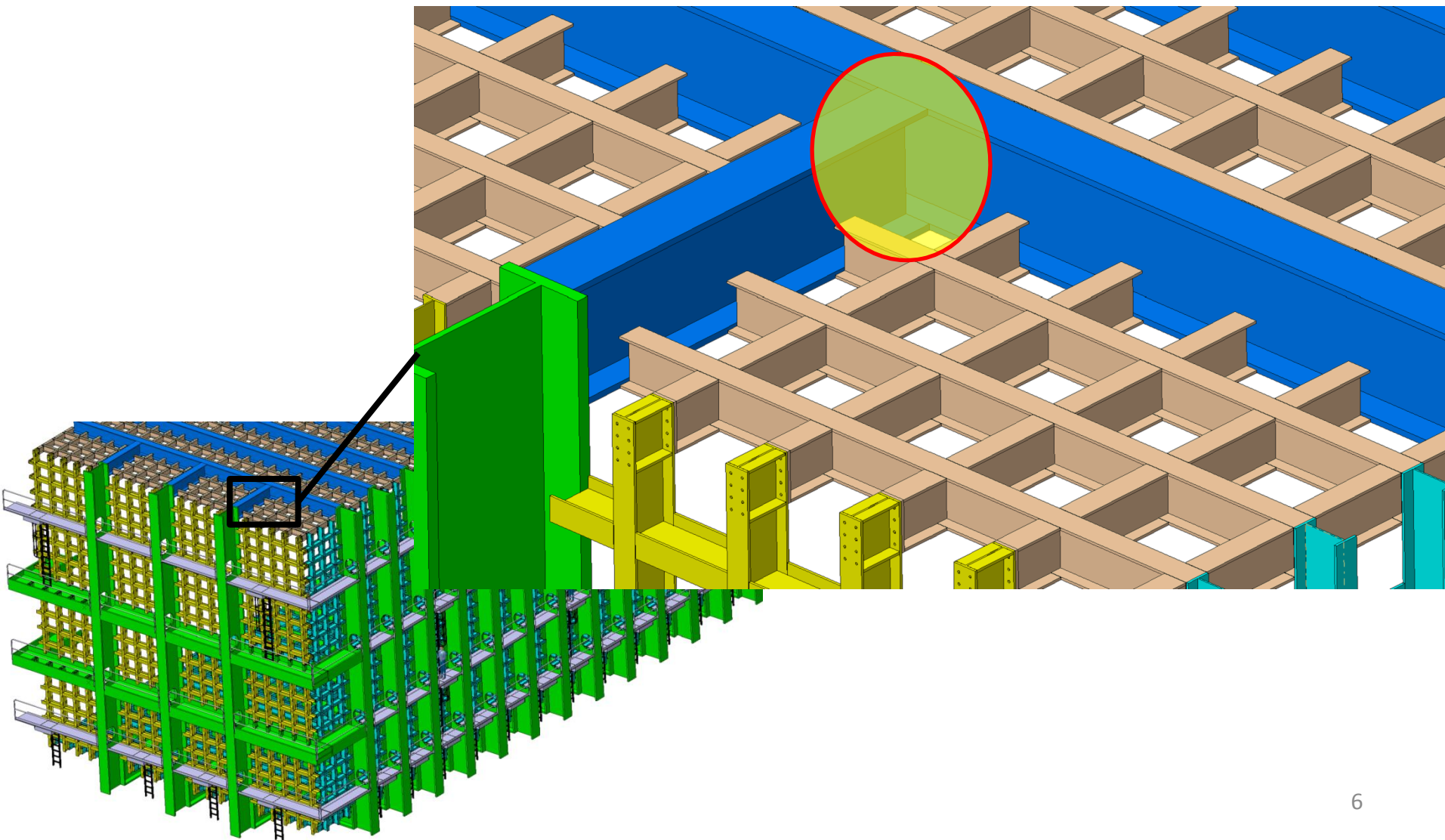
Bolted connections:

Type 1 beam with type 3 beam (draft solution shown)



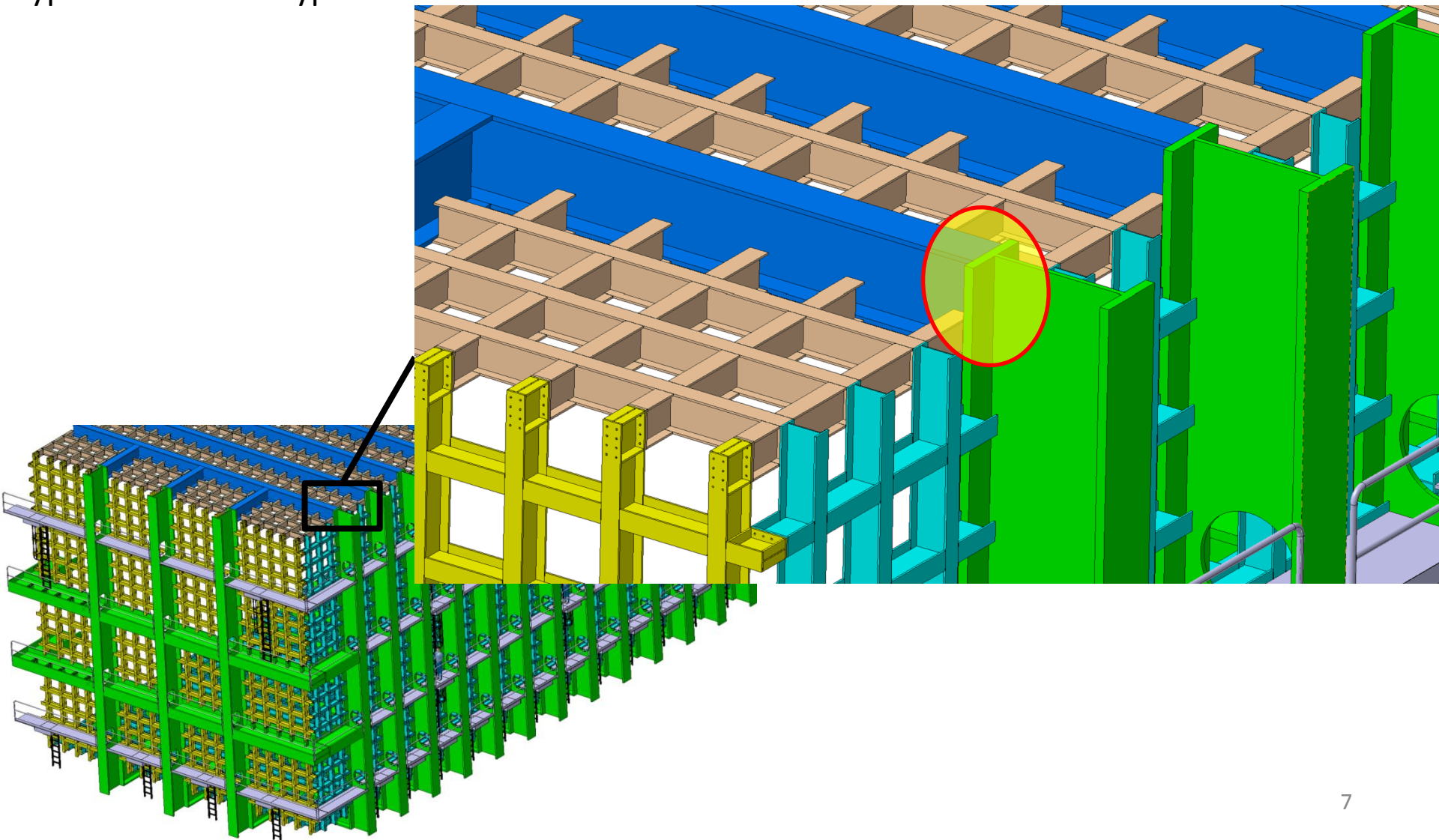
# Neutrino

Bolted connections:  
Type 2 beam with type 2 beam



# Neutrino

Bolted connections:  
Type 2 beam with type 3 beam



# Neutrino

Bolted connections:  
Type 3 beam with type 3 beam

