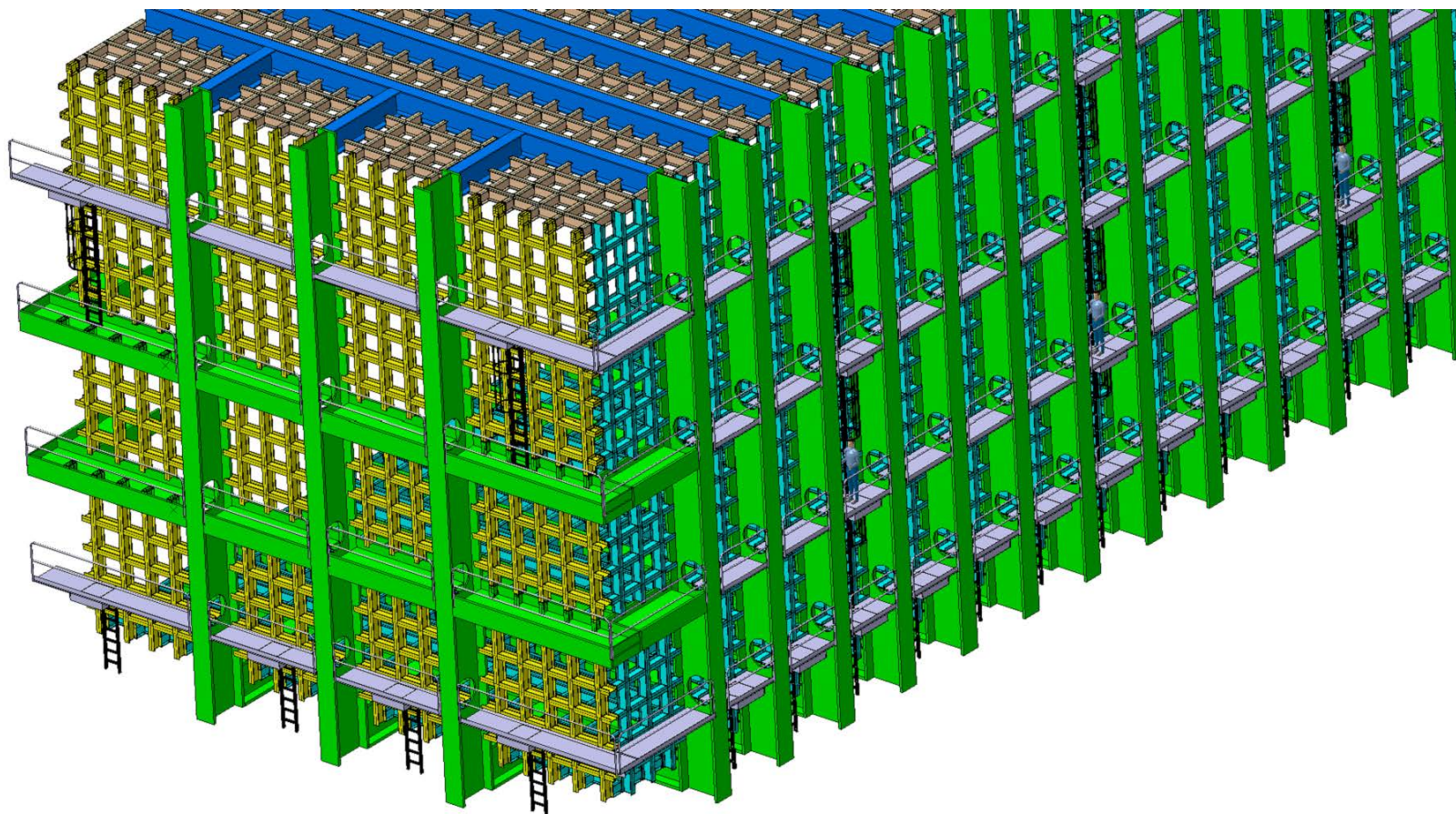


# Neutrino

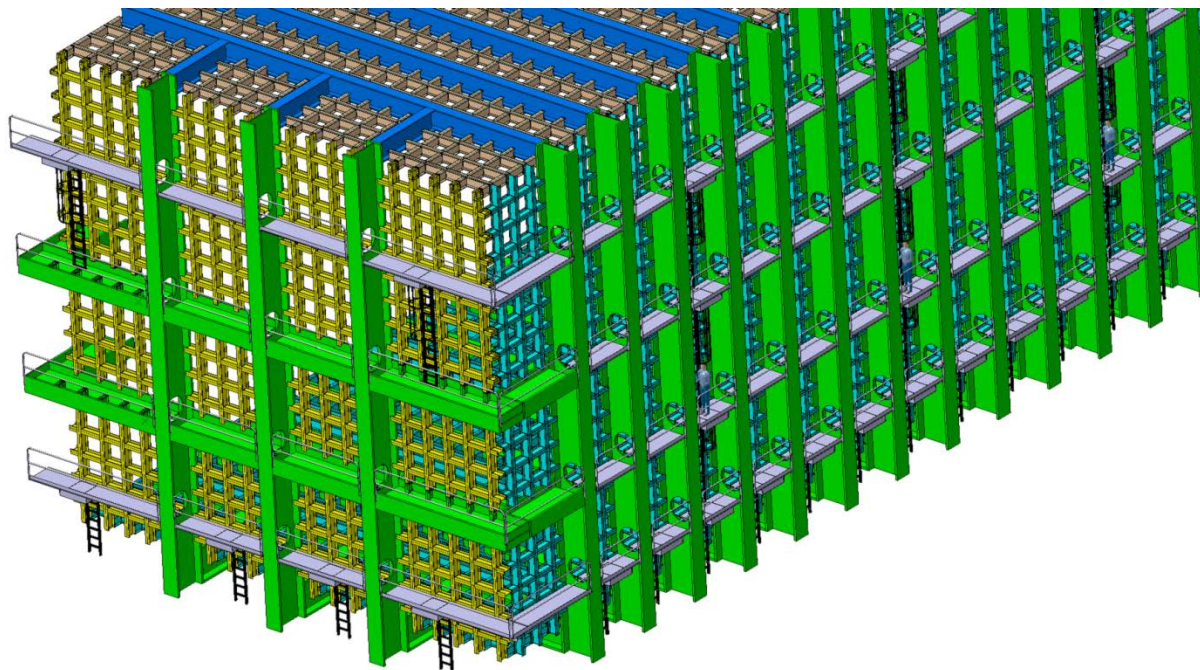
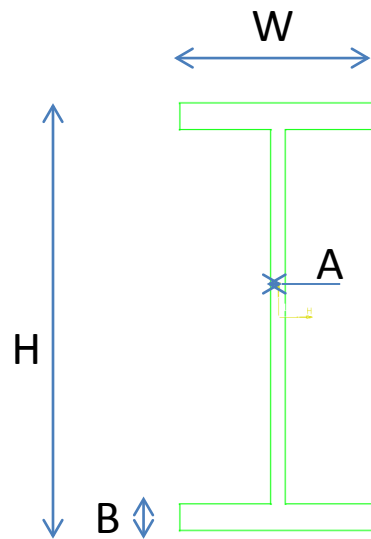
## *List of Bolted/welded connection*



# Neutrino

3 types of beam:

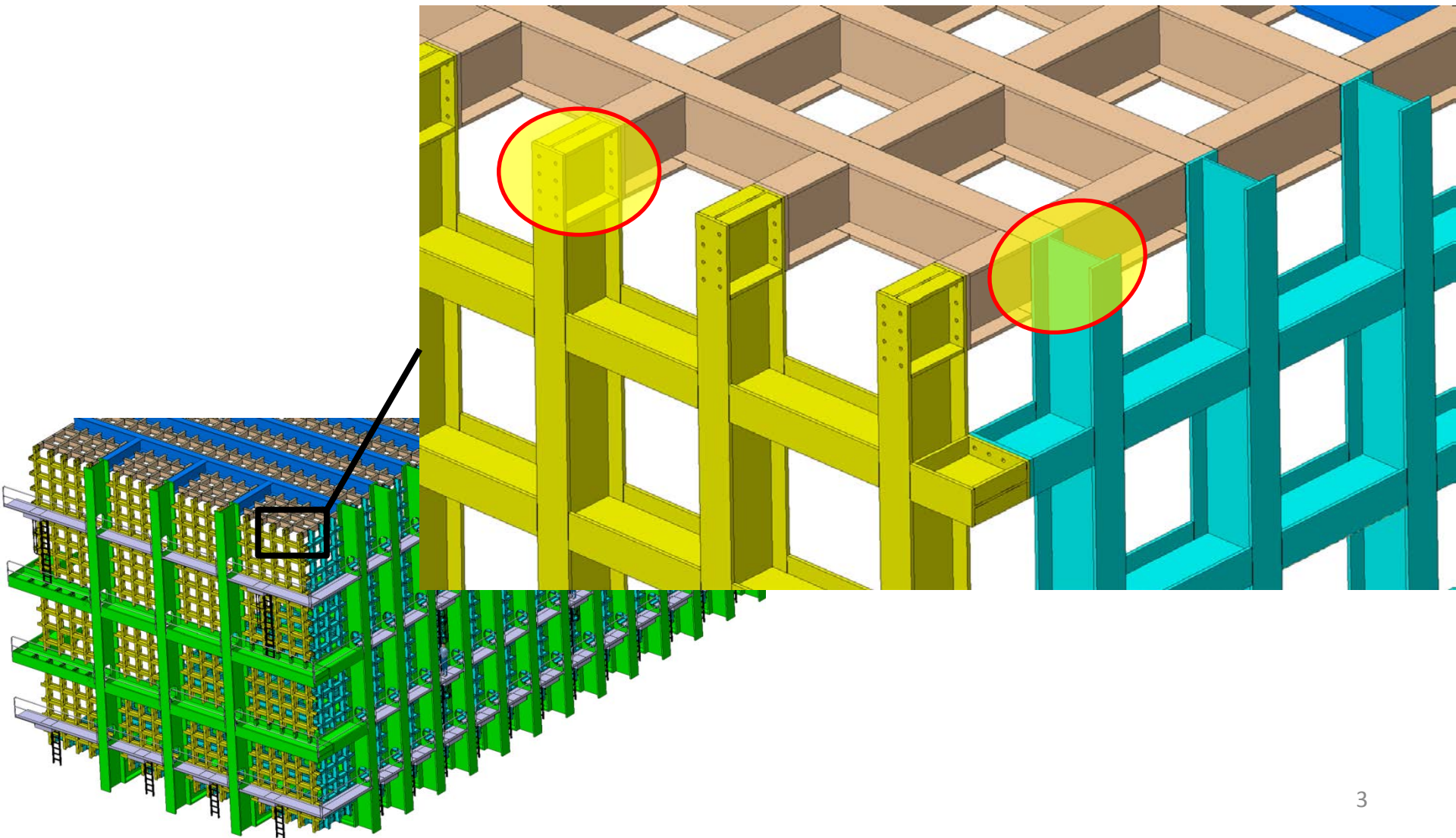
	H	W	A	B
Type 1	300	150	10	15
Type 2	700	350	20	35
Type 3	1200	550	40	75



# Neutrino

Bolted connections:

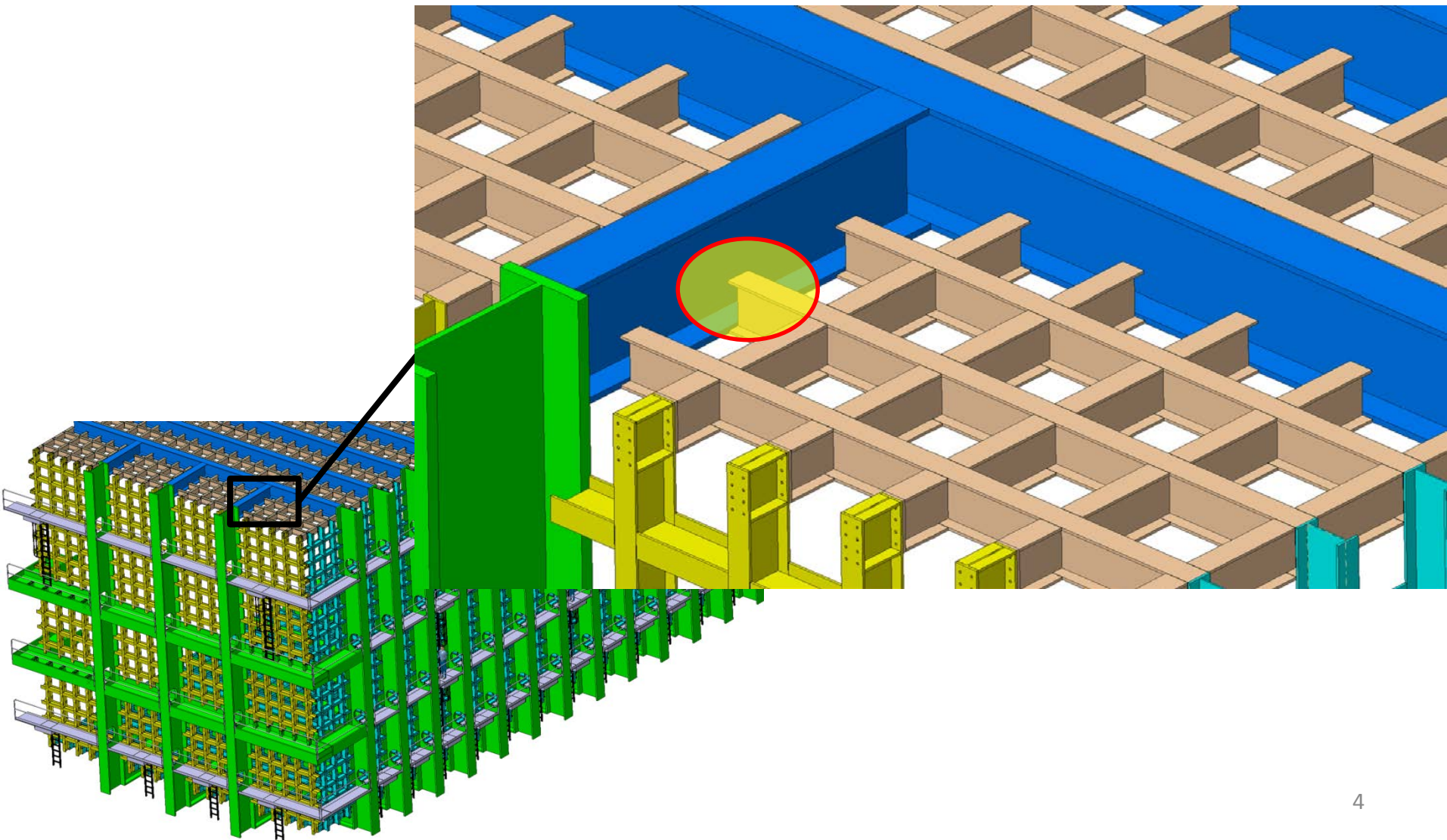
Type 1 beam with type 1 beam (draft solution shown)



# Neutrino

Bolted connections:

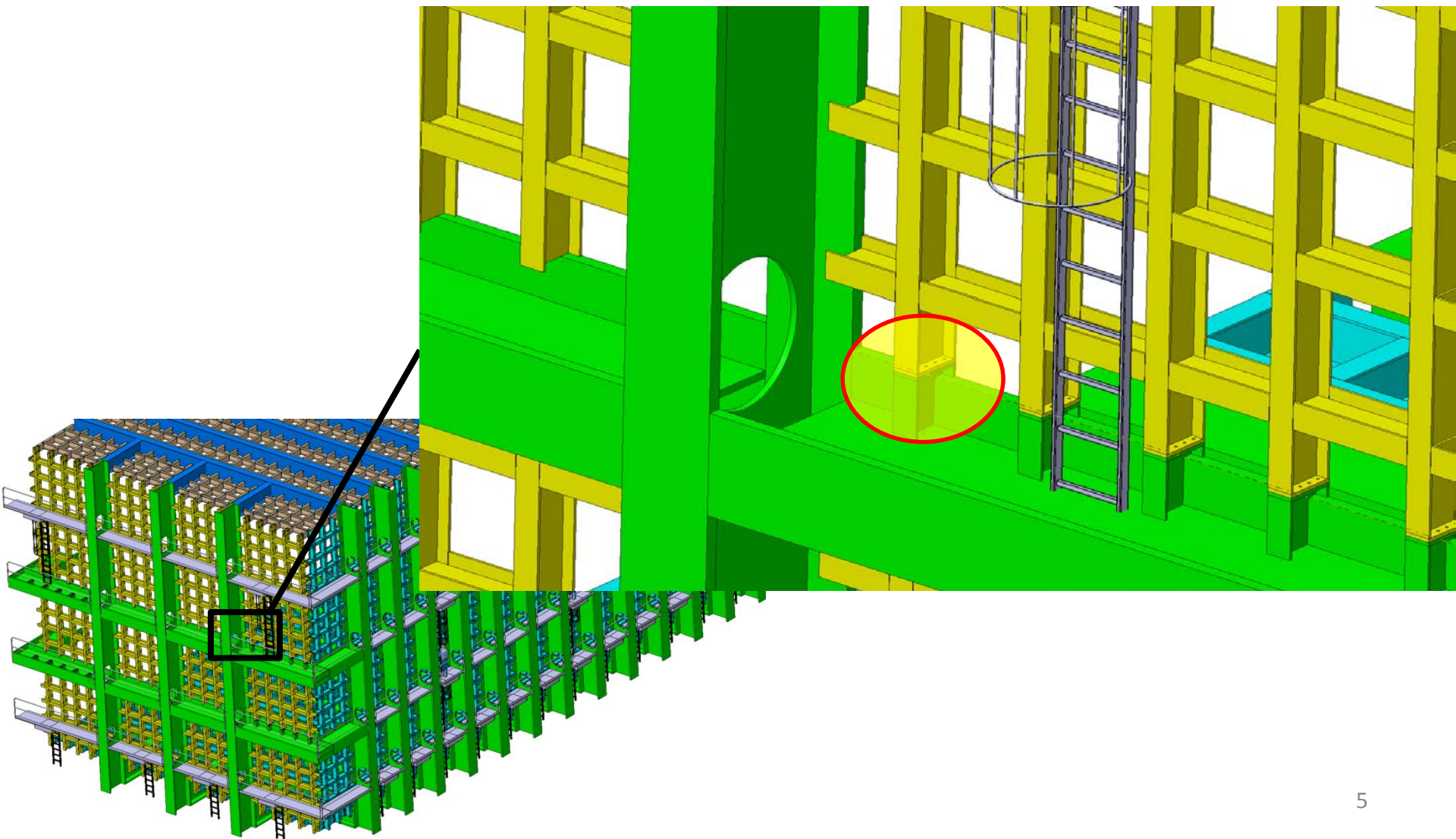
Type 1 beam with type 2 beam



# Neutrino

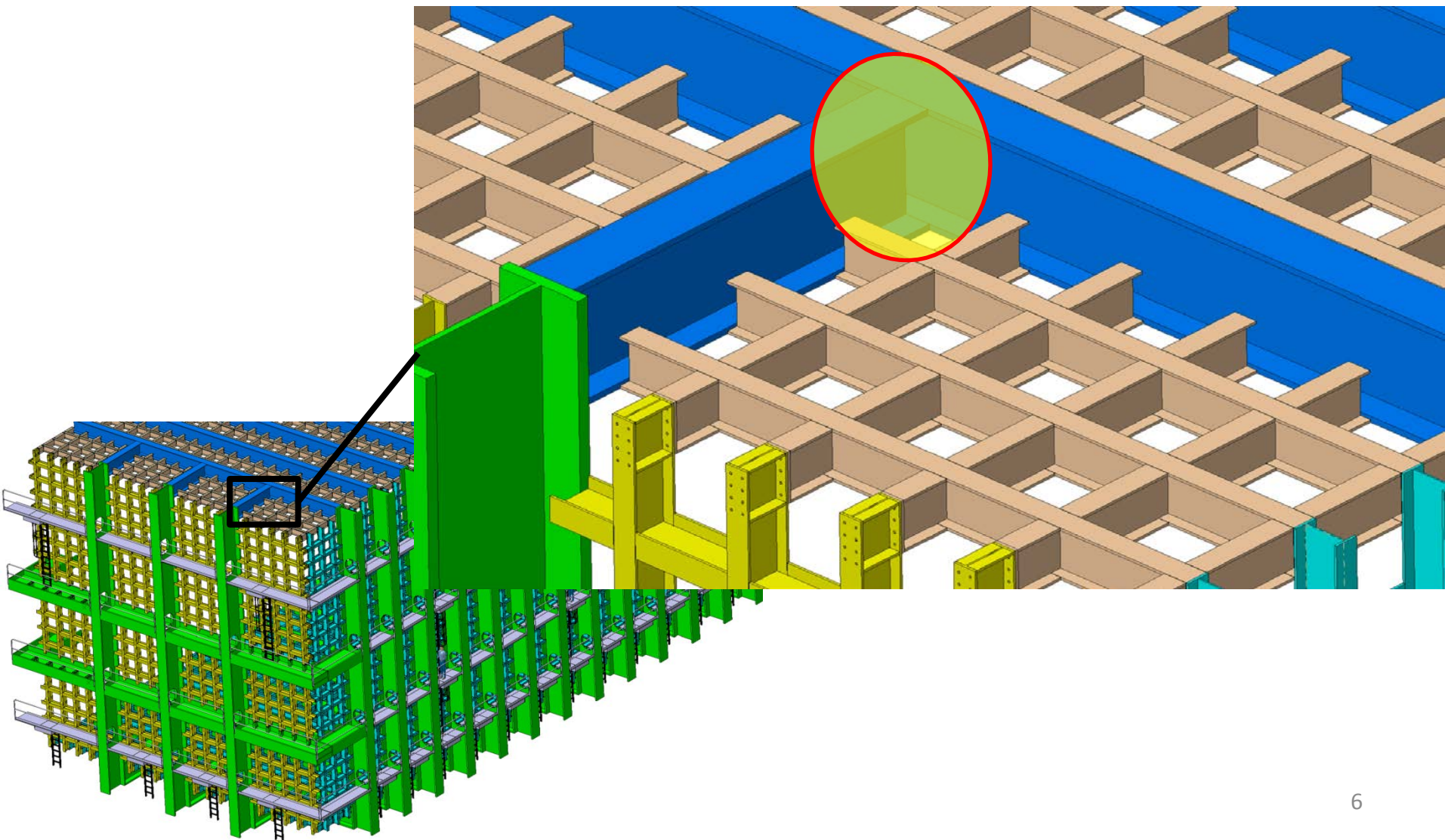
Bolted connections:

Type 1 beam with type 3 beam (draft solution shown)



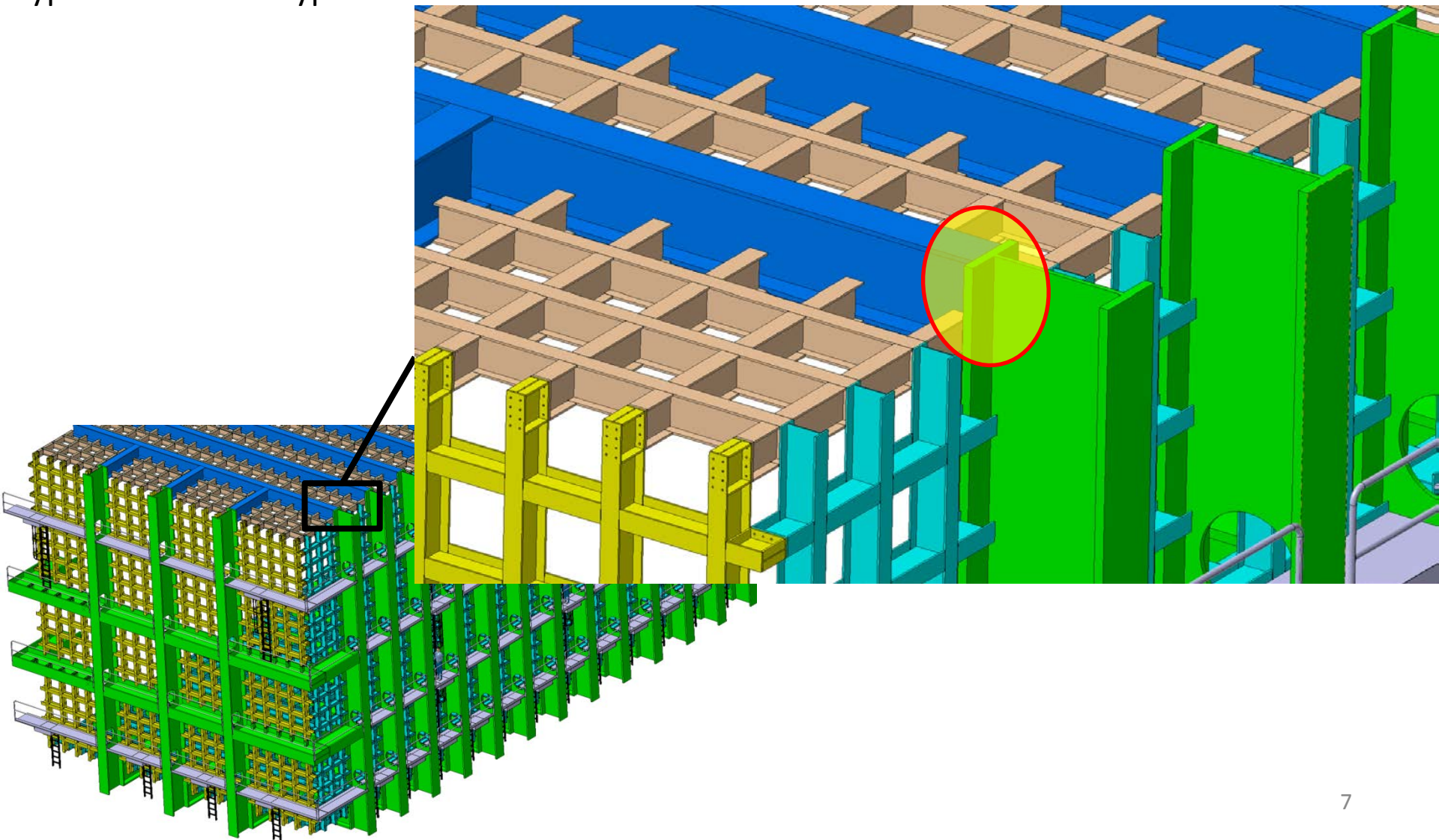
# Neutrino

Bolted connections:  
Type 2 beam with type 2 beam



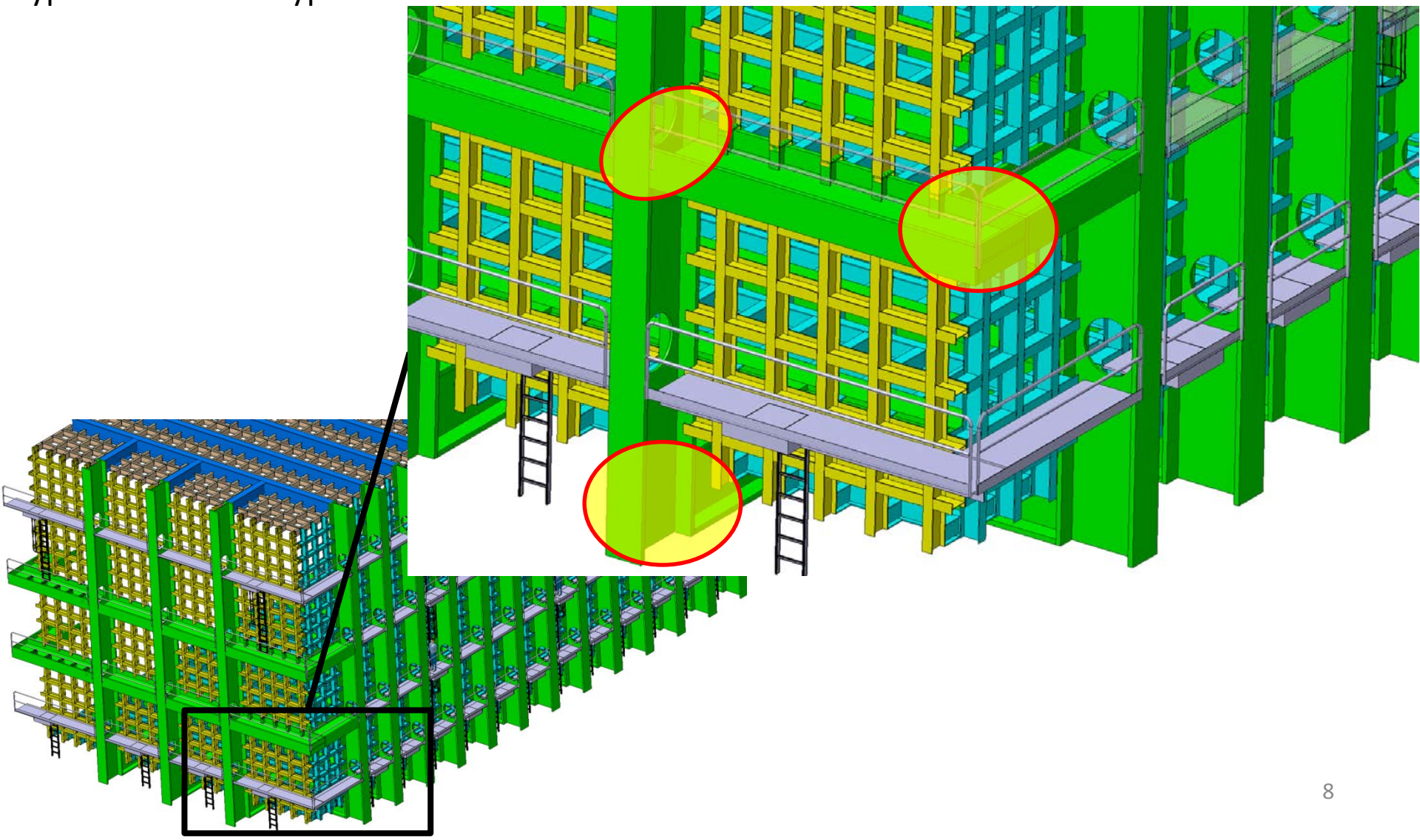
# Neutrino

Bolted connections:  
Type 2 beam with type 3 beam



# Neutrino

Bolted connections:  
Type 3 beam with type 3 beam

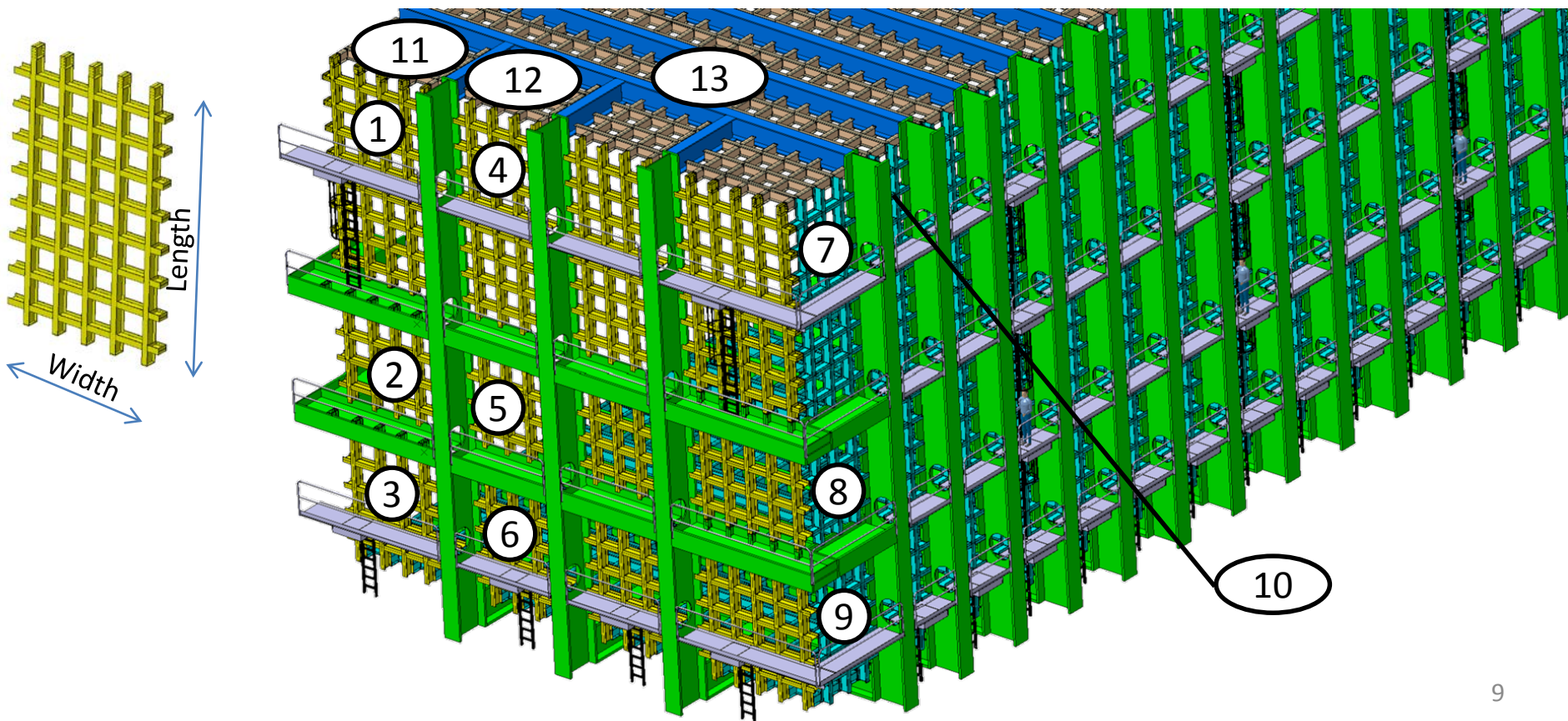




# Neutrino

Welded sub-assemblies:

	1	2	3	4	5	6	7	8	9	10	11	12	13
Length	6755	3450	4435	6755	3450	4435	6755	3450	4435	15820	3985	3650	16320
Width	4185	4185	4185	3450	3450	3450	2535	2535	2535	1850	2635	2635	2050
Mass(kg)	3700	1807	2300	2923	1470	1864	2167	1093	1382	3560	1334	1146	4040



# Neutrino

Welded connections:  
Type 1 beam with type 1 beam

