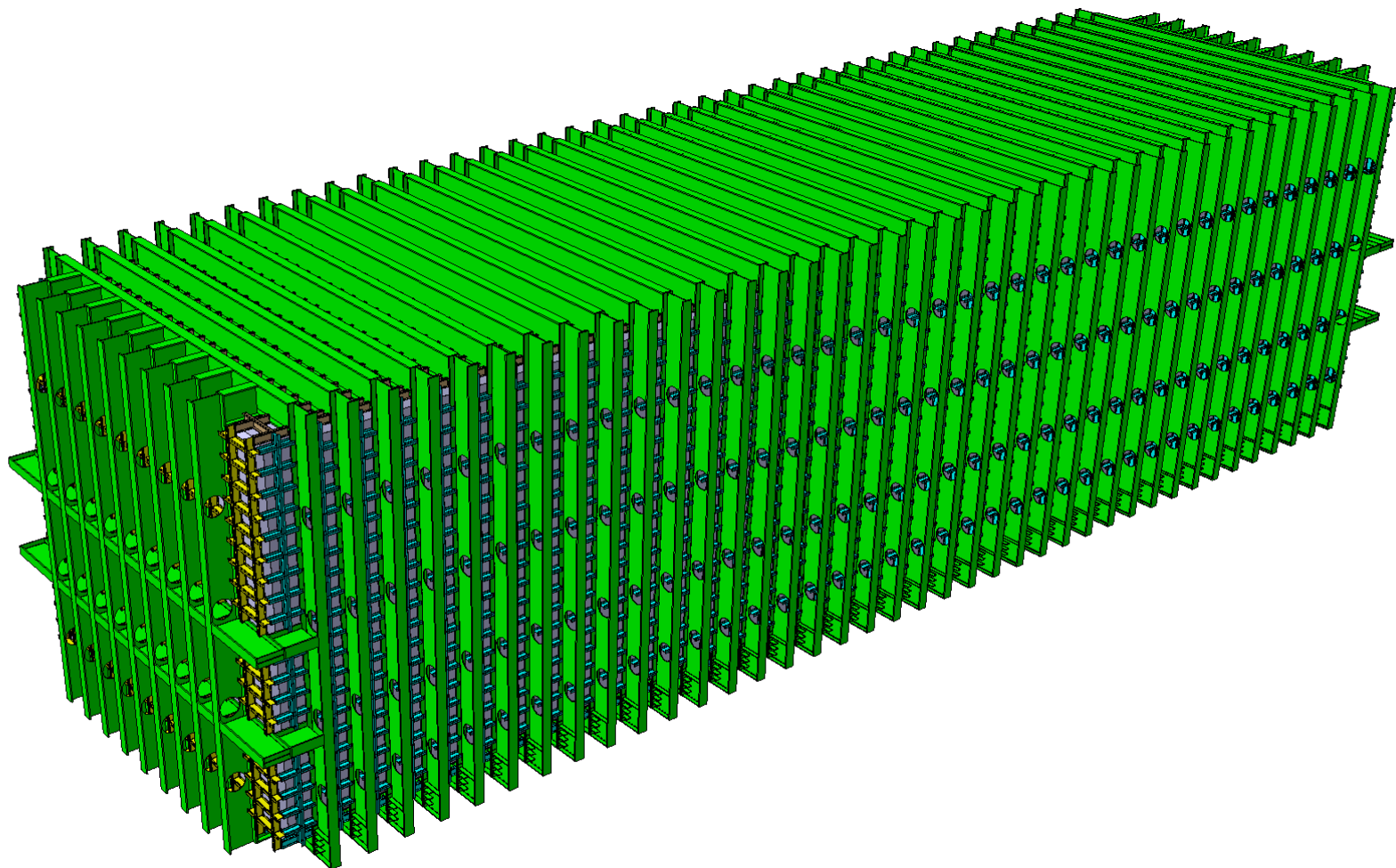


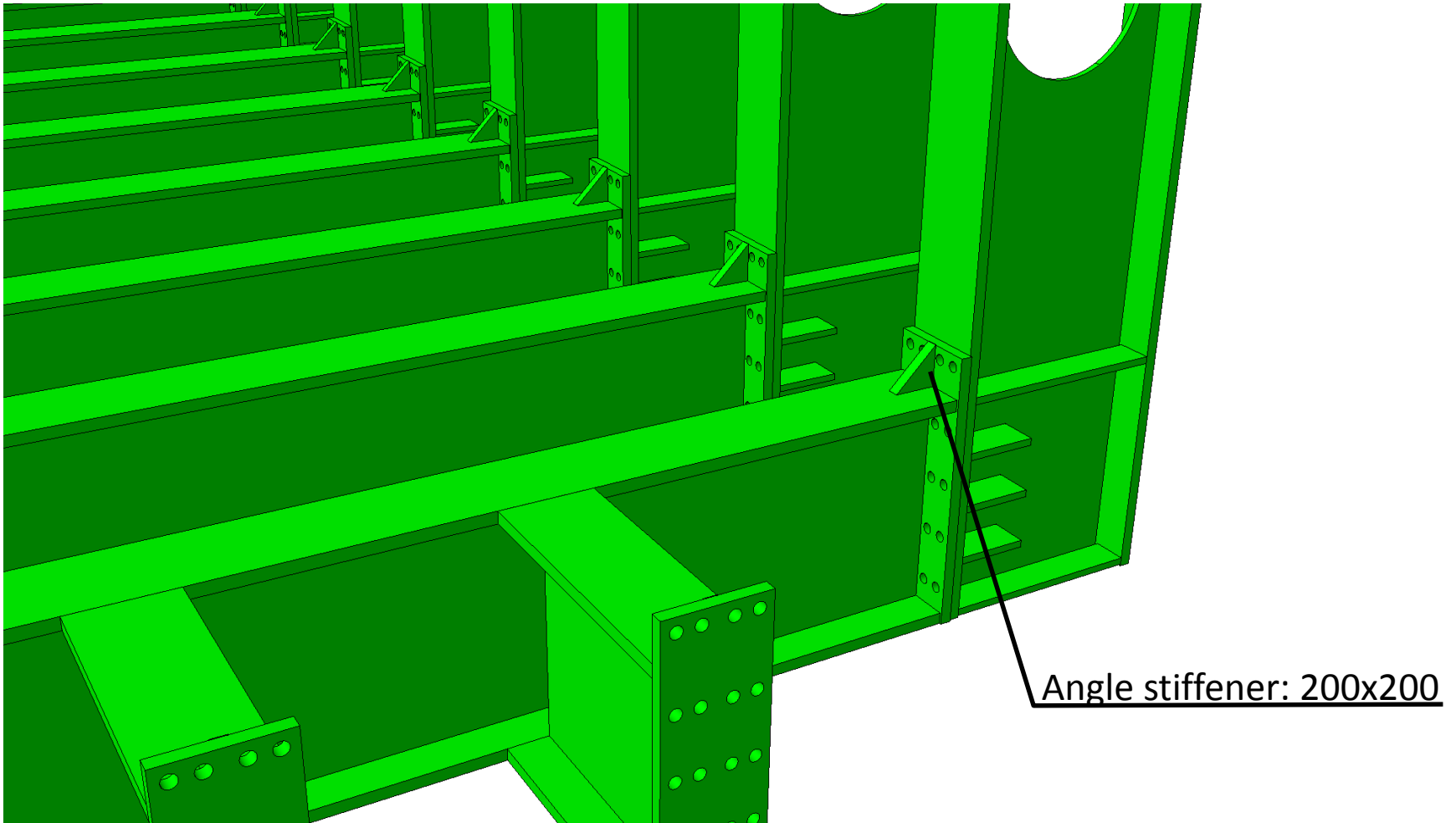
# Neutrino

Vertical/Floor big beams connection  
with an angle stiffener



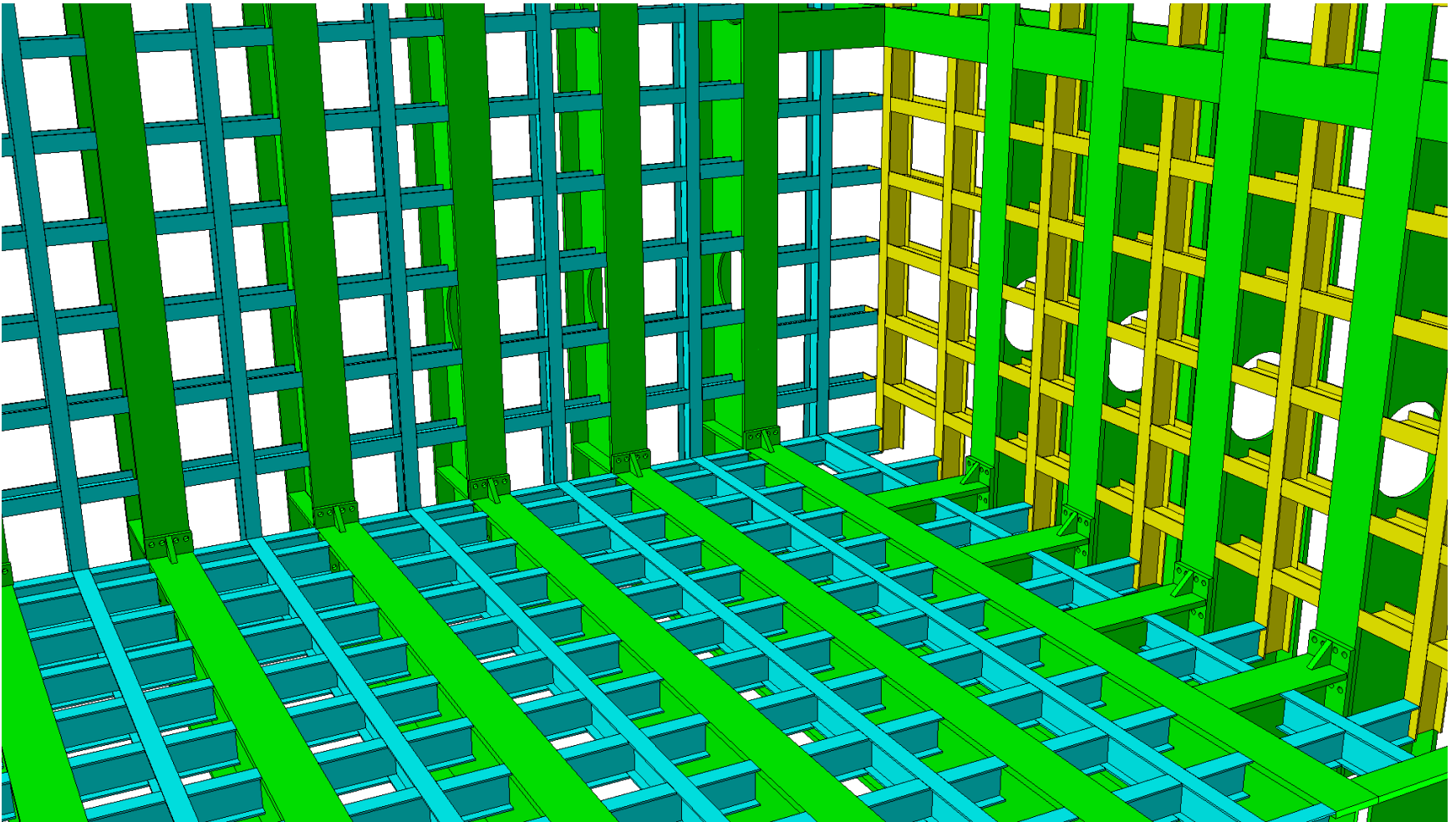
# Neutrino

Vertical/Floor big beams connection  
with an angle stiffener



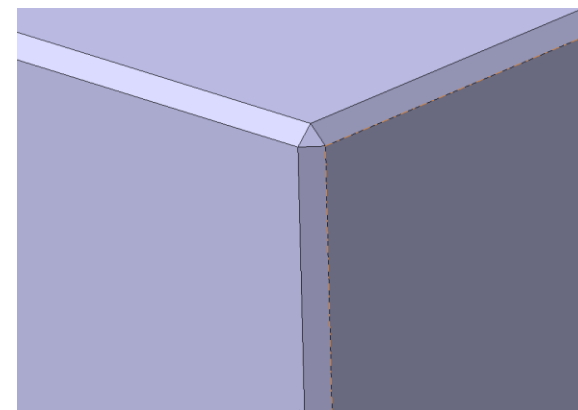
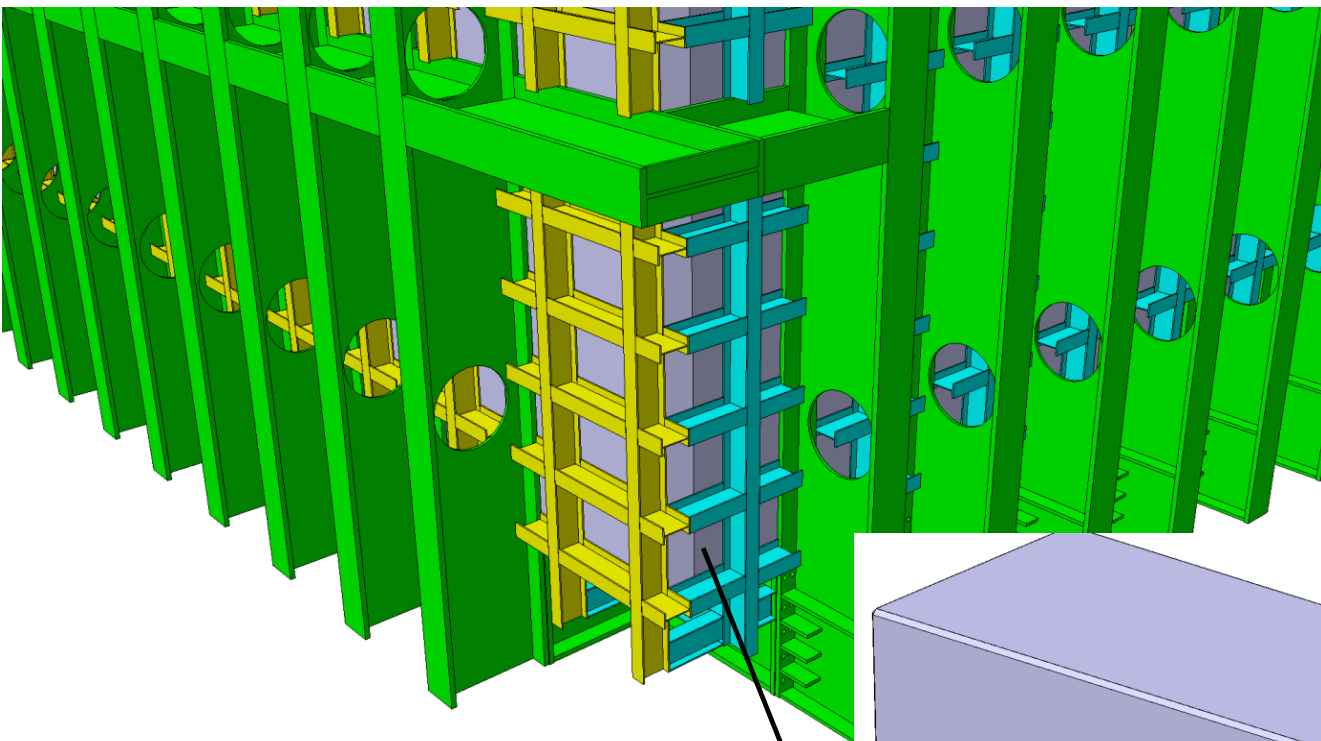
# Neutrino

Vertical/Floor big beams connection  
with an angle stiffener

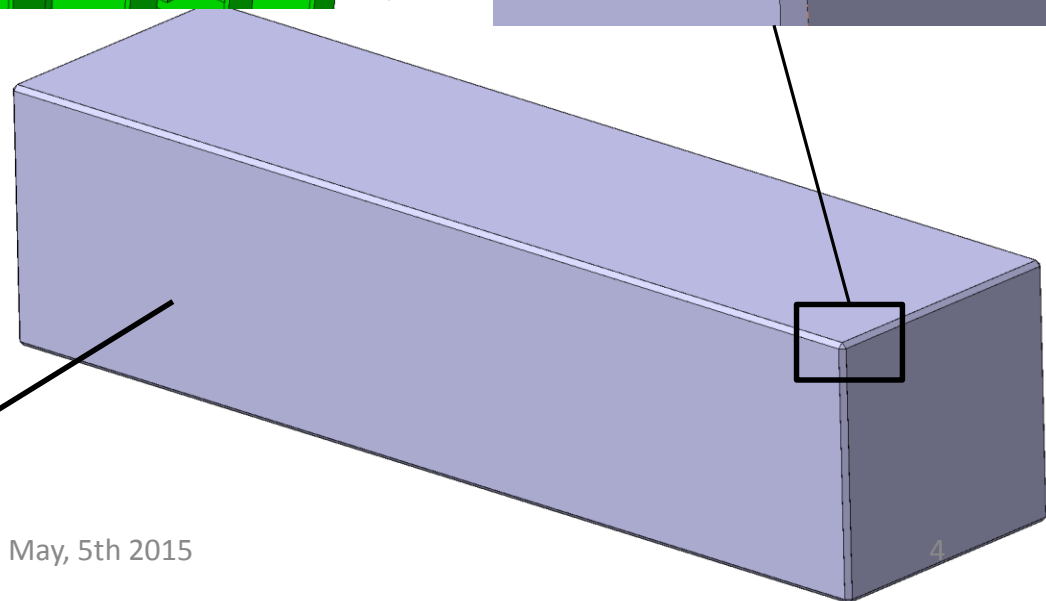


# Neutrino

Vertical/Floor big beams connection  
with an angle stiffener



Stainless steel sheets



# Neutrino

Vertical/Floor big beams connection  
with an angle stiffener

