

ALICE grid @ LIPI

Indonesian Institute of Sciences

Taufiq Wirahman

Daejeon, Sept 22-24, 2015

Table of Contents

1 LIPI Resources

2 Current Status

3 Future Plans

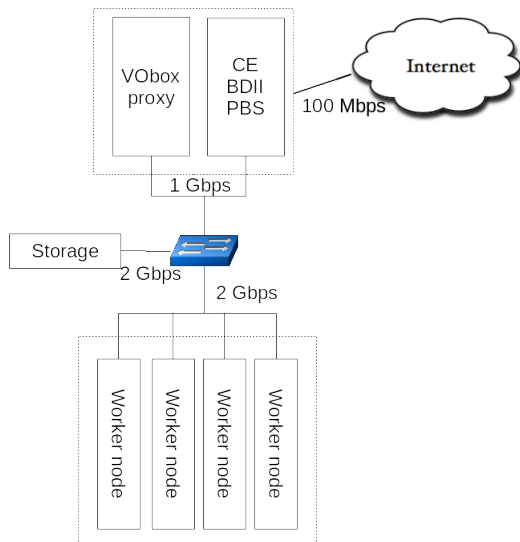


Indonesia @ MonALISA



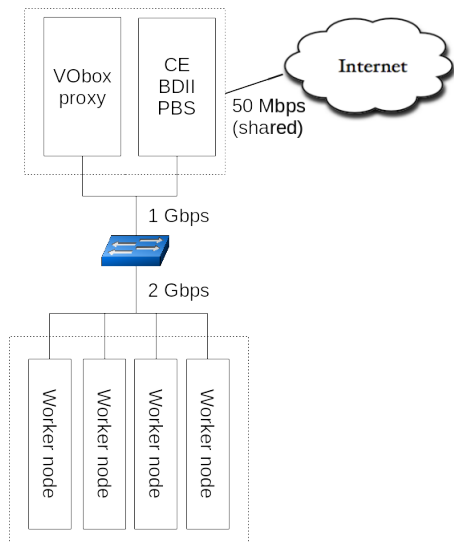
Resources - Cibinong

- 22 node, 8 core 16 GB RAM per node
- Intel Xeon E5-2609 2,4 GHz
- 2 Gbps local connection
- OS: SL 6.6 for master, CentOS 6.5 for worker
- 176 job slot
- 60 TB (usable) Storage (71 TB raw)

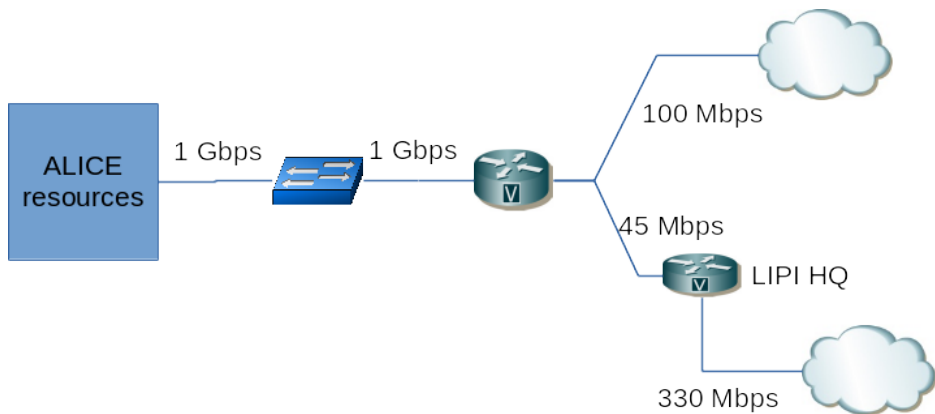


Resources - Bandung

- 4 node, 8 core 16 GB RAM per node
- Intel Xeon E5-2609 2,4 GHz
- 2 Gbps local connection
- OS: SL 6.6 for master, CentOS 6.5 for worker
- 32 job slot



Network



Current Status

Cibinong

Links: FDT, Kernel parameters tuning

<Cibinong>

Chart view »

IN from

No.	ID	Site	Speed (Mbps)	Hops	RTT (ms)	Streams
1.	2281429	ORNL	83.89	18	280.89	1
2.	2281459	GRIF_IRFU_ARC	75.50	14	223.13	1
3.	2281441	Birmingham	67.11	20	215.23	1
4.	2285348	GSI	67.11			1
5.	2285433	SUT	67.11	12	241.24	1
6.	2285398	CCIN2P3	50.33	24	360.59	1
7.	2285479	DCSC_KU	50.33	13	310.05	1
8.	2280000	IHEP	50.33	18	271.13	1
9.	2285350	PAKGRID	50.33	18	344.45	1
10.	2281551	RRC_KI_T1	50.33	18	265.65	1
11.	2285387	UIB	50.33	20	304.69	1
12.	2285403	CERN-TRITON	41.95	27	343.48	1
13.	2285483	FZK	41.95	18	348.25	1
14.	2285442	ICYB	41.95	15	266.28	1
15.	2285392	LBL	41.95	18	215.69	1
16.	2285424	Oxford	41.95			1
17.	2285601	RAL_ARC	41.95	20	195.58	1
18.	2285745	RRC-KI	41.95	17	270.11	1
19.	2285405	Cagliari	33.56	22	368.34	1
20.	2278684	Catania-VF	33.56	16	368.50	1
21.	2285481	CERN-AURORA	33.56	27	347.65	1

OUT to

No.	ID	Site	Speed (Mbps)	Hops	RTT (ms)	Streams
1.	2280238	Hiroshima	92.28			1
2.	2285475	UNAM	67.11	17	257.25	1
3.	2279473	UNAM_T1	58.72	17	266.01	1
4.	2285635	Birmingham	50.33			1
5.	2285478	FZK	50.33	16	249.43	1
6.	2281466	GRIF_IRFU	50.33	18	217.41	1
7.	2285735	IHEP	50.33	13	271.03	1
8.	2285451	ISS	50.33	15	492.96	1
9.	2281544	JINR	50.33	15	272	1
10.	2285443	SNIC	50.33	21	312.07	1
11.	2285390	Trieste	50.33	16	365.44	1
12.	2285506	Bandung	41.95	6	10.16	1
13.	2285386	Cagliari	41.95	14	368.64	1
14.	2285669	Catania	41.95	16	376.94	1
15.	2285347	Catania-VF	41.95	18	379.28	1
16.	2285480	DCSC_KU	41.95			1
17.	2285477	GRIF_IRFU_ARC	41.95	21	291.19	1
18.	2285840	GSI	41.95			1
19.	2200519	GSI_2	41.95			1
20.	2285396	IPNL	41.95	20	360.47	1
21.	2285389	ITEP	41.95	13	249.68	1



Current Status

Bandung

<Bandung>

Links: FDT, Kernel parameters tuning

Chart view »

IN from

No.	ID	Site	Speed (Mbps)	Hops	RTT (ms)	Streams
1.	2285704	Bratislava	41.95	21	243.92	1
2.	2285506	Cibinong	41.95	6	10.16	1
3.	2281192	ITEP	33.56	20	322.55	1
4.	2285805	JINR	33.56	21	280.65	1
5.	2282098	GRIF_IPNO	33.49	17	306	1
6.	2285580	CERN-ZENITH	25.17	28	403.43	1
7.	2283715	CSC	25.17	18	319.19	1
8.	2283162	GRIF_IRFU	25.17	15	282.74	1
9.	2284547	LUNARC	25.17	22	314.98	1
10.	2282941	Oxford	25.17	23	214.86	1
11.	2279894	RRC_KI_T1	25.17	20	275.91	1
12.	2283216	Torino	25.17	1		1
13.	2283226	UIB	25.17	22	316.82	1
14.	2284215	Athens	16.78	15	403.94	1
15.	2285713	Bari	16.78	25	389.74	1
16.	2284308	Birmingham	16.78	22	271.34	1
17.	2284303	CCIN2P3	16.78	24	301.35	1
18.	2282909	Clermont	16.78	24	304.13	1
19.	2285620	CNAF	16.78	25	369.45	1
20.	2284052	COMSATS	16.78	18	353.80	1
21.	2284202	GRIF_IRFU_ARC	16.78	17	295.52	1

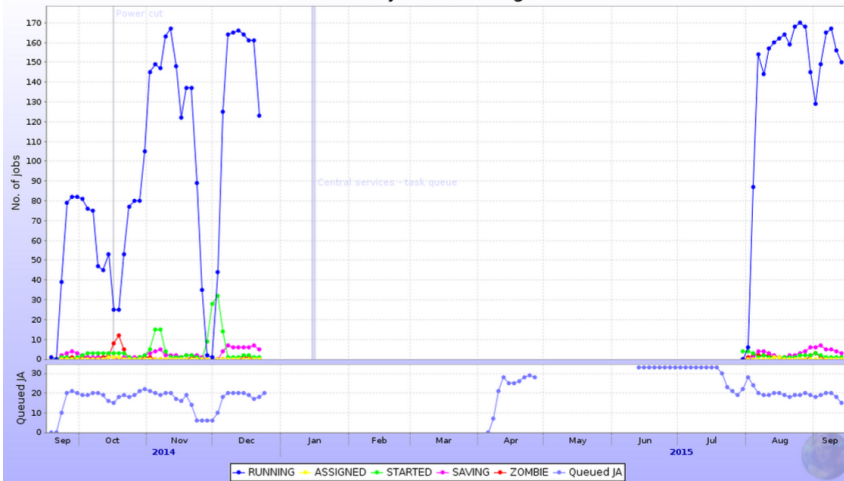
OUT to

No.	ID	Site	Speed (Mbps)	Hops	RTT (ms)	Streams
1.	2284891	ISMA	50.33	15	282.77	1
2.	2282052	FZK	41.95	18	227.97	1
3.	2267952	LLNL	41.95	15	226.57	1
4.	2279227	GRIF_IPNO	33.56	20	303.66	1
5.	2282804	ICYB	33.56	14	265.83	1
6.	2284851	Trieste	33.56	18	365.48	1
7.	2284106	Birmingham	25.17	19	215.72	1
8.	2279228	BITP	25.17	16	297.88	1
9.	2282874	GRIF_IRFU	25.17	22	288.08	1
10.	2284056	JINR	25.17	16	280.39	1
11.	2283281	Kosice	25.17	15	256.61	1
12.	2283133	PNPI	25.17	14	272.91	1
13.	2282931	Prague	25.17	14	238.78	1
14.	2280286	SNIC	25.17	25	316.43	1
15.	2284344	SUT	25.17	15	291.25	1
16.	2282427	UIB	25.17	24	325.90	1
17.	2282005	UNAM_T1	25.17	19	264.47	1
18.	2285130	Bratislava	16.78	16	261.99	1
19.	2284616	Cagliari	16.78	16	323.27	1
20.	2284943	CERN-AURORA	16.78	16	312.05	1
21.	2280453	CERN-TRITON	16.78	16	313.42	1



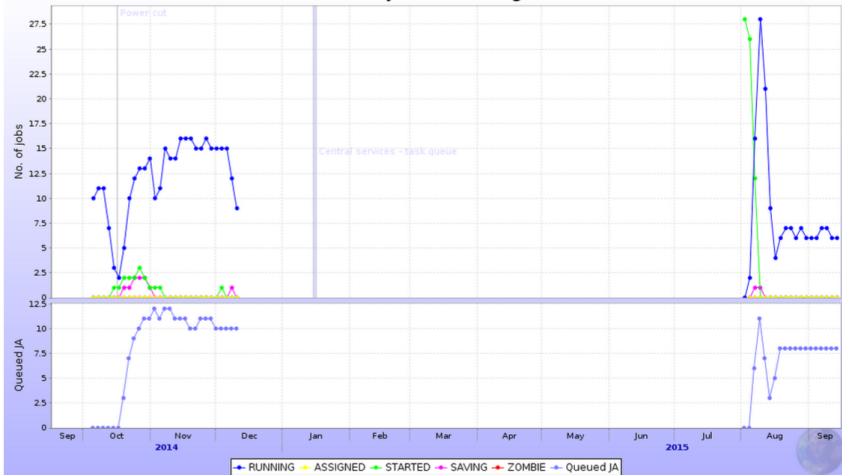
Current Status

Active jobs in Cibinong



Current Status

Active jobs in Bandung



Currently

- Network problem: hardware failure at Cibinong site

Before:

- Hardware problem at master node
- Cooling system at data center
- Network problem, majority at ISP
- Human resource

Currently

- Network problem: hardware failure at Cibinong site

Before:

- Hardware problem at master node
- Cooling system at data center
- Network problem, majority at ISP
- Human resource

Near Future

- Setup the storage
- Increase number of node at Bandung site

Future

- plan to upgrade in 2017 (Nodes, storage or/and network) subject to current performance evaluation

Thank You
Terima kasih