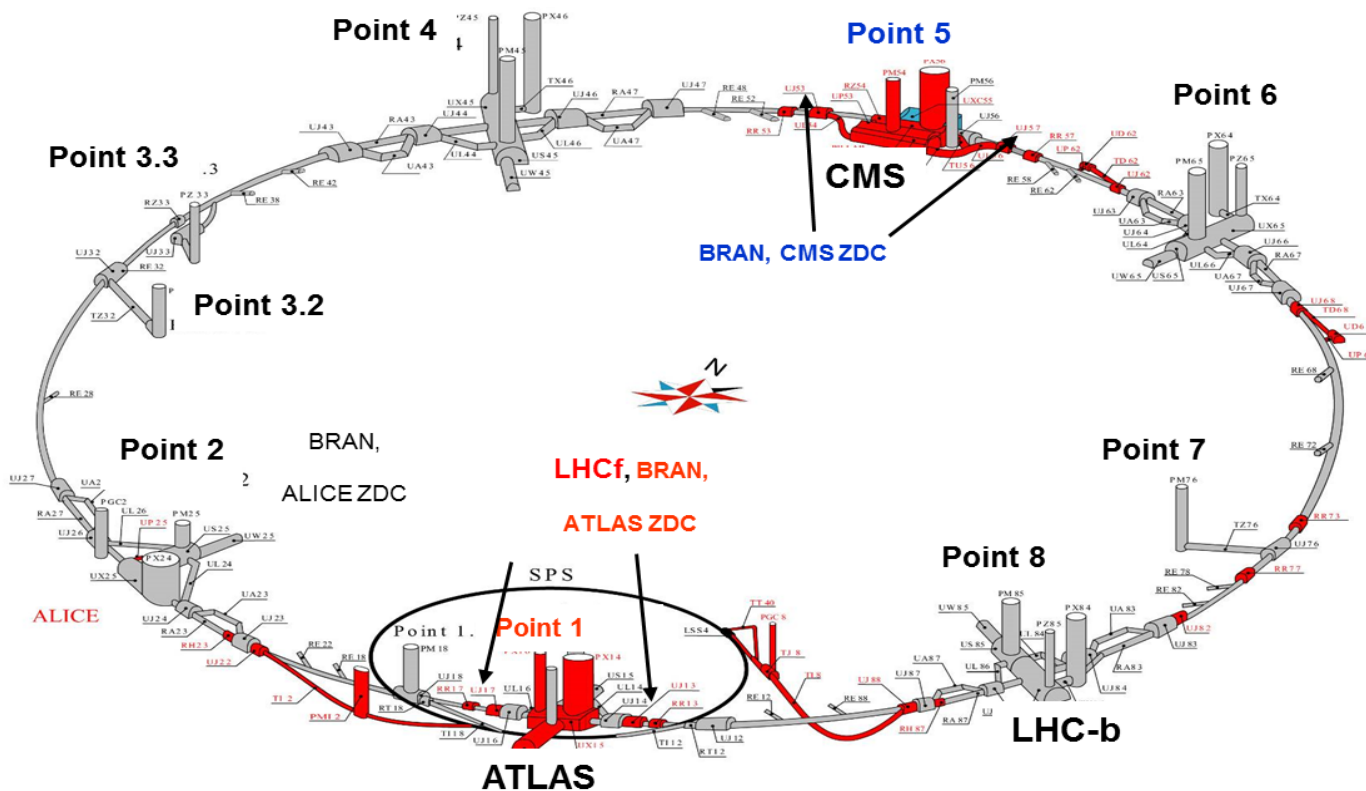
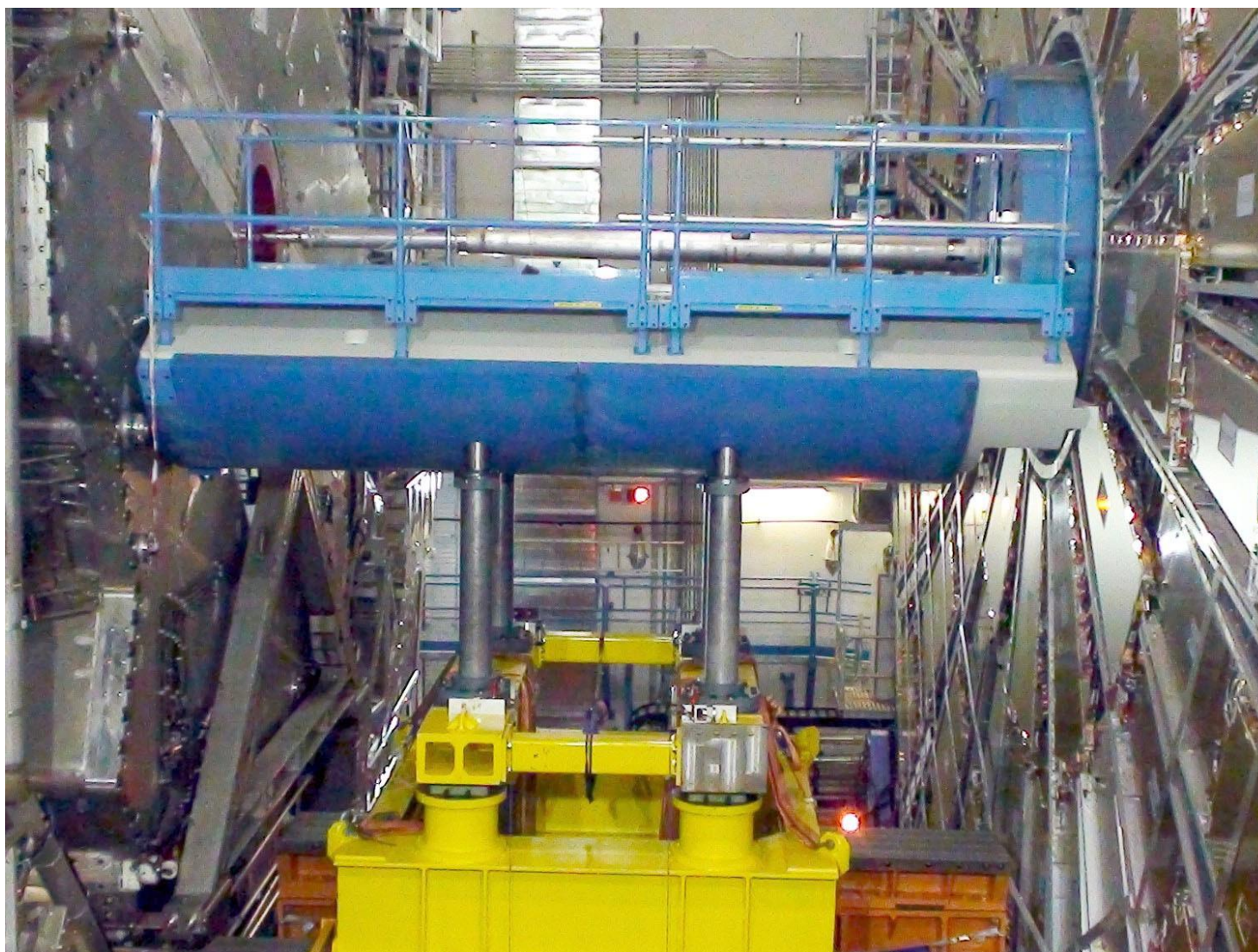




ATLAS TAS REGION. POSSIBLE MODIFICATIONS IN JTT

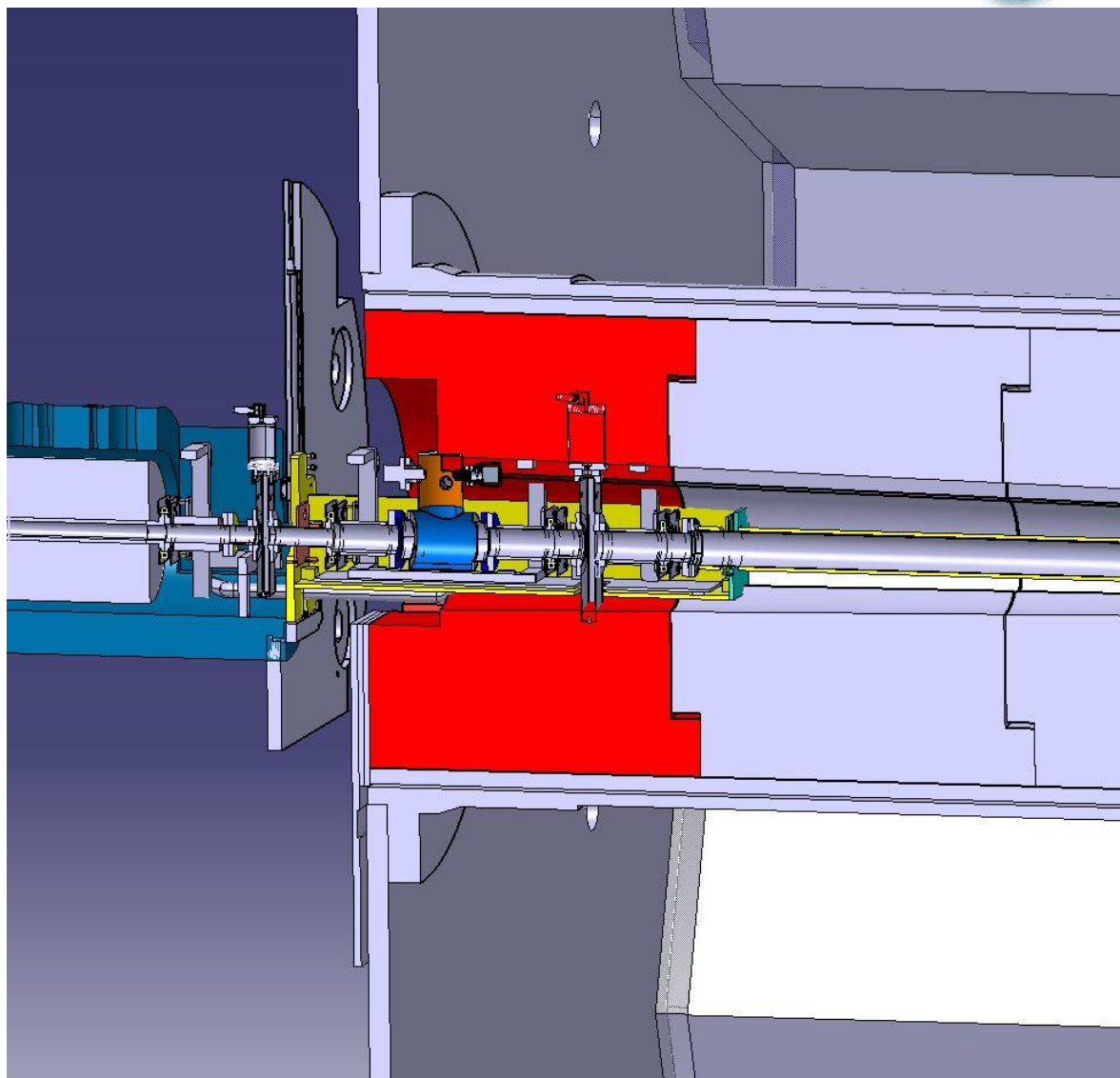
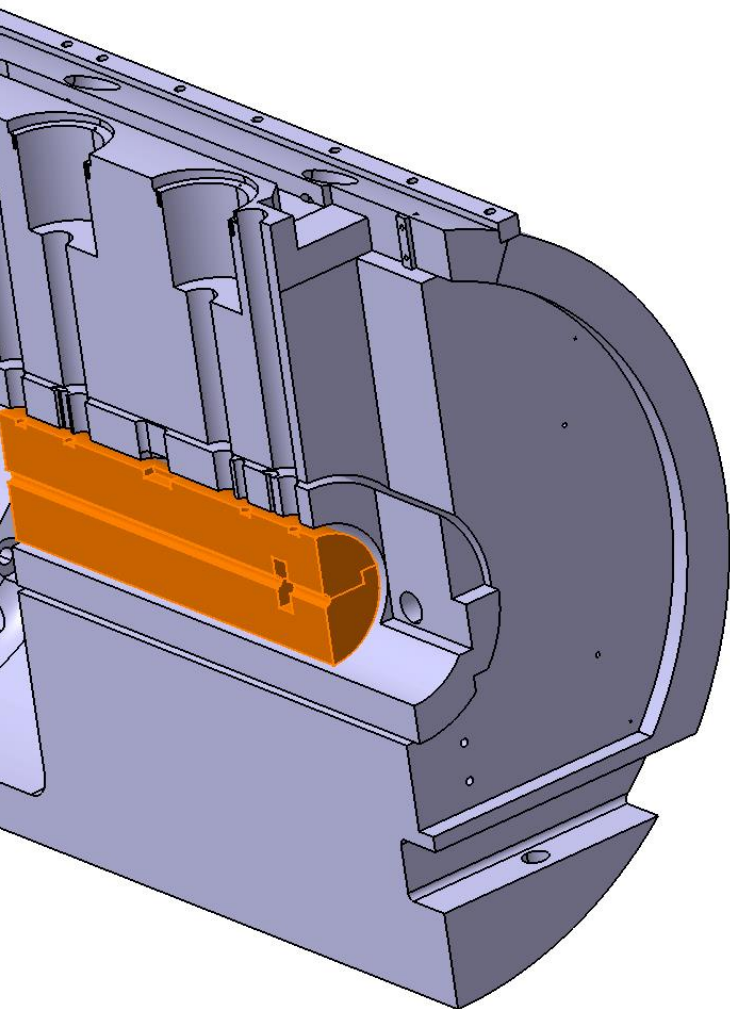


Interference with ATLAS JTT opening.

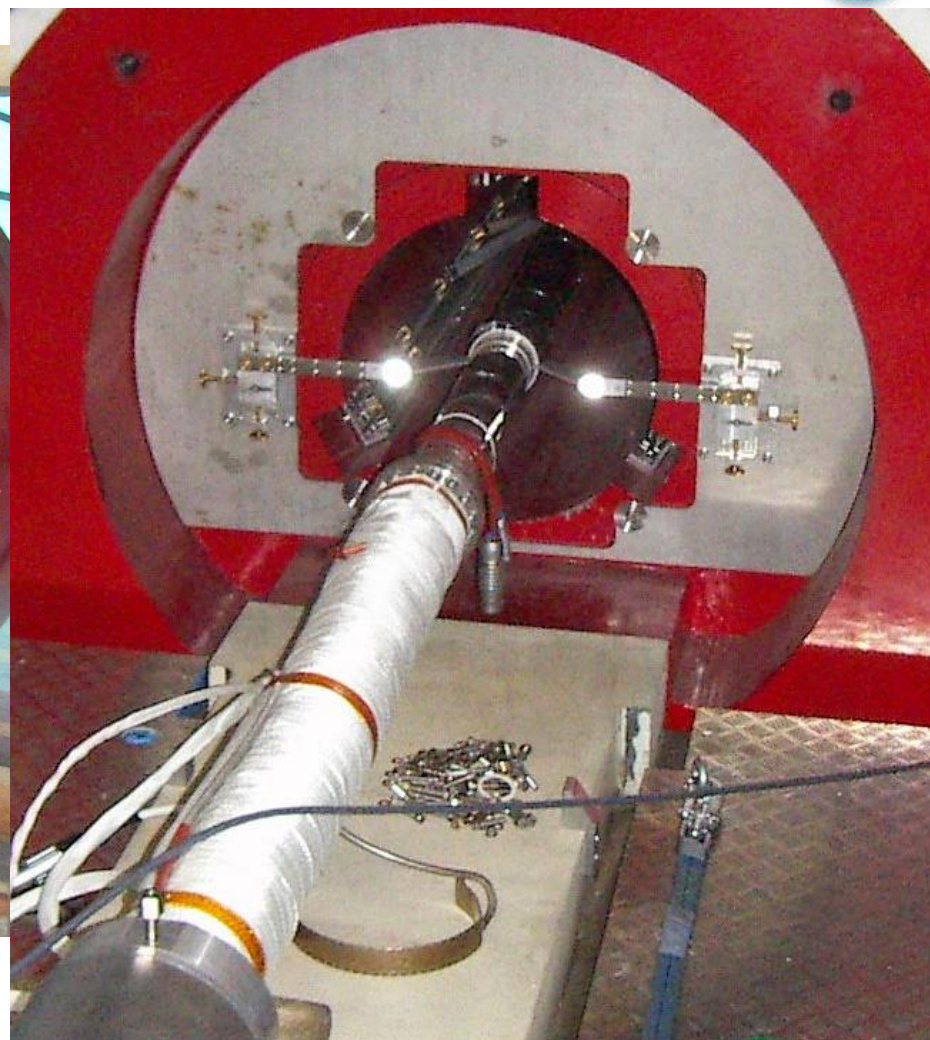




Interference with ATLAS JTT opening.



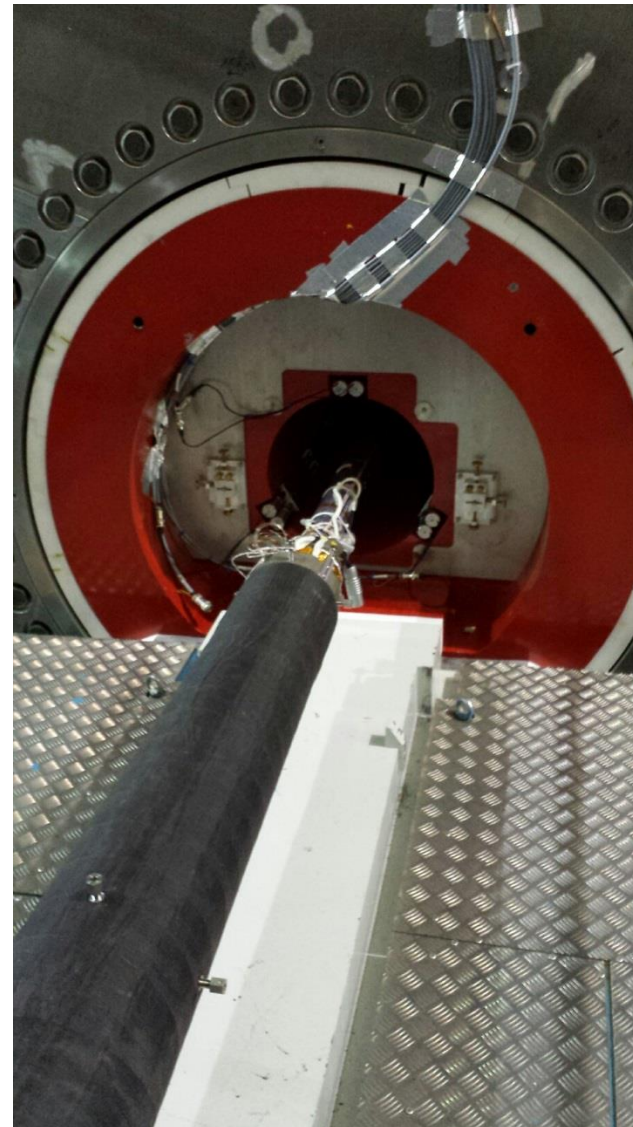
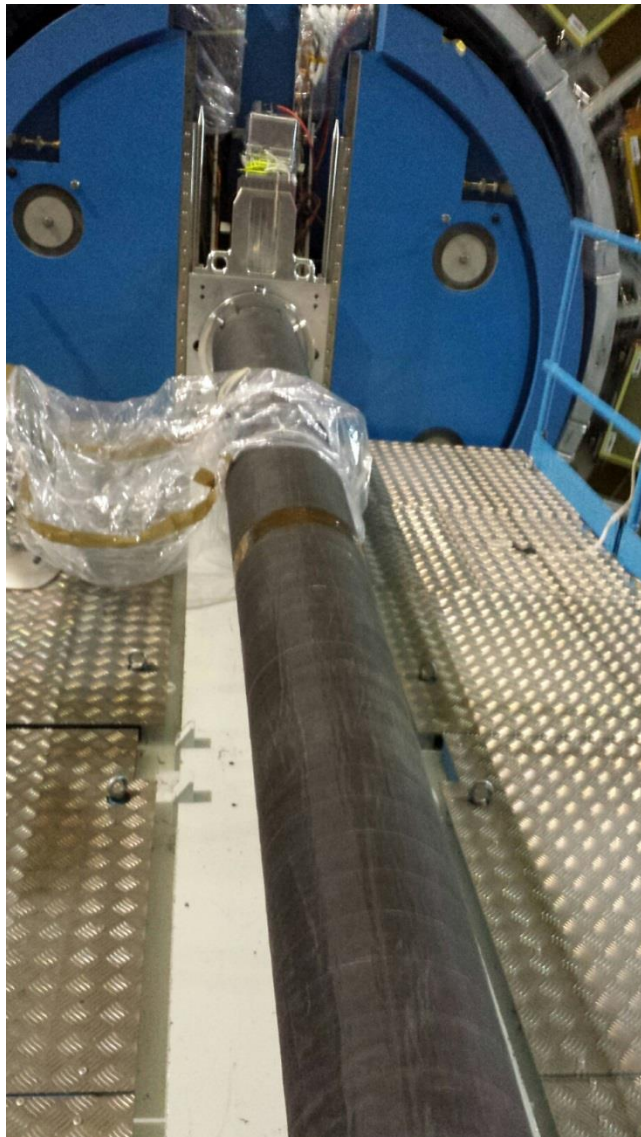
Interference with ATLAS JTT opening.



Interference with ATLAS JTT opening.

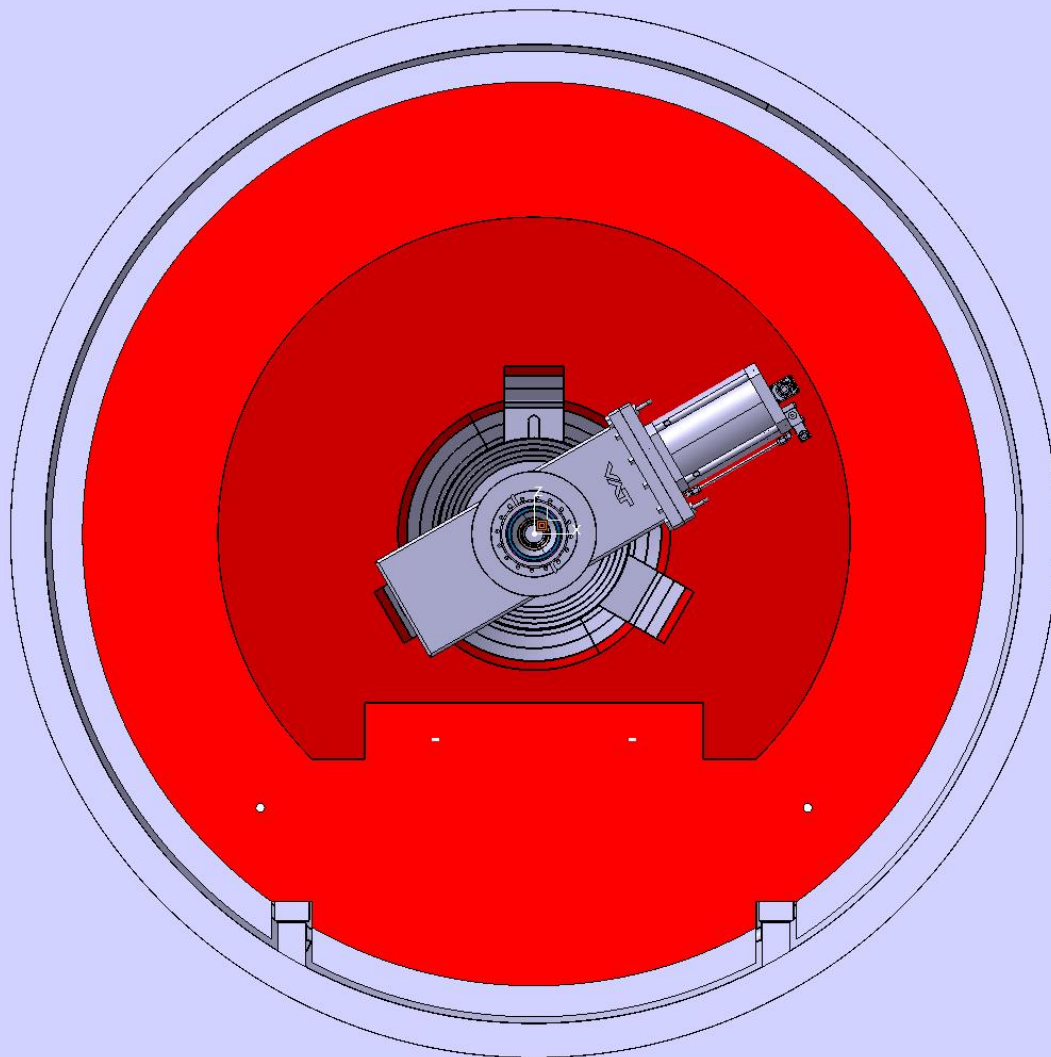


Interference with ATLAS JTT opening.



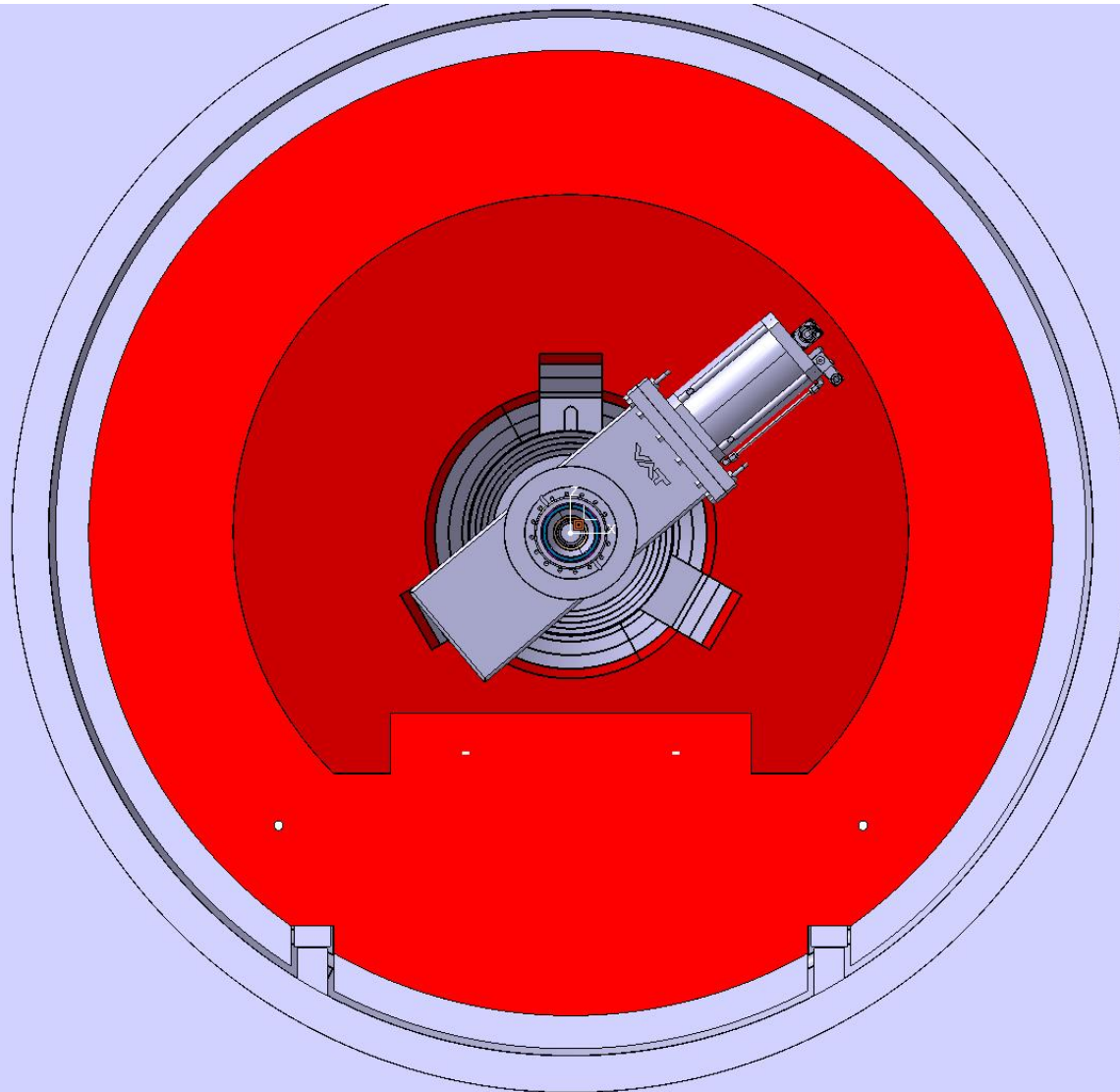


Interference with ATLAS JTT opening.



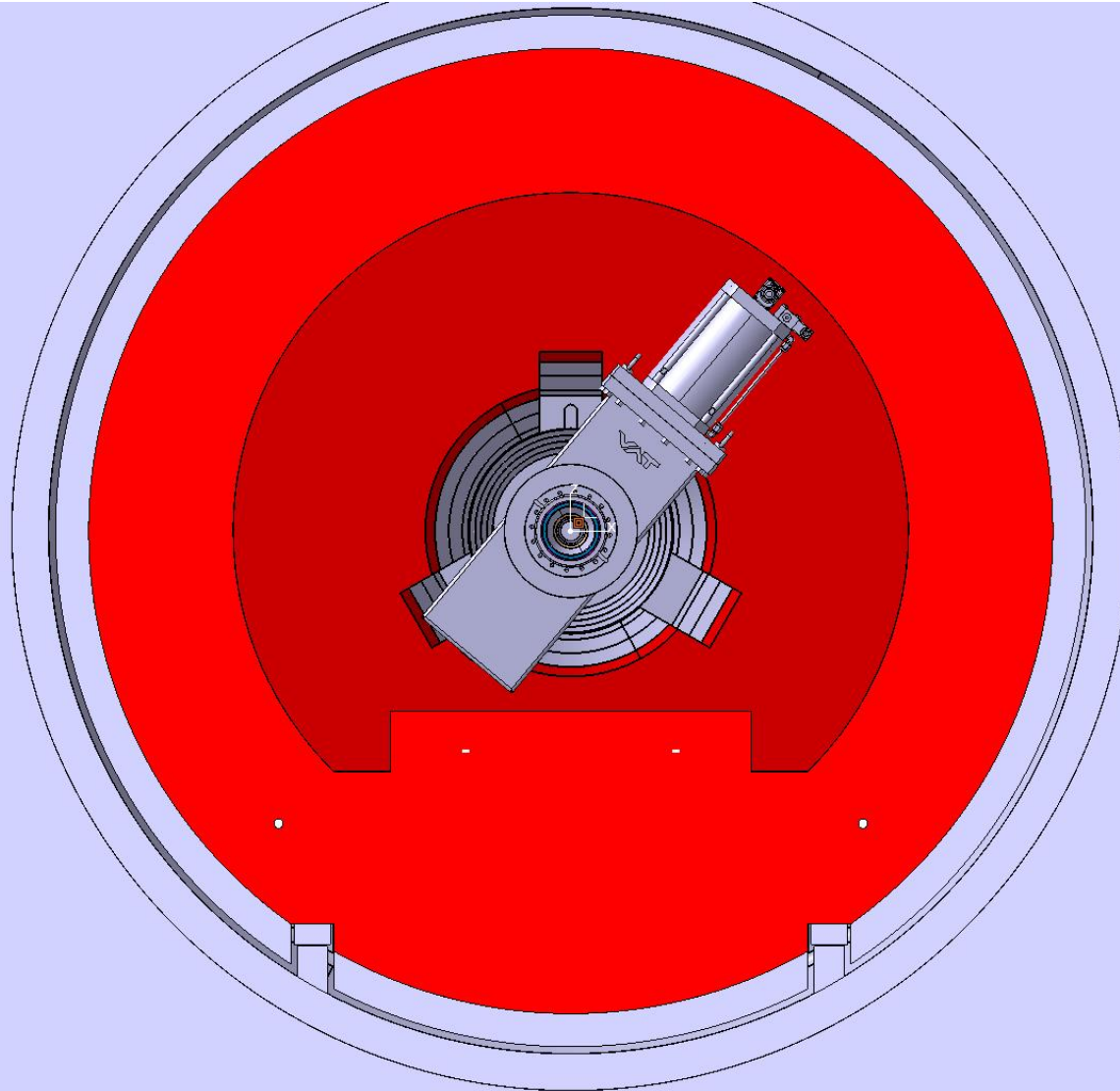


Interference with ATLAS JTT opening.



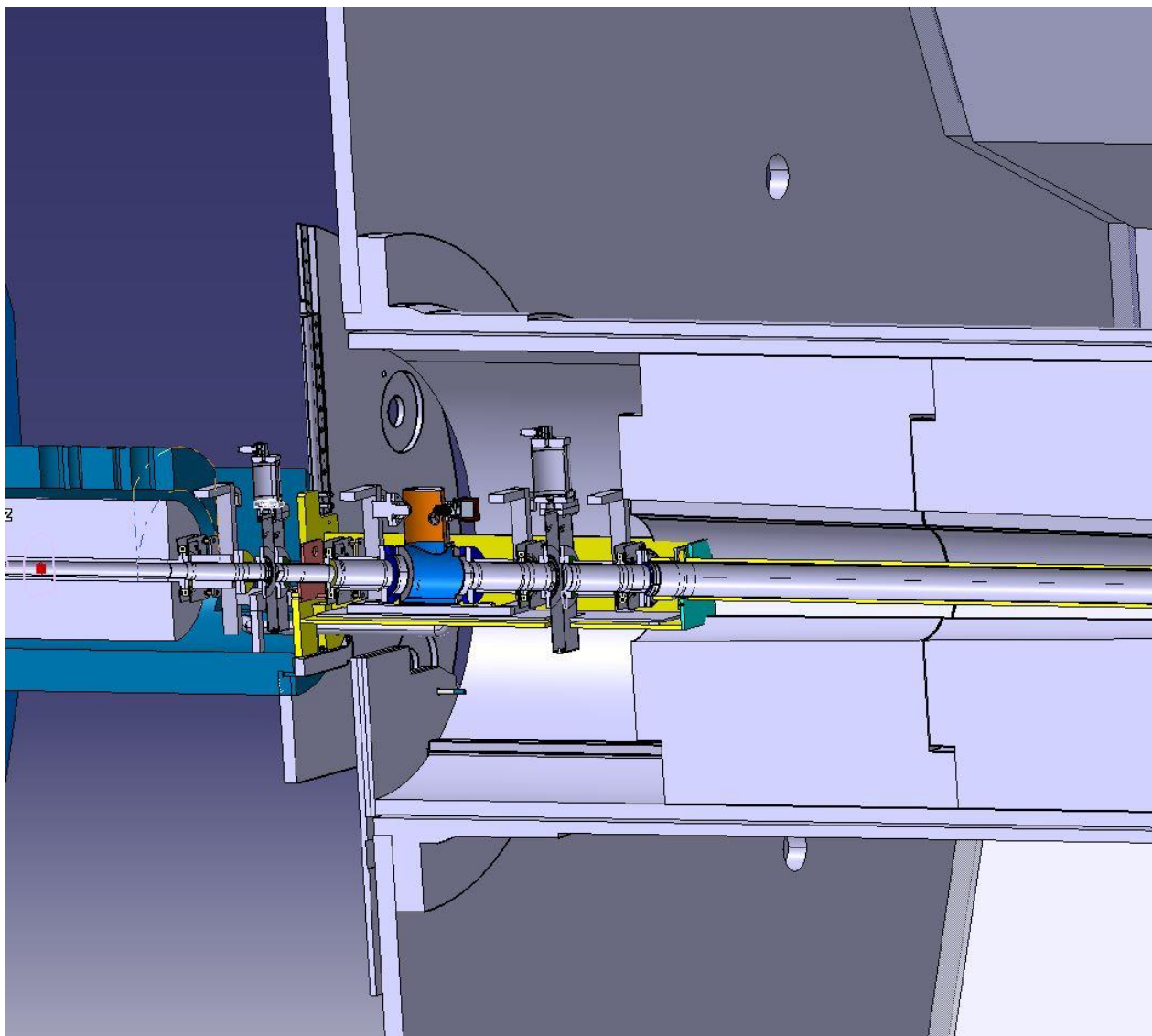


Interference with ATLAS JTT opening.



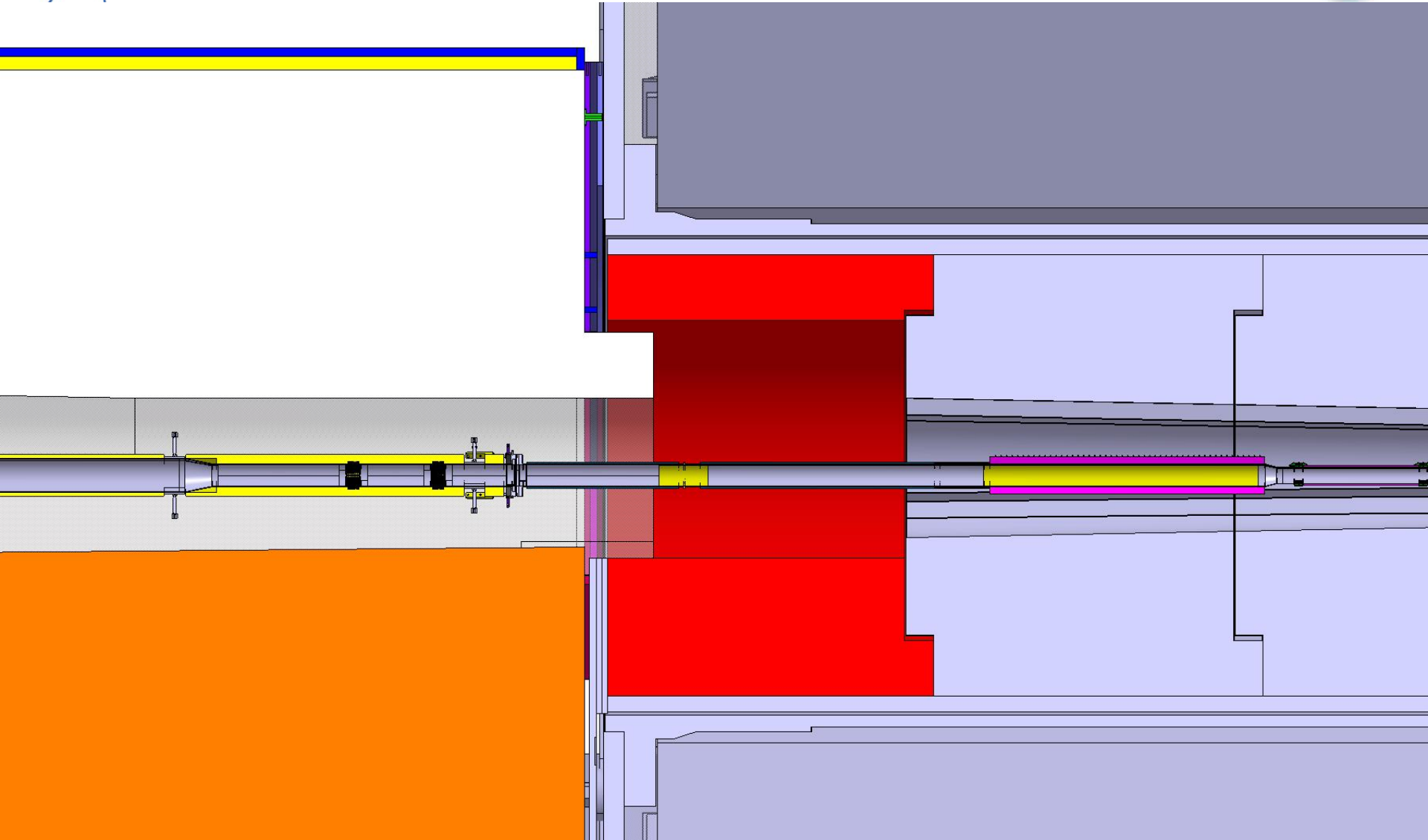


Interference with ATLAS JTT opening.



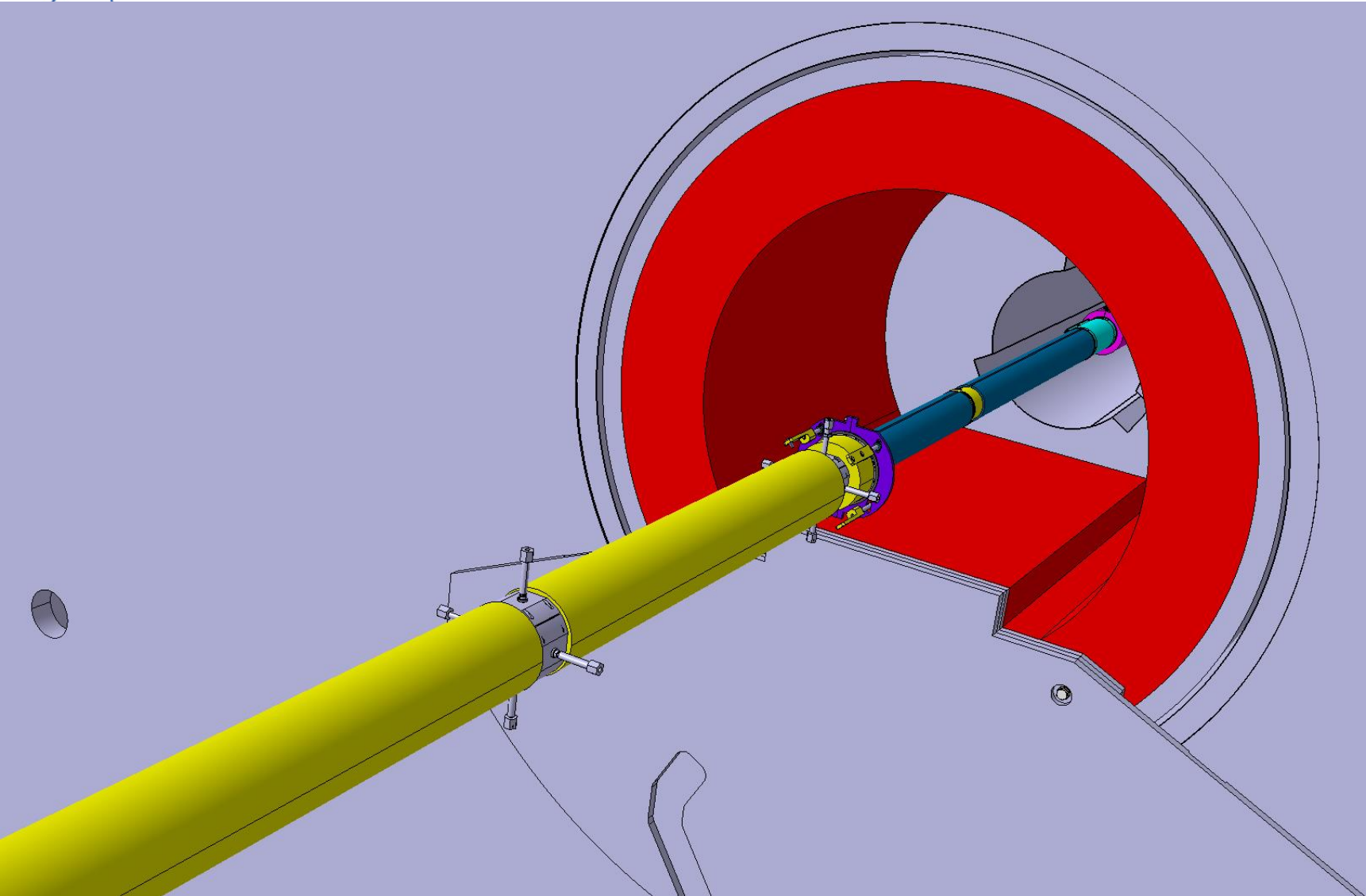


Interference with ATLAS JTT opening.



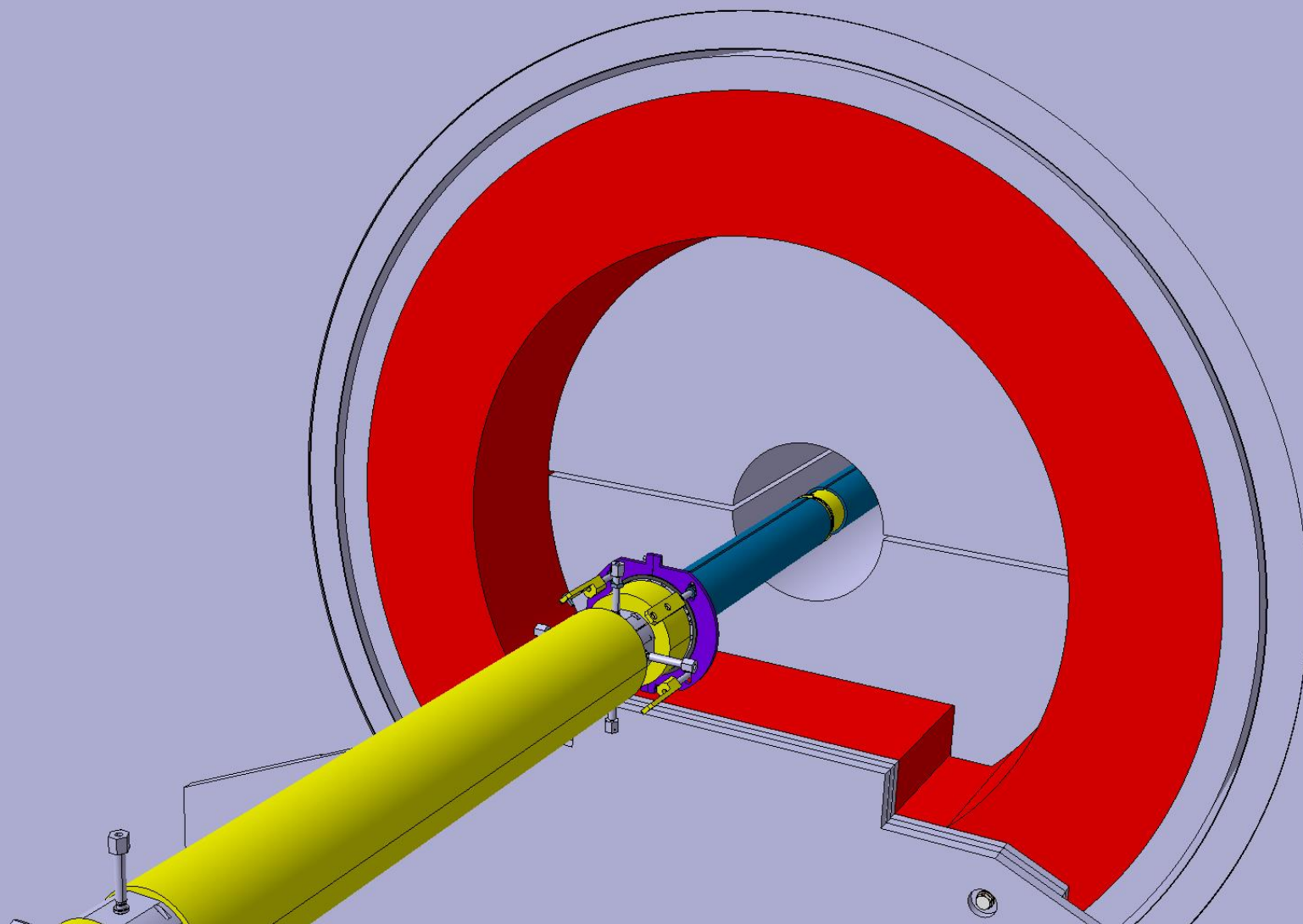


Interference with ATLAS JTT opening.



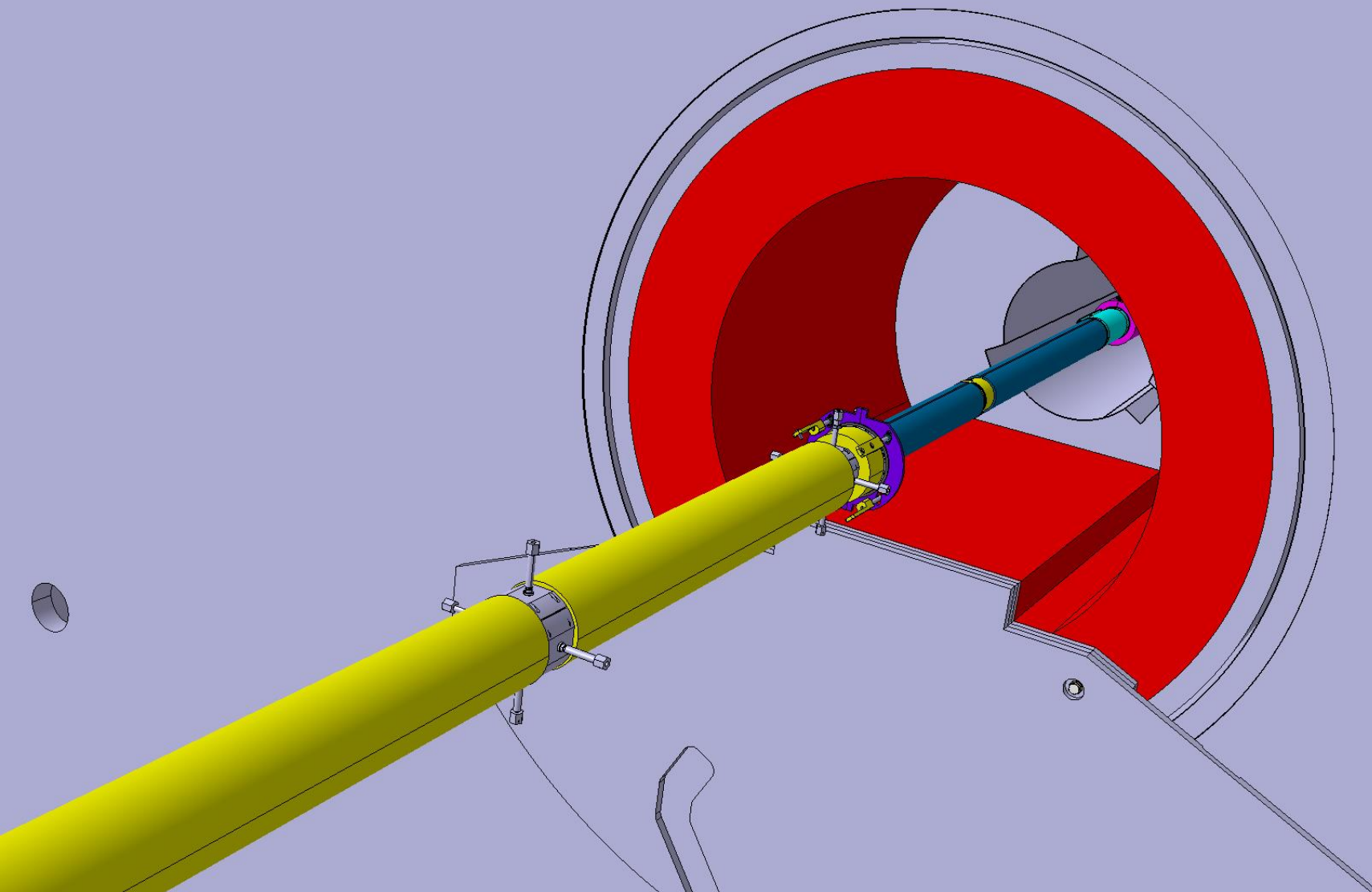


Interference with ATLAS JTT opening.



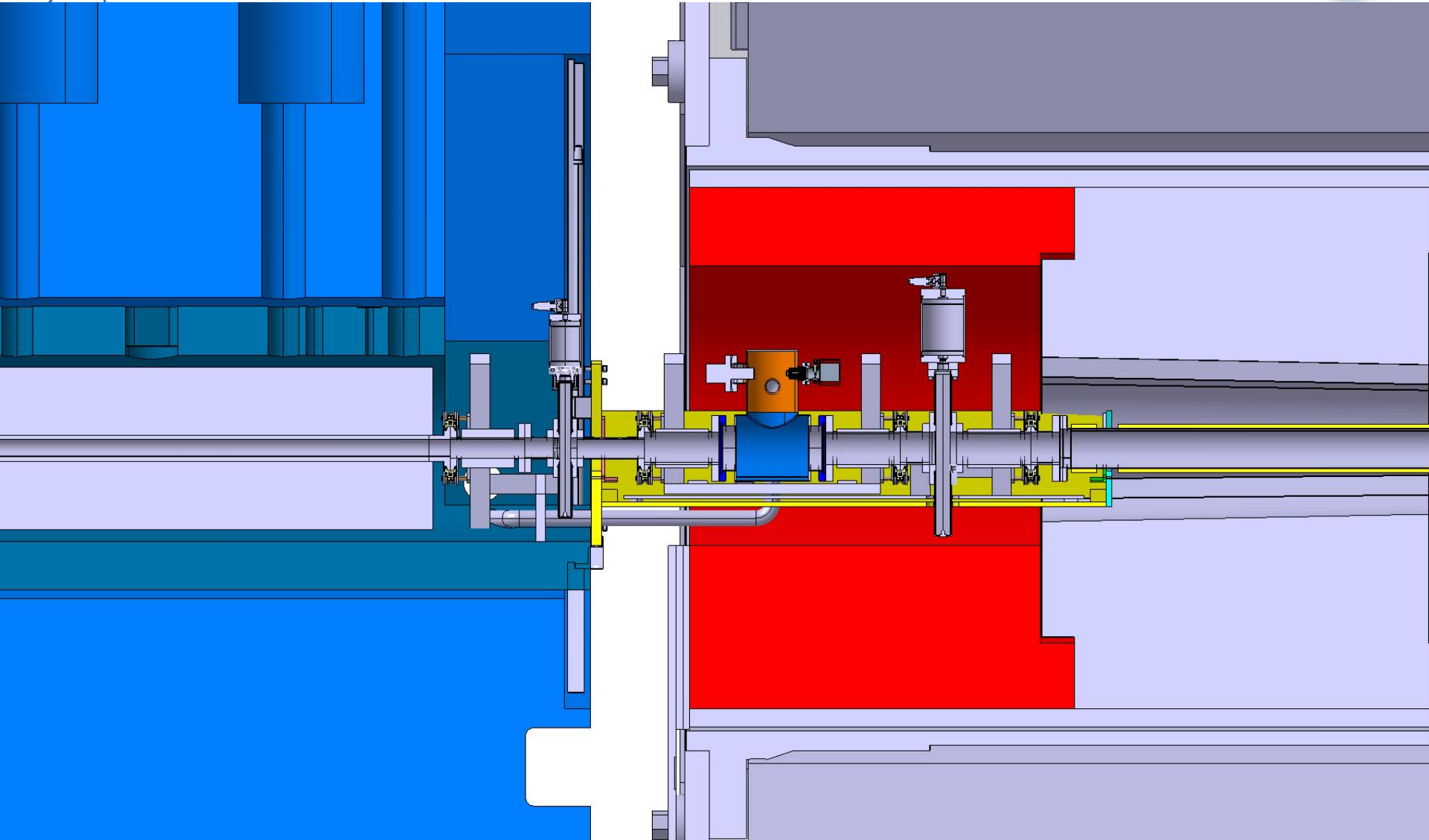


Interference with ATLAS JTT opening.

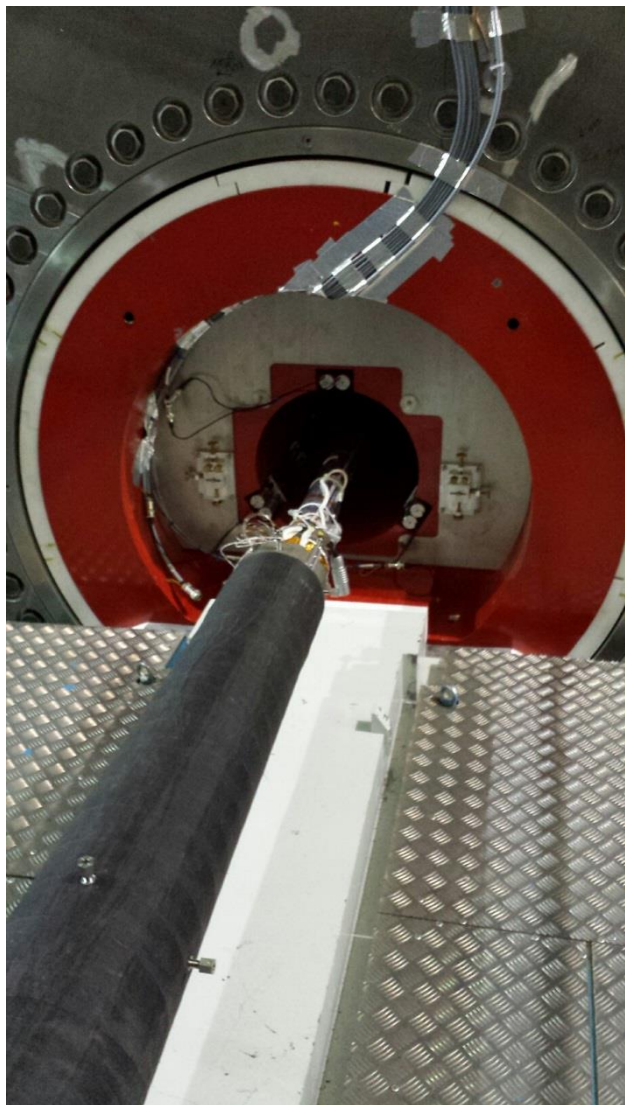




Interference with ATLAS JTT opening.



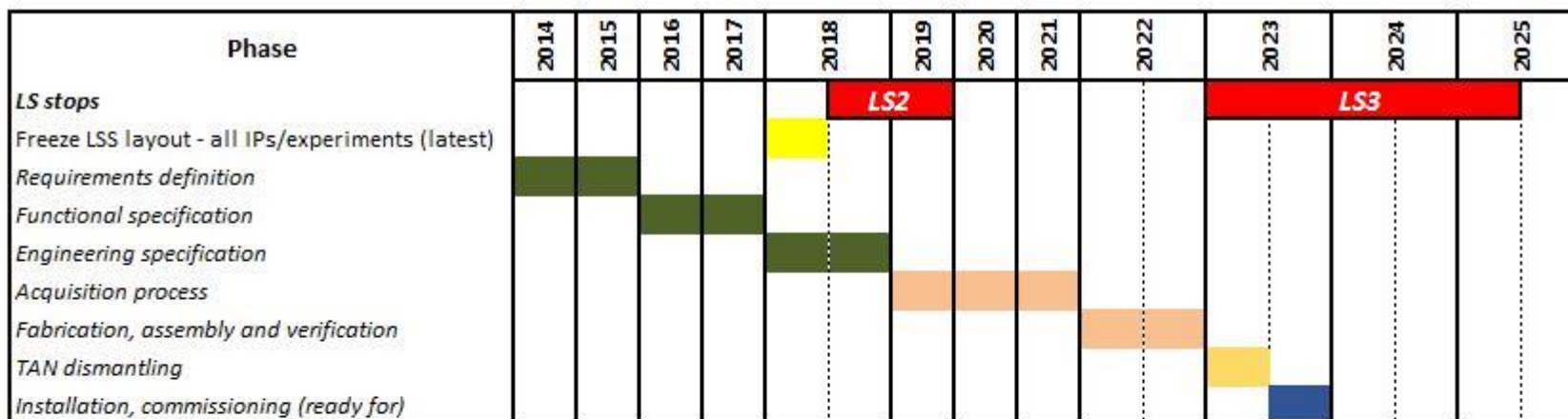
Interference with ATLAS JTT opening.





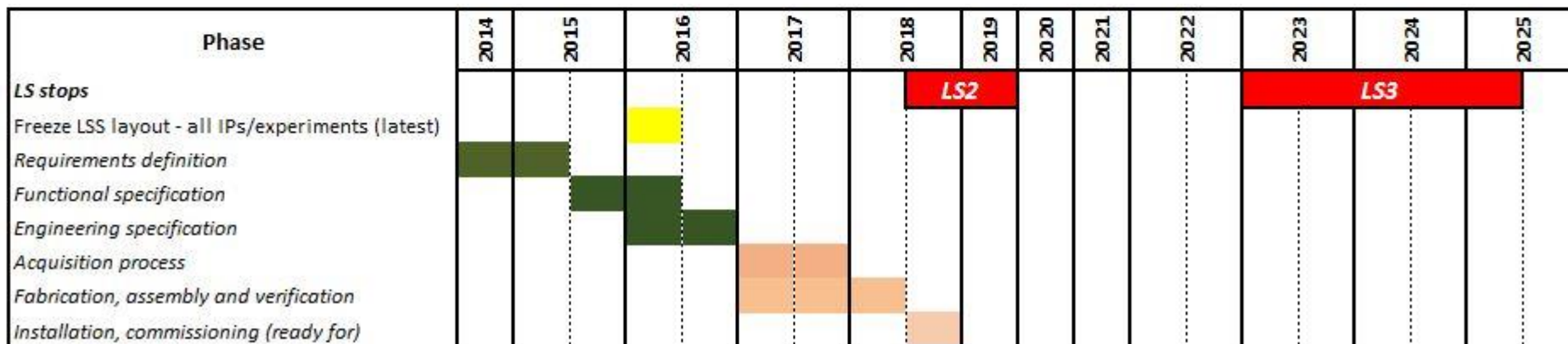
TAXN at P8 Timeline

Timeline for the TAXN IP1 & IP5 baseline scenario - exchange from TAN to TAXN during LS3.



Last update: September 16, 2014

Timeline for the TAXN IP8 baseline scenario - installation during LS2.



Last update: October 17, 2014