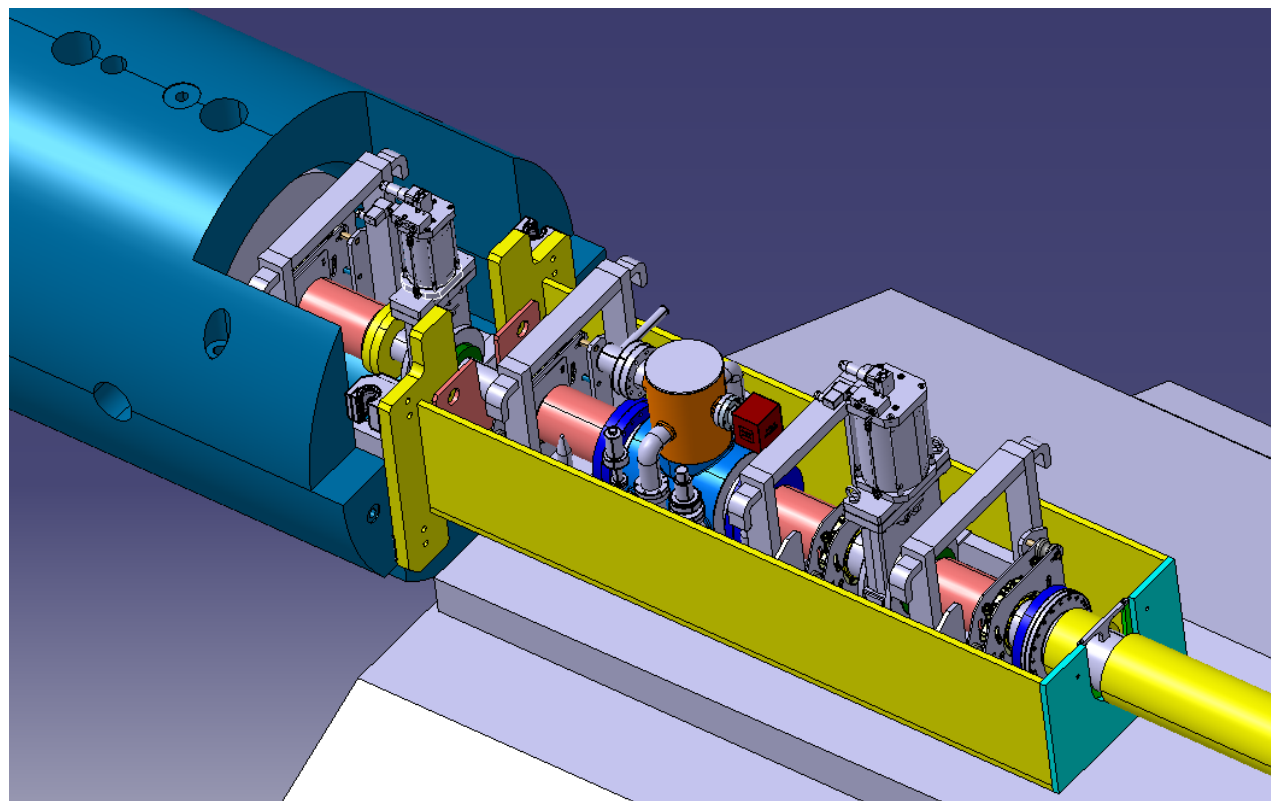
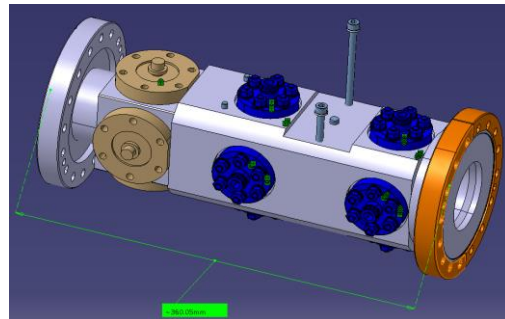
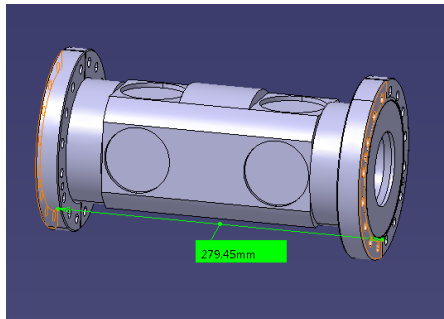
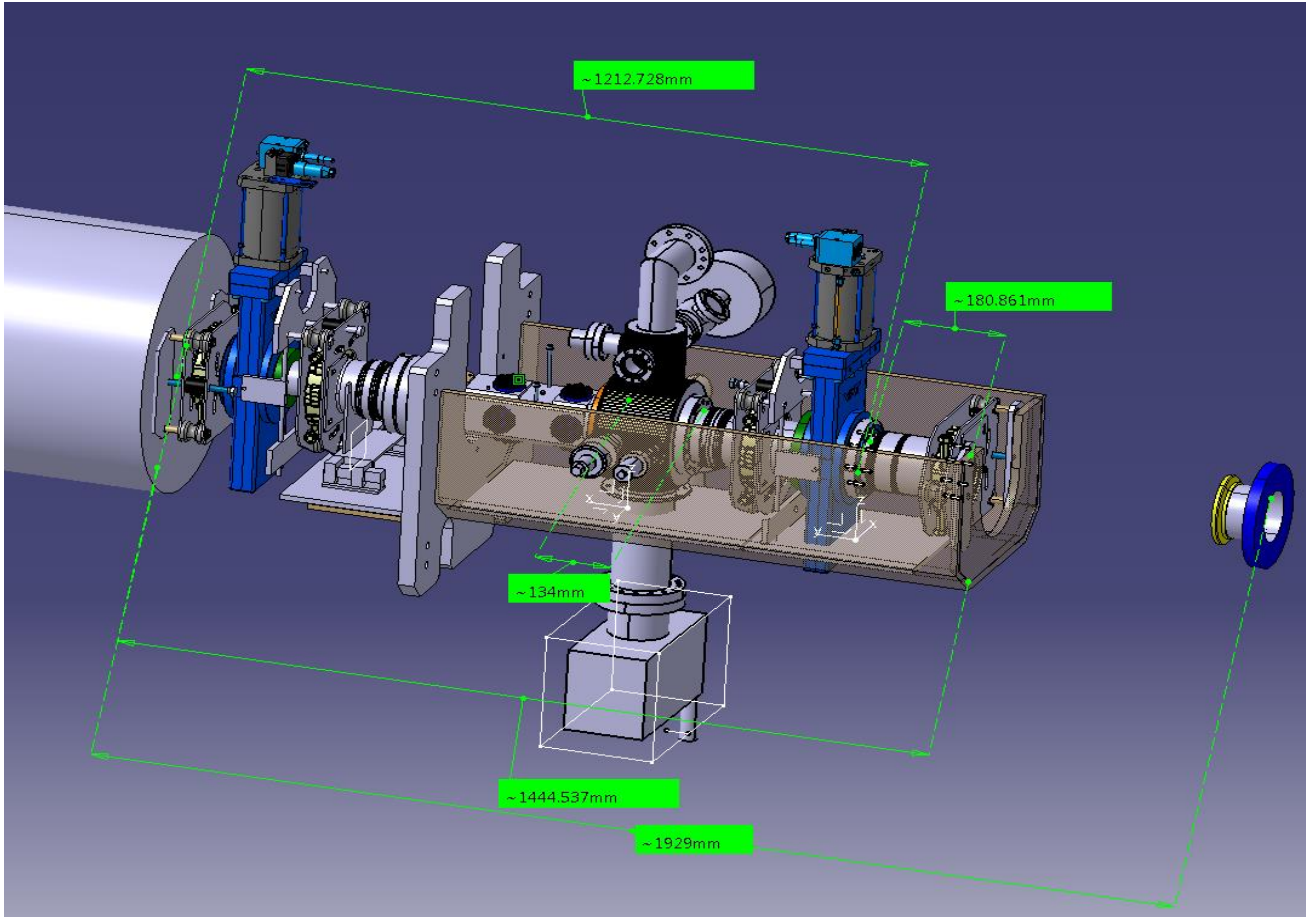


WP8 bi-weekly meeting
26.05.2015

New design proposal of Q1TAS area



Present BPM



BPMSW

