



Date: 03/06/2015

Q5 replacement at point 6 right

Integration proposition for new Q5R6.

DOCUMENT PREPARED BY:

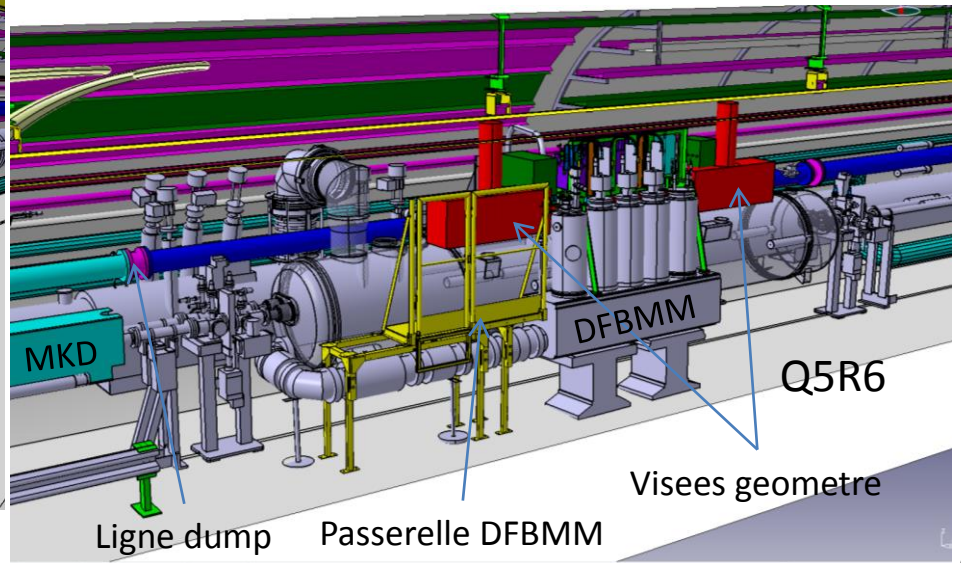
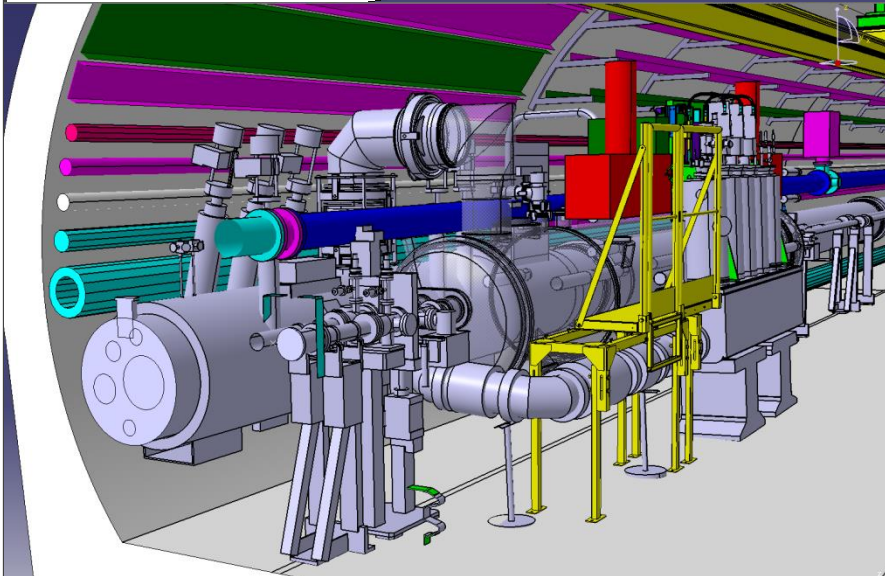
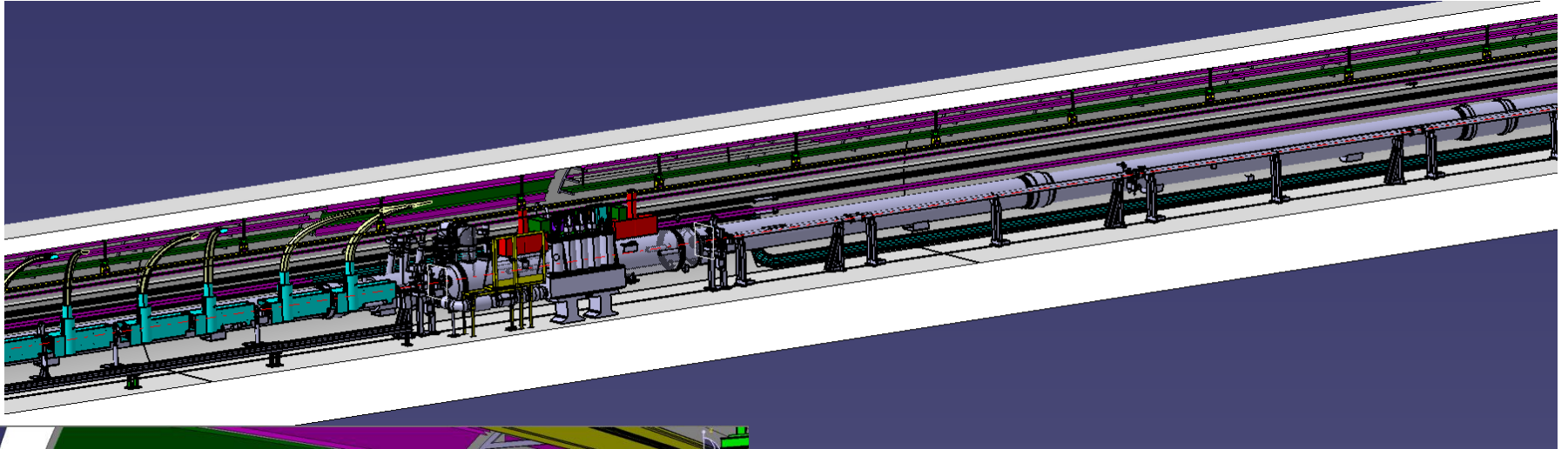
C. Magnier

DOCUMENT **TO BE** CHECKED BY:

DOCUMENT **TO BE** APPROVED BY:

DOCUMENT SENT FOR INFORMATION TO:

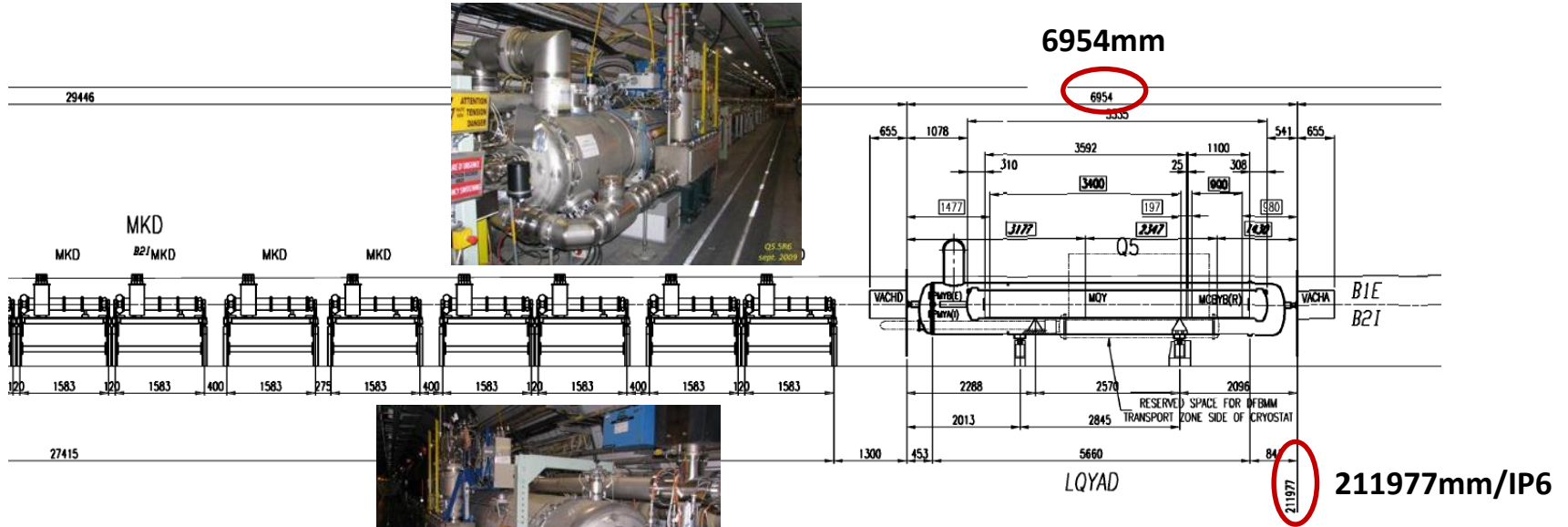
- Actual situation (on 3D model)



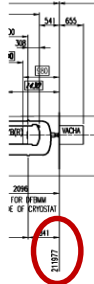
Actual situation 3D pictures



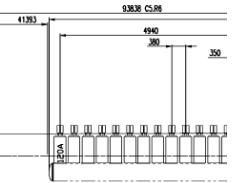
• C5R6 actual layout



Q5R6

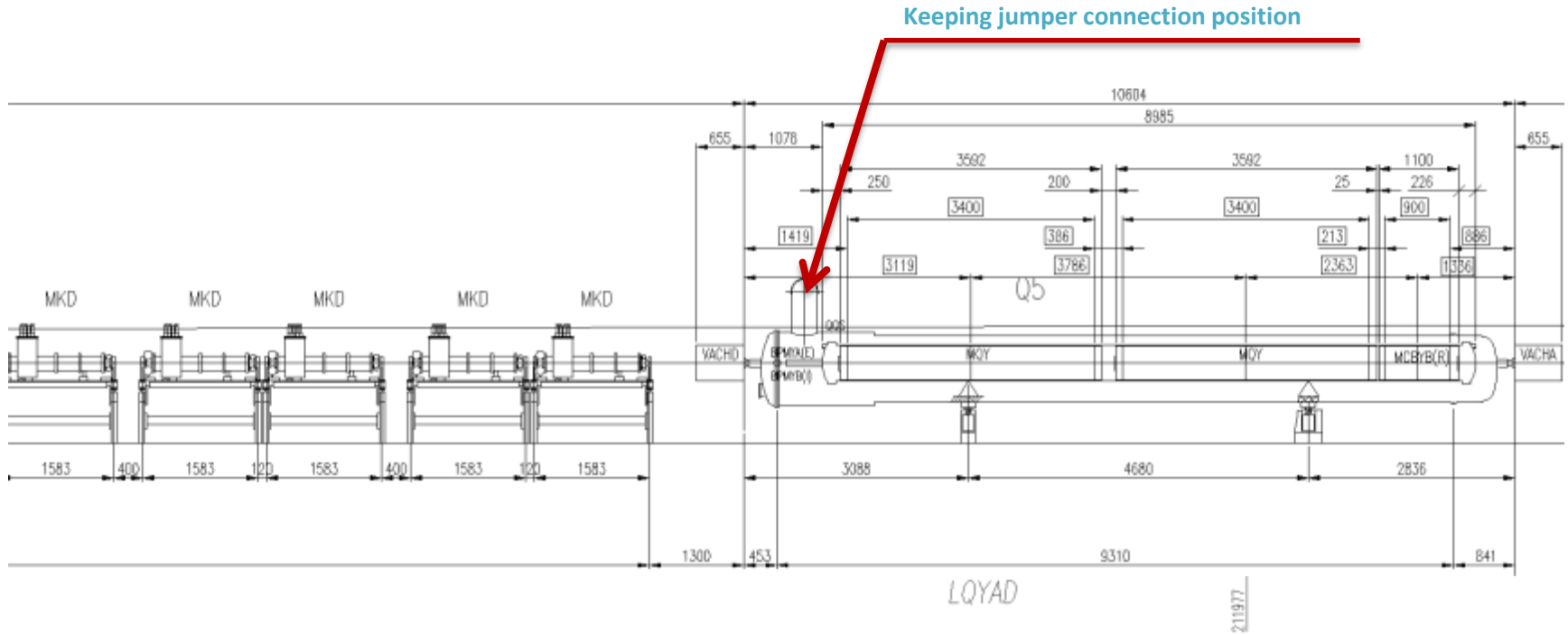


211977mm/IP6



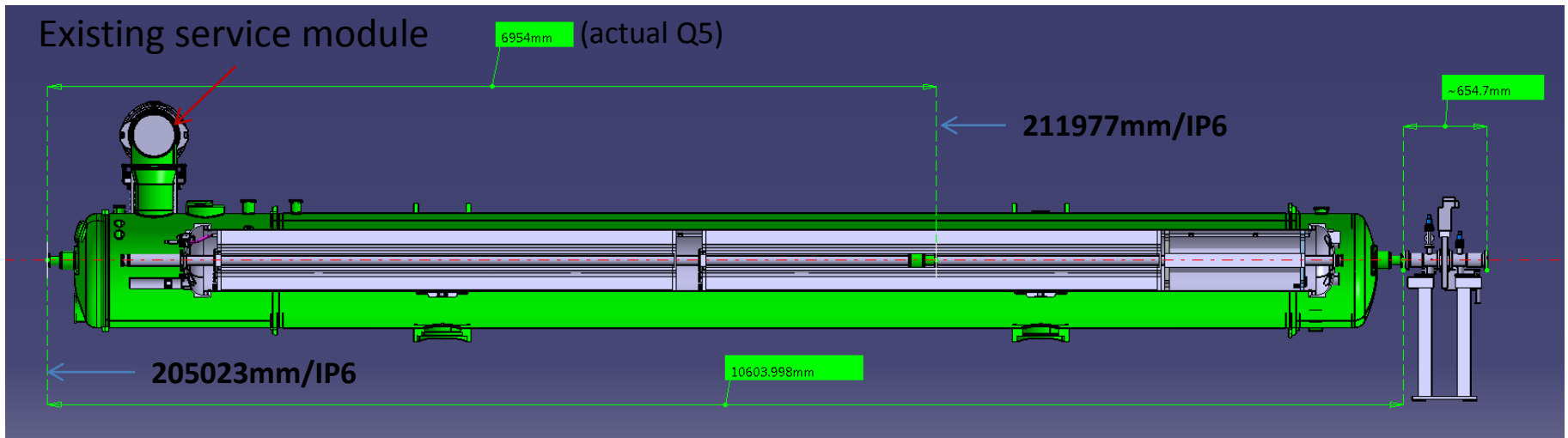
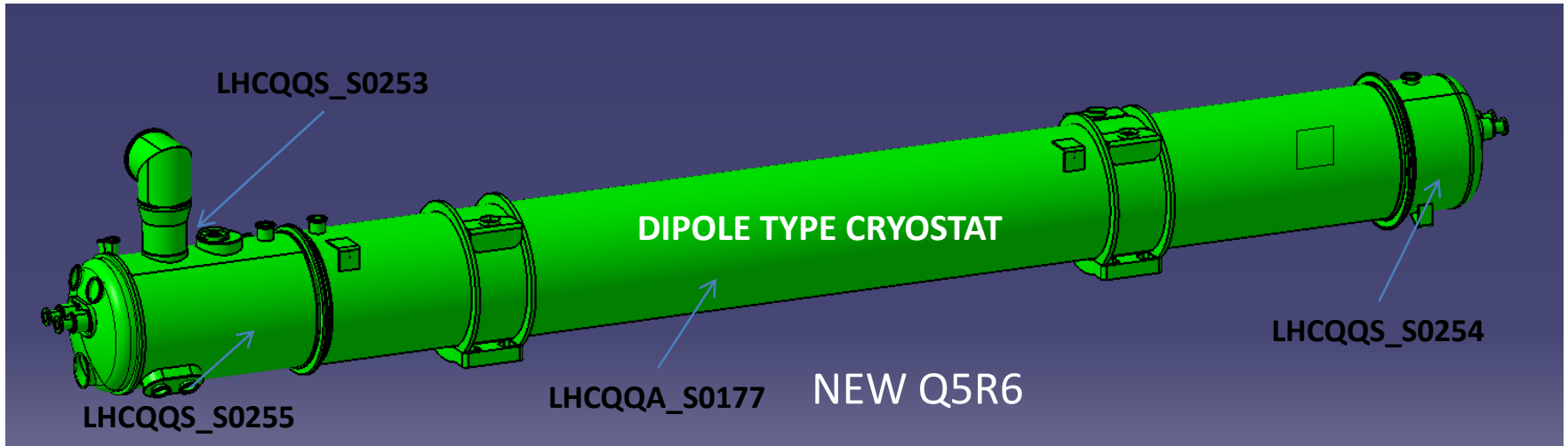
DFBAL

Layout proposal – R6

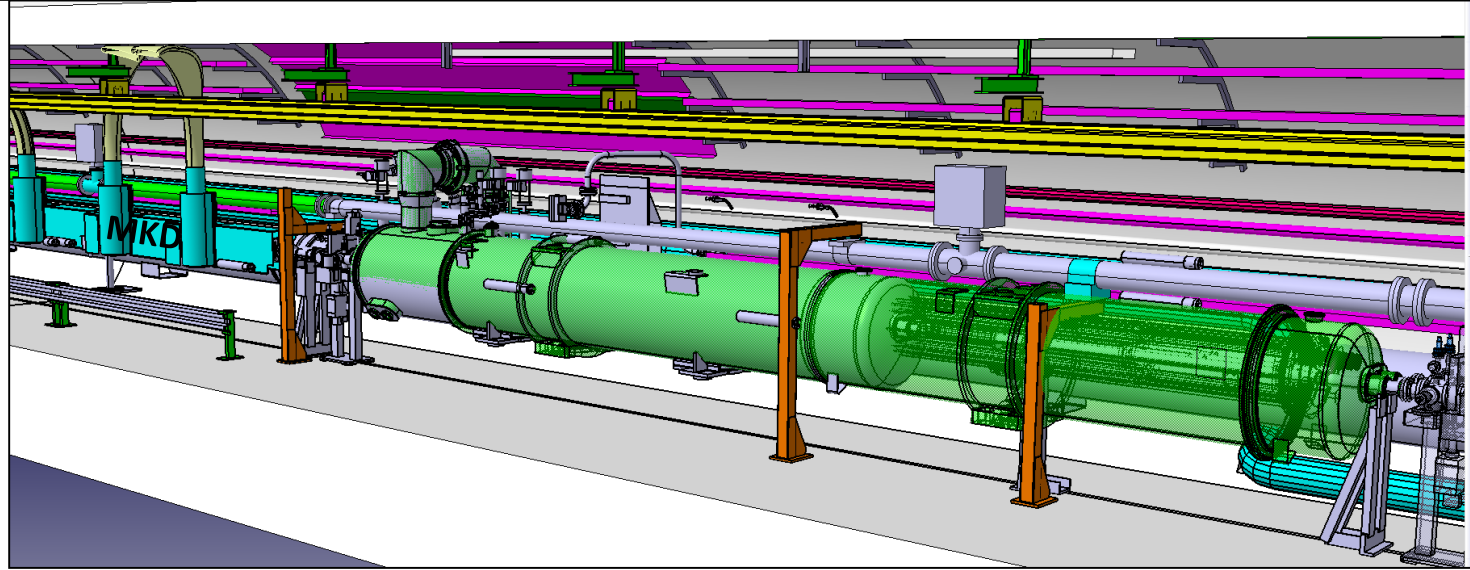
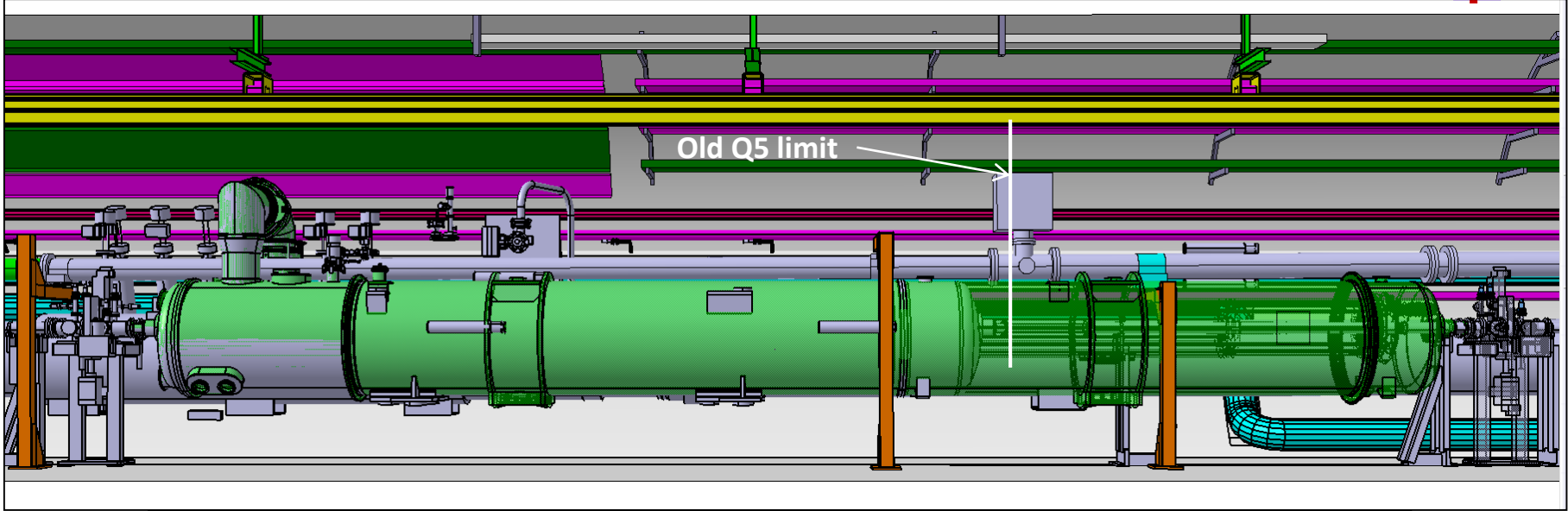


BPMY.5R6 = ~205.482 from=IP6;
 MQY.A5R6 = 208.142 from IP6;
 MQY.B5R6 = 211.928 from IP6;
 MCBY.5R6 = 214.291 from IP6;

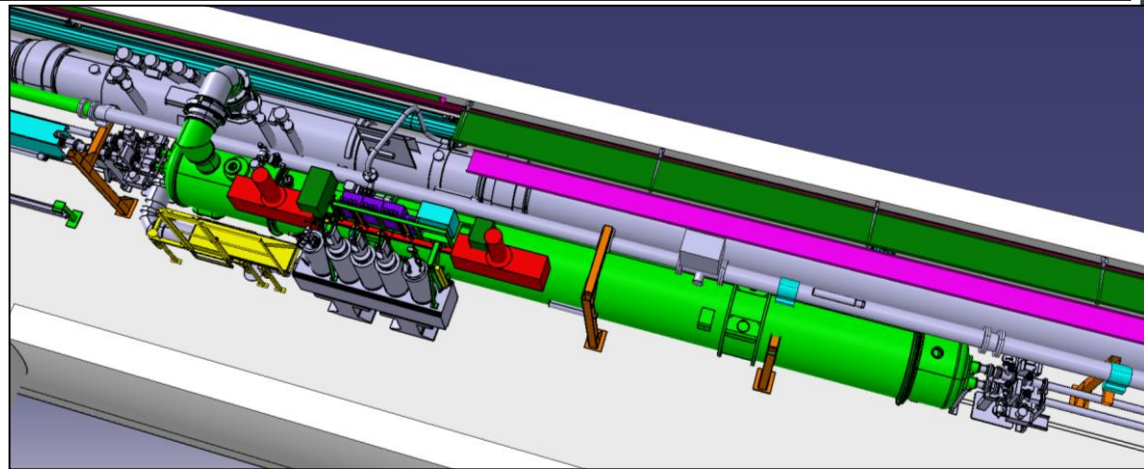
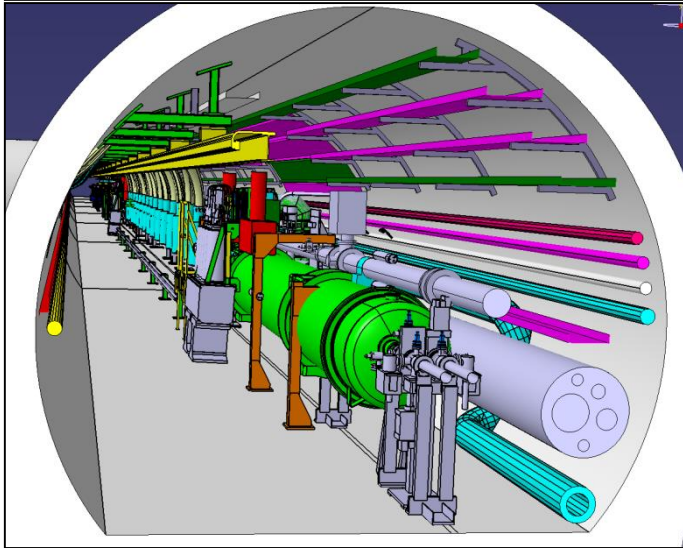
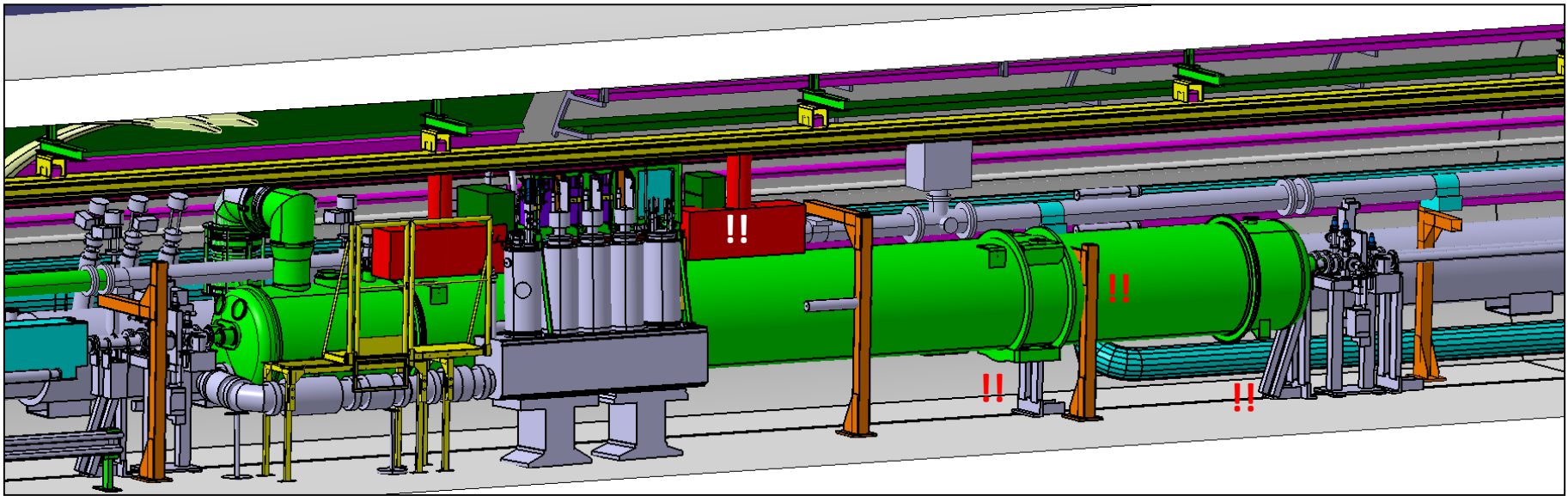
- New integration proposition



- New Q5R6 in place



- Q5R6 integration



- Conclusion

- Vacuum supports and vacuum chambers to be revised in the new Q5 sector
- At least one beam dump support to replace
- Survey space reservation to be change according to the new Q5 cryostat
- BLM position to be check (beam dump and LHC beam lines)
- No changes around DFBMM