

CASTOR and GridFTP

Emil Knezo
PPARC-LCG-Fellow
CERN IT-DS-HSM
August 2002



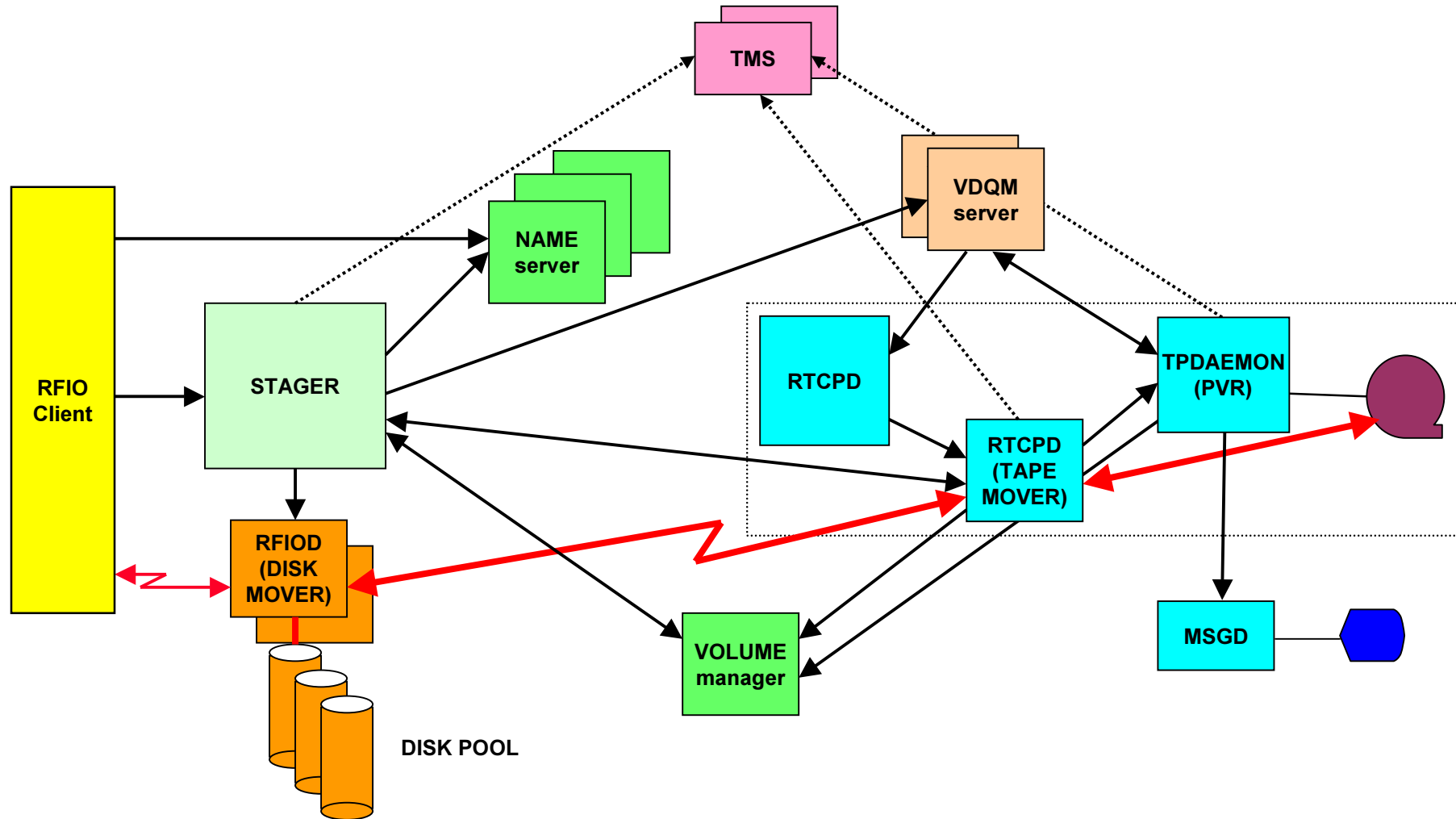
Agenda



- ◆ **Current CASTOR connection to the outside world**
- ◆ **GridFTP status/plans**
- ◆ **GSI-CASTOR code integration status**



CASTOR layout



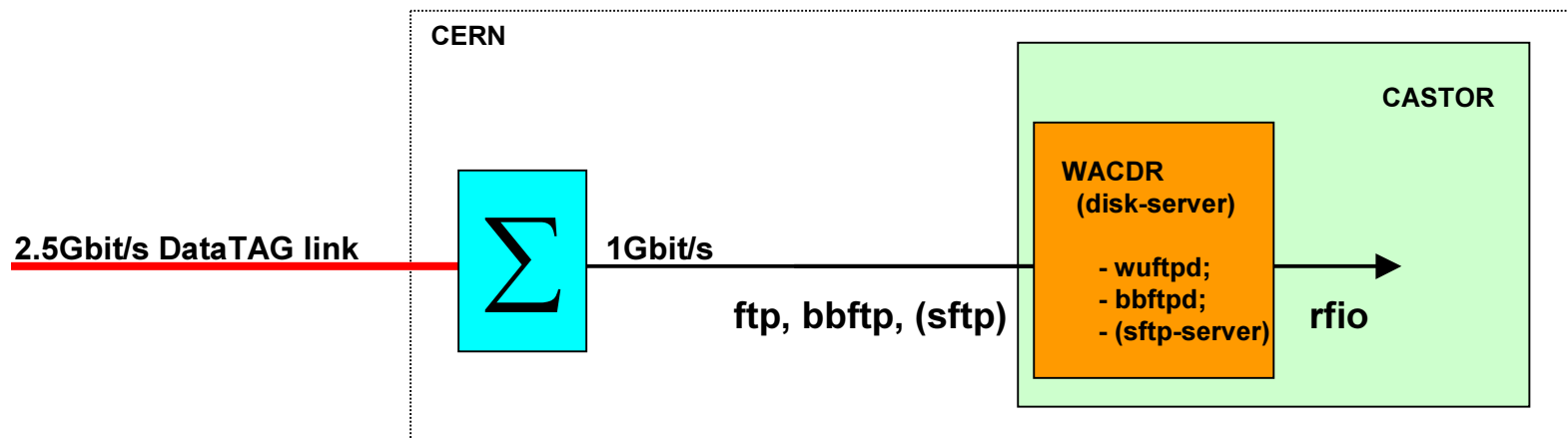


CASTOR and outside world



◆ Current CASTOR connection to the outside world:

- ftp
- bbftp
- sftp (from mid. September)





GridFTP plans



- ◆ **GridFTP access to CASTOR via “wacdr”**
 - GSI authentication in wacdr

- ◆ **Make GT2GridFTP server CASTOR-compliant**
 - GT2GridFTP core is wuftp-2.6.1 (CASTOR-compliant)
 - Not clear yet if all GridFTP extensions to vanilla FTP will be supported

- ◆ **Delivery time -- mid-October**



Restrictions & known problems



◆ Restrictions :

- Users without CERN-account can access CASTOR only via pool-accounts.
- No CASTOR-to-CASTOR copy via GridFTP

◆ Problems:

- Connection timeout for not-staged file
 - Staging time can reach up to 2hrs.
 - No instrumentation in GridFTP/Ftp protocol to prevent this timeout



GSI-CASTOR code



- ◆ **GSI-CASTOR version-2 (April 2002)**
 - Not tested with CASTOR yet and therefore not in production
 - Based on CASTOR-1.3.4.6
 - meanwhile -- changes in CASTOR

- ◆ **To do:**
 - Make it CASTOR-1.5 compliant
 - Test & put into production
 - Not before Christmas