



Status of monitoring subtask

Sylvain Chapeland
Karim Chouikh
David Front
Jan van Eldik

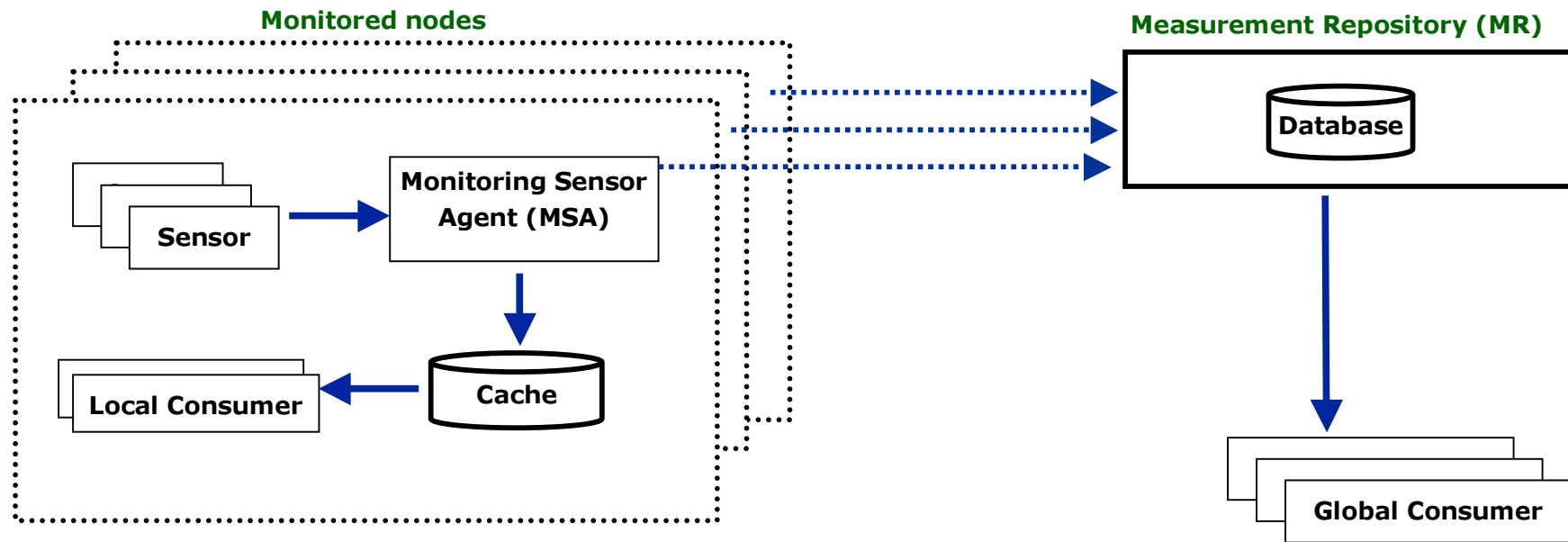
WP4 workshop

Barcelona project conference 5/03

Jan van Eldik CERN IT/FIO



The architecture





MSA enhancements

- ◆ TCP transport to MR delivered
TBD: dynamic proxy configuration, secure the transport
- ◆ Configure multiple servers, per metric granularity
- ◆ Wall-clock scheduling, configuration file reload, log file handling, cache cleaning
- ◆ TBD: Sample on demand, sensor response check, "data smoothing", FioSensor.pl



Measurement Repository

- ◆ Repository server delivered
 - multi-threaded, standardized SOAP layer
- ◆ C-implementation of repository API delivered
 - TBD: Perl and Java implementations
- ◆ ORACLE database backend delivered
 - Measured 4500 inserts per second (array inserts)
 - Partitioning and indices for fast read access
 - Being deployed now...
- ◆ TBD: Database survey, Open Source database (MySql)



Alarm Display

- ◆ AlarmBroker running OK
- ◆ AlarmDisplay basic functionality being implemented
- ◆ Servers views: tree, table
- ◆ Next steps
 - Make it work with Oracle
 - Test with realistic configuration, and with exception metrics



Anamon

- ◆ A gift from Olof...
- ◆ Java applet generating plots of "value vs time"
- ◆ screenshots

