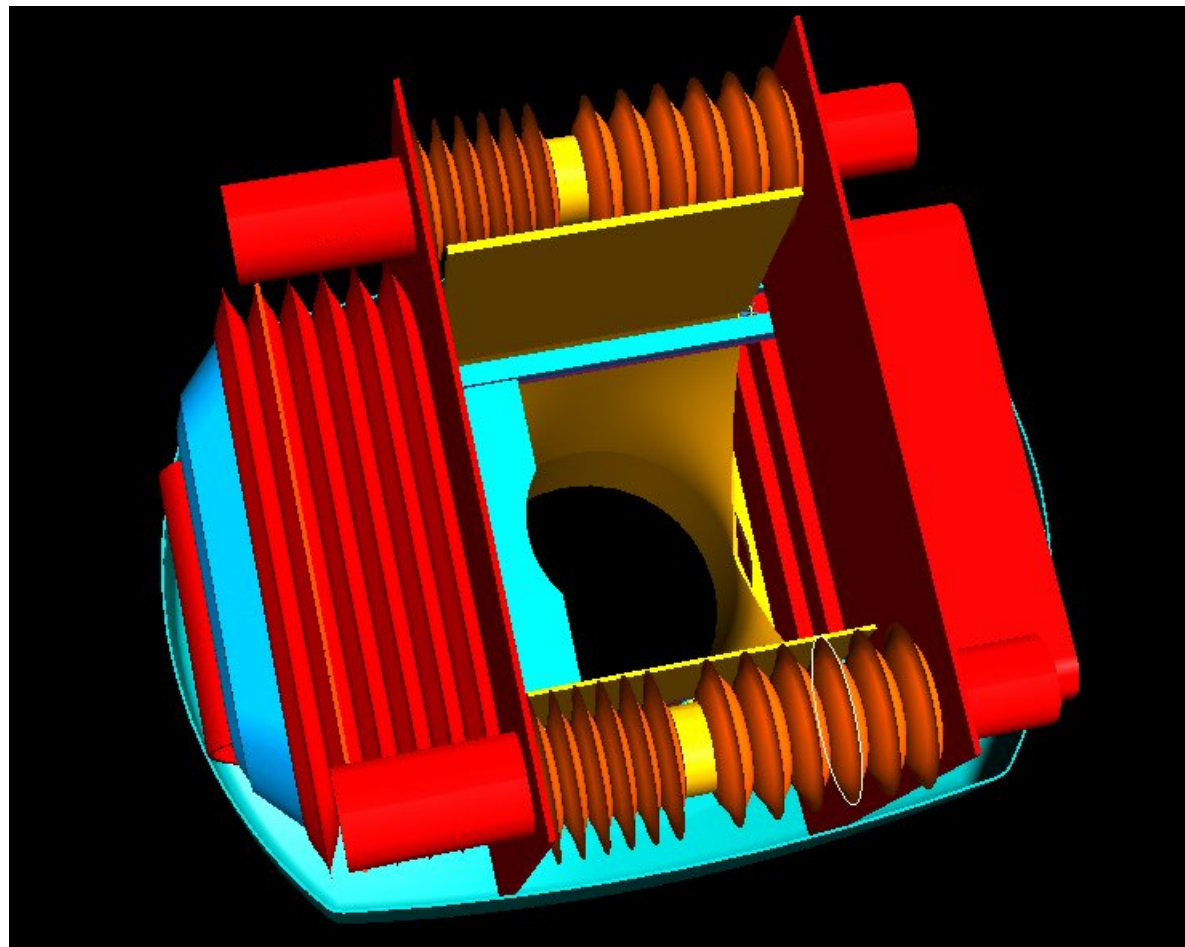
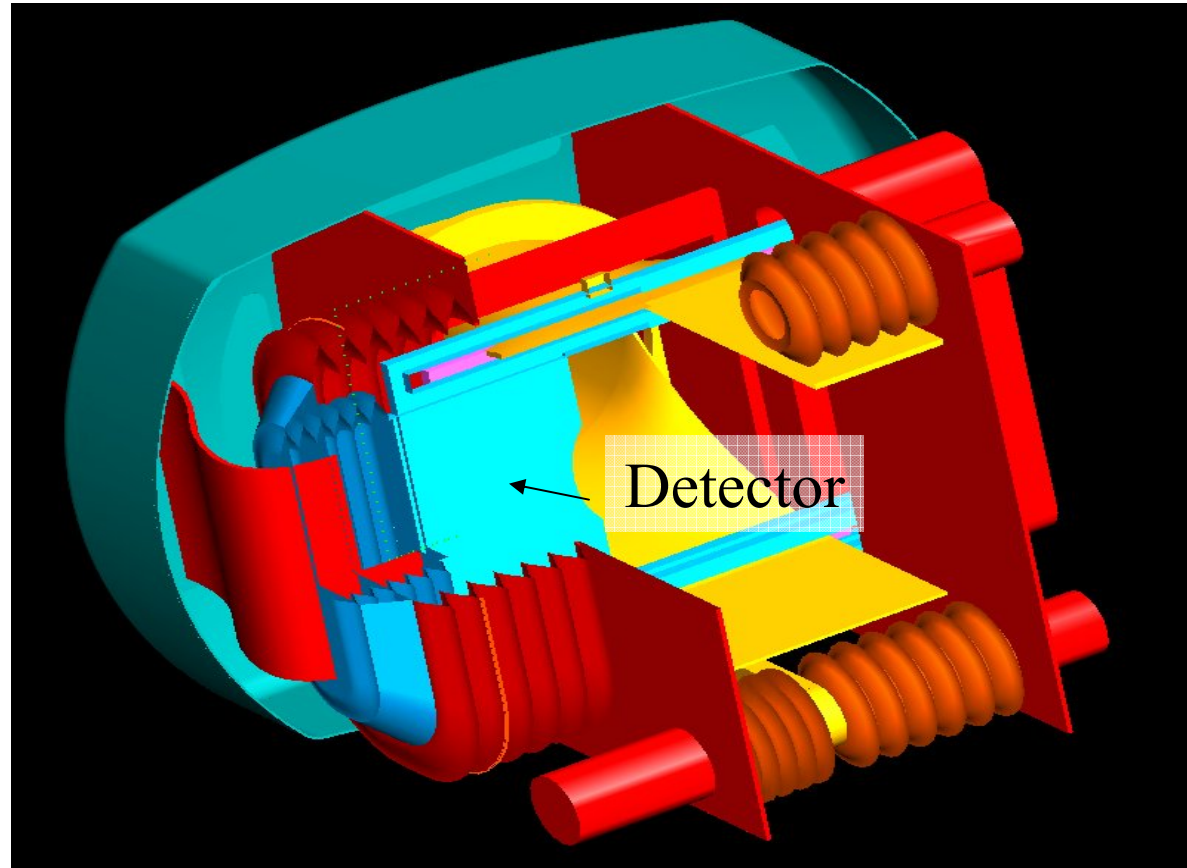


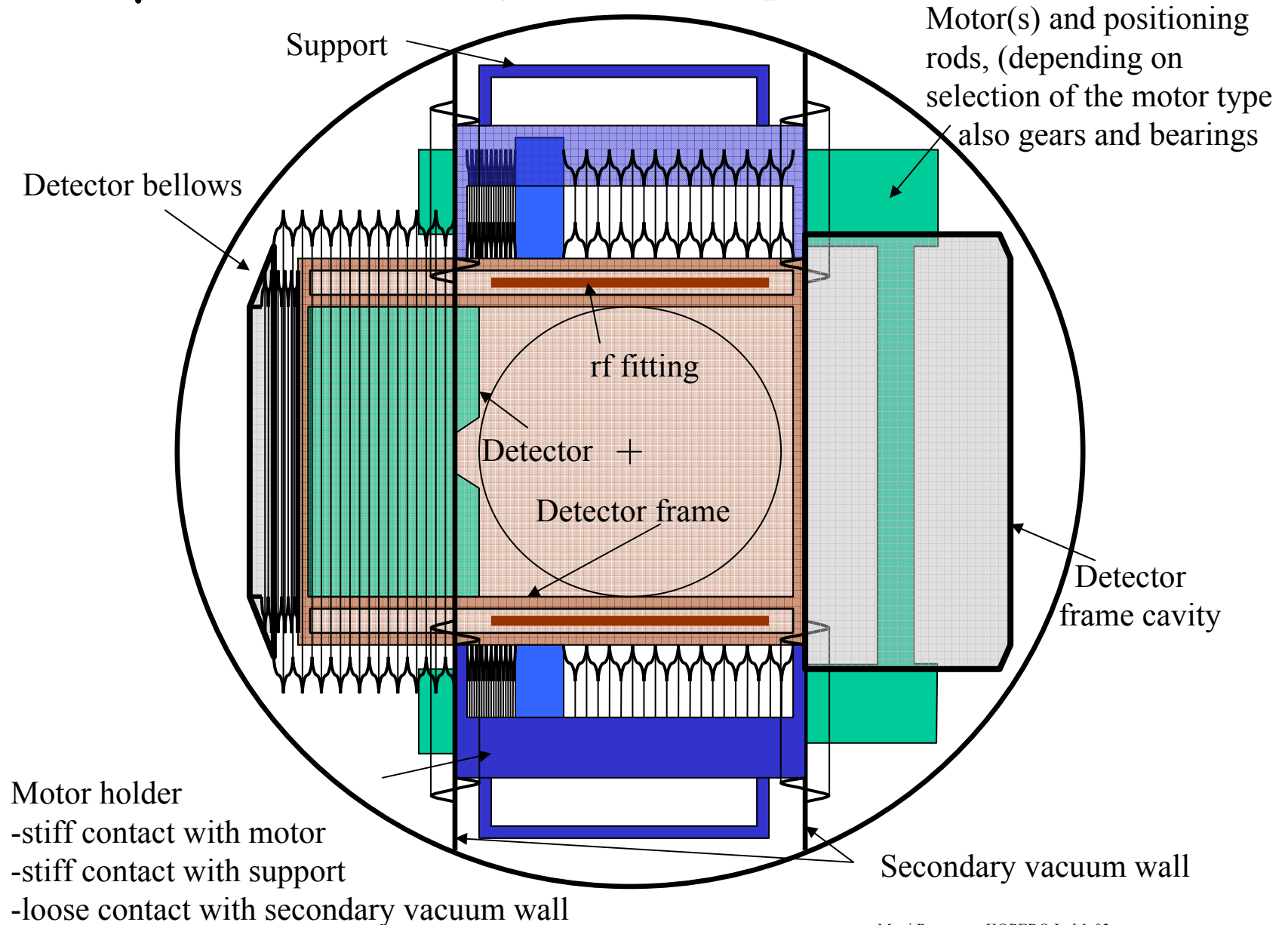
2. μ station, Secondary Vacuum Implementation



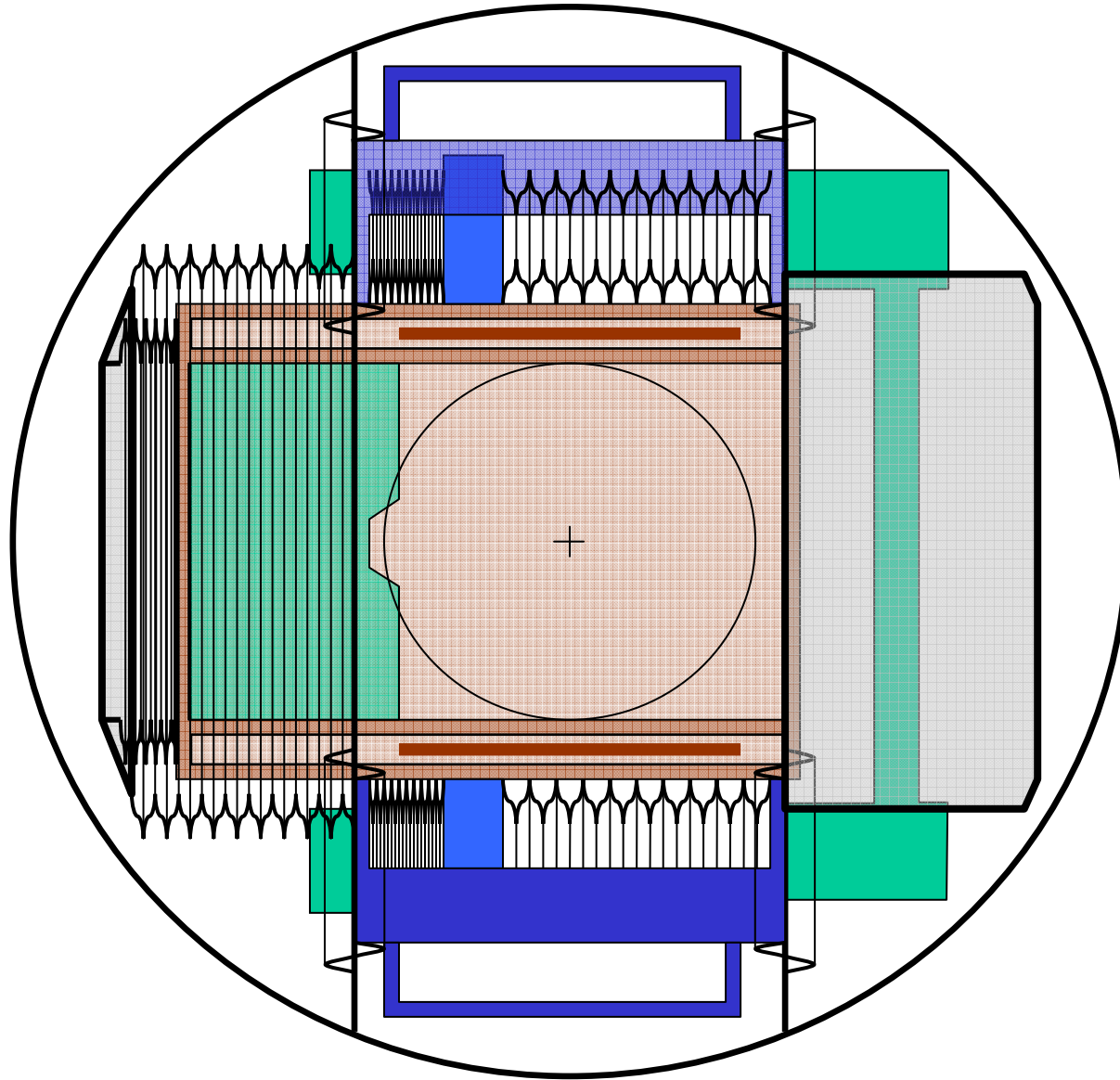
2. μ station, Secondary Vacuum Implementation



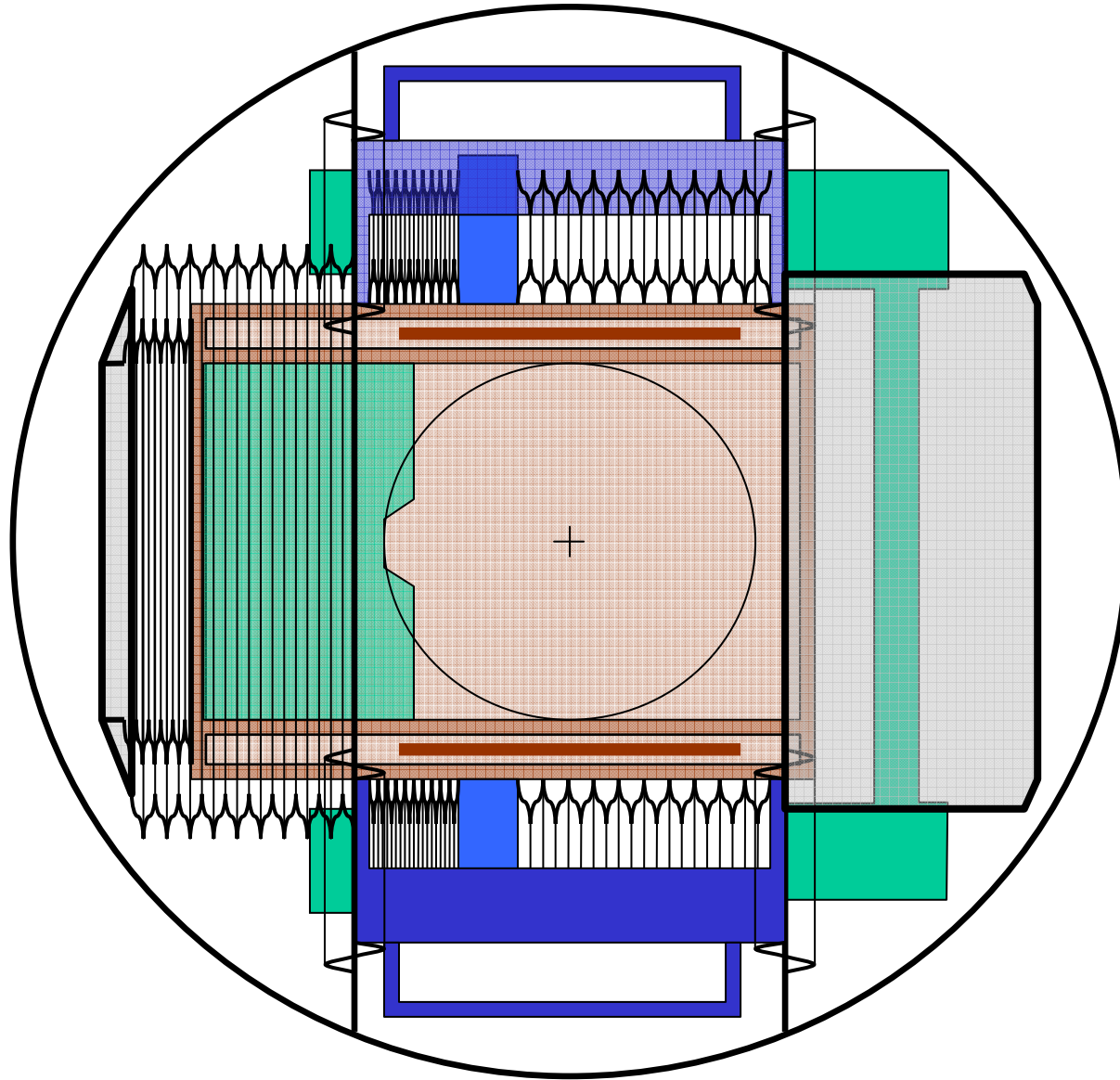
2.1. μ station, Secondary Vacuum Implementation



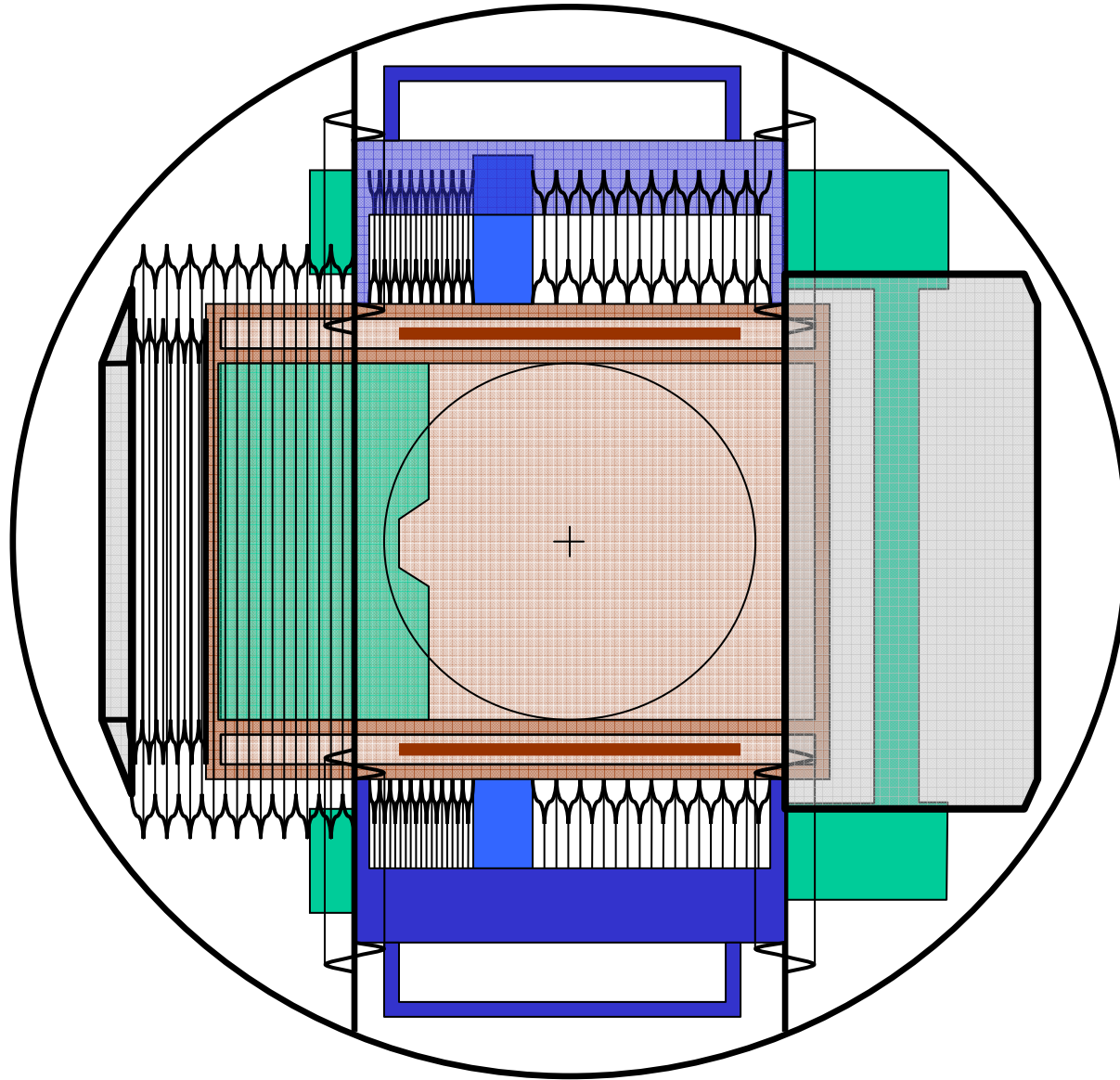
2.1. μ station, Secondary Vacuum Implementation



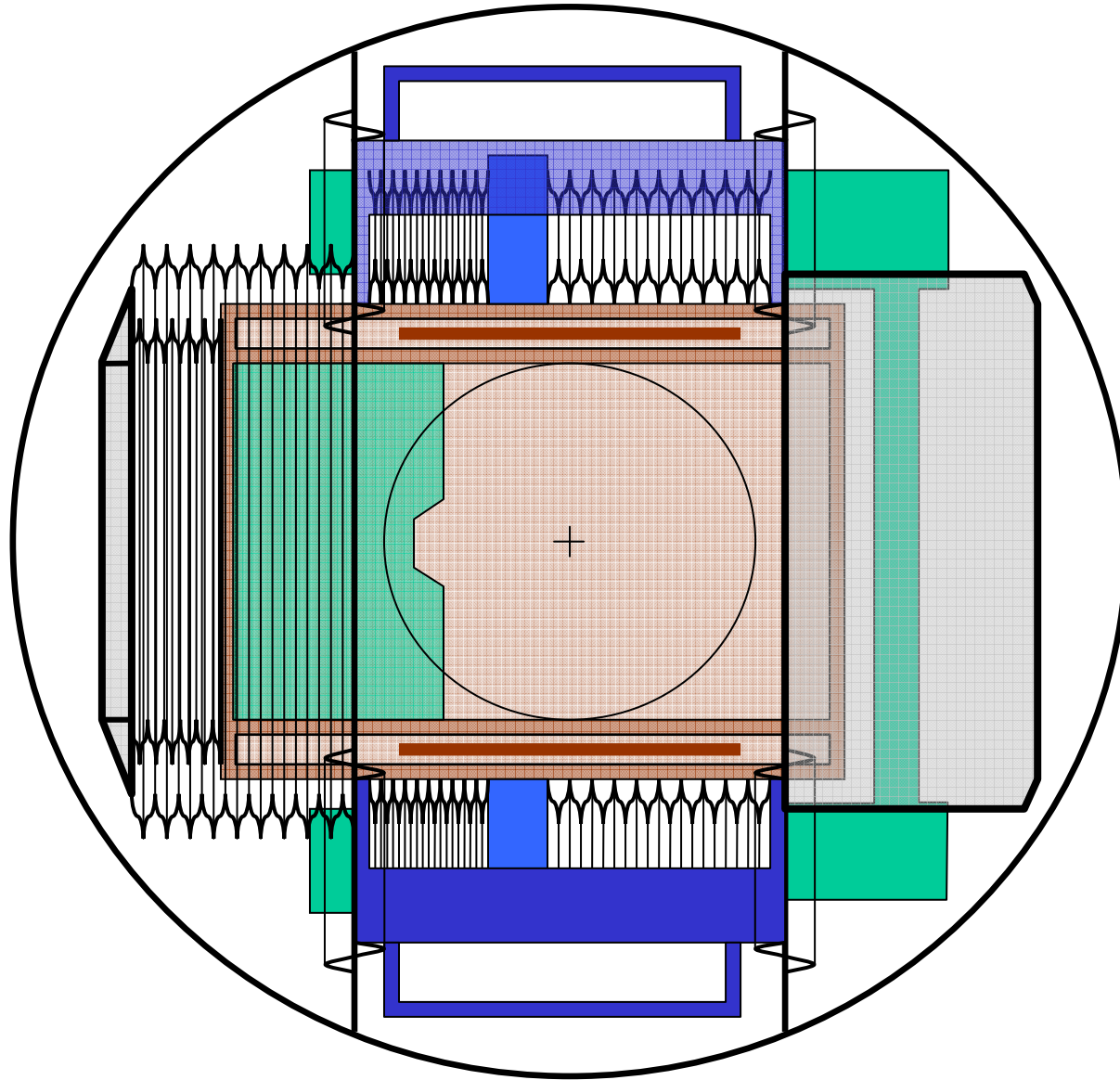
2.1. μ station, Secondary Vacuum Implementation



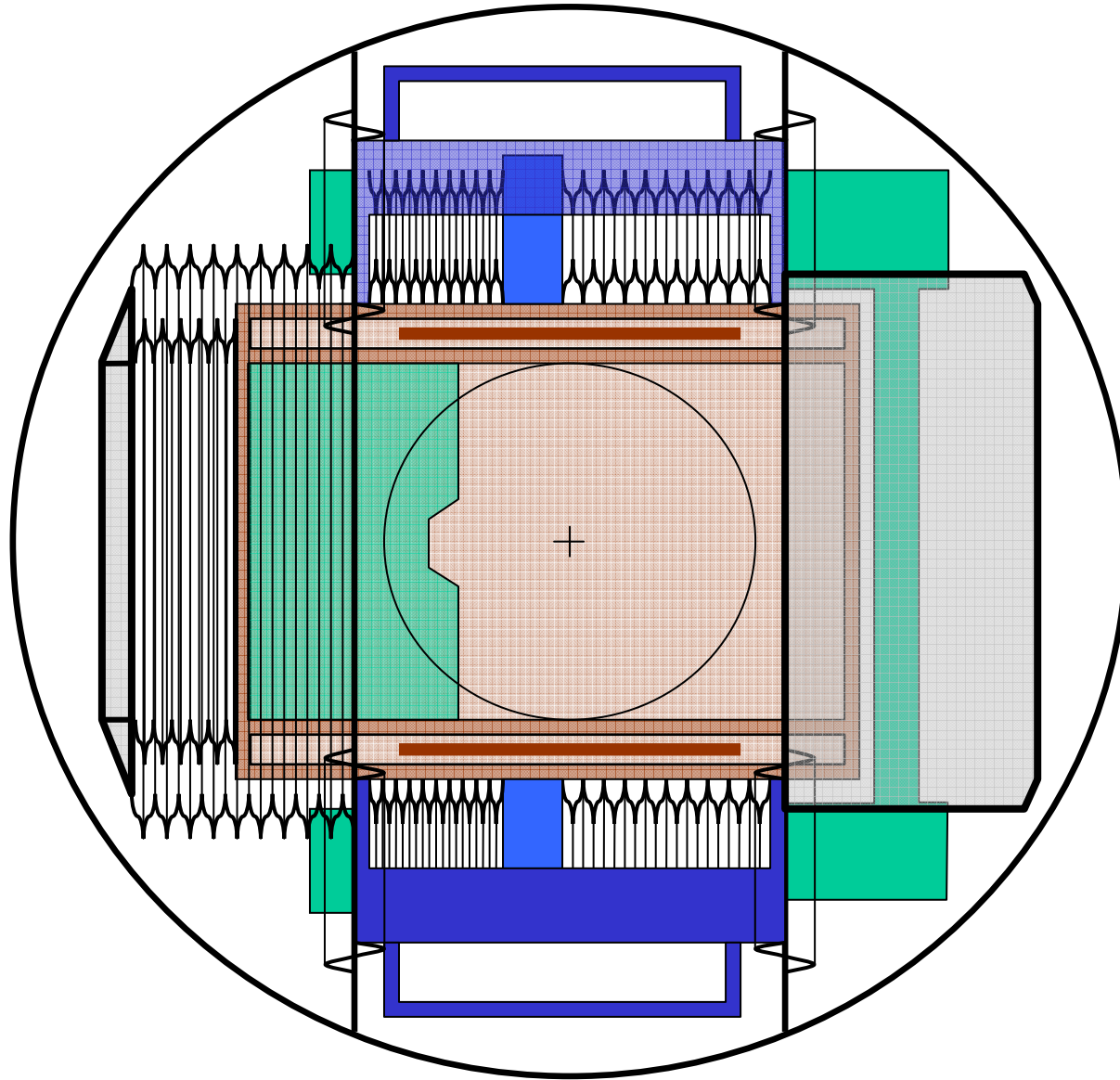
2.1. μ station, Secondary Vacuum Implementation



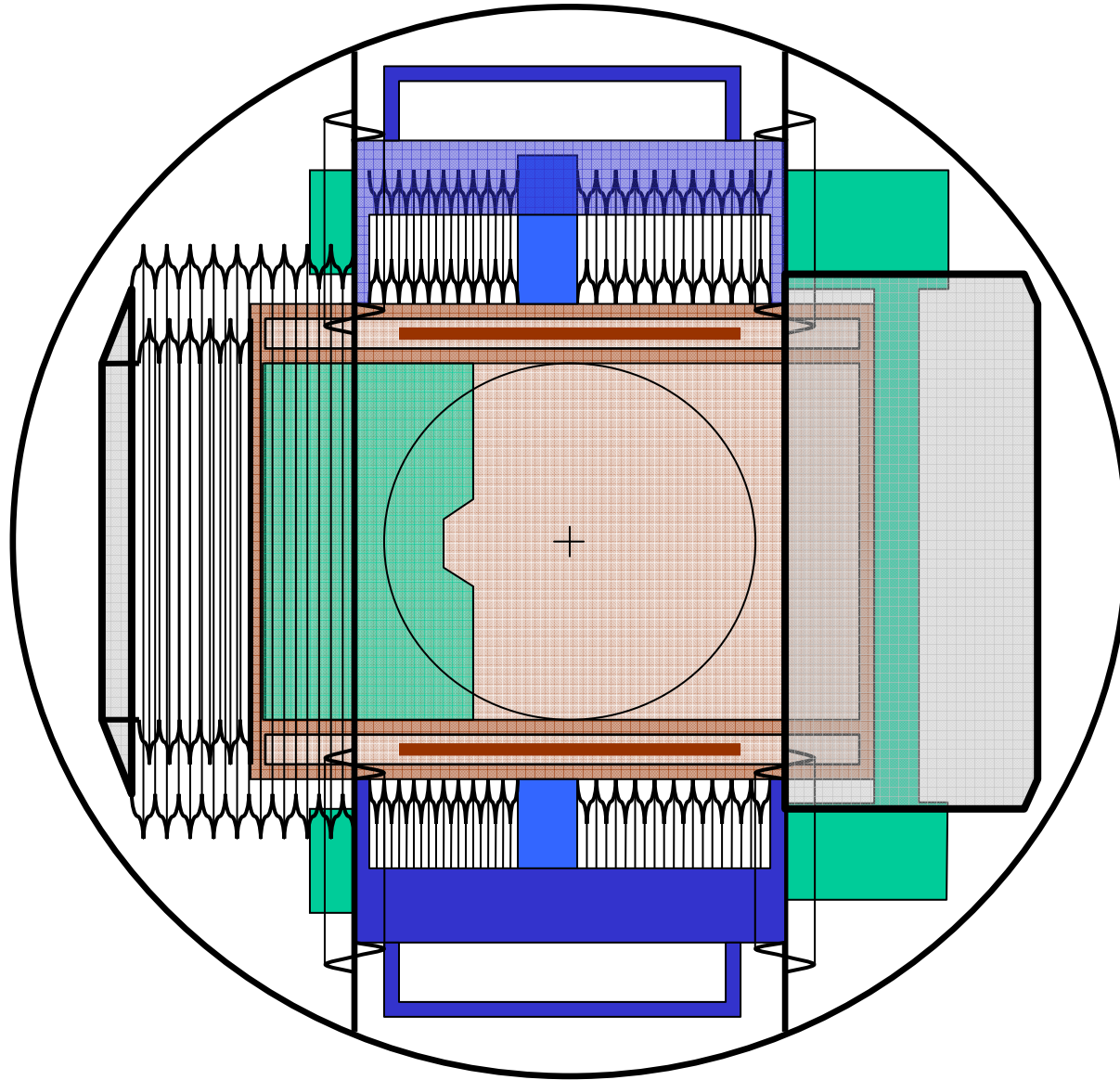
2.1. μ station, Secondary Vacuum Implementation



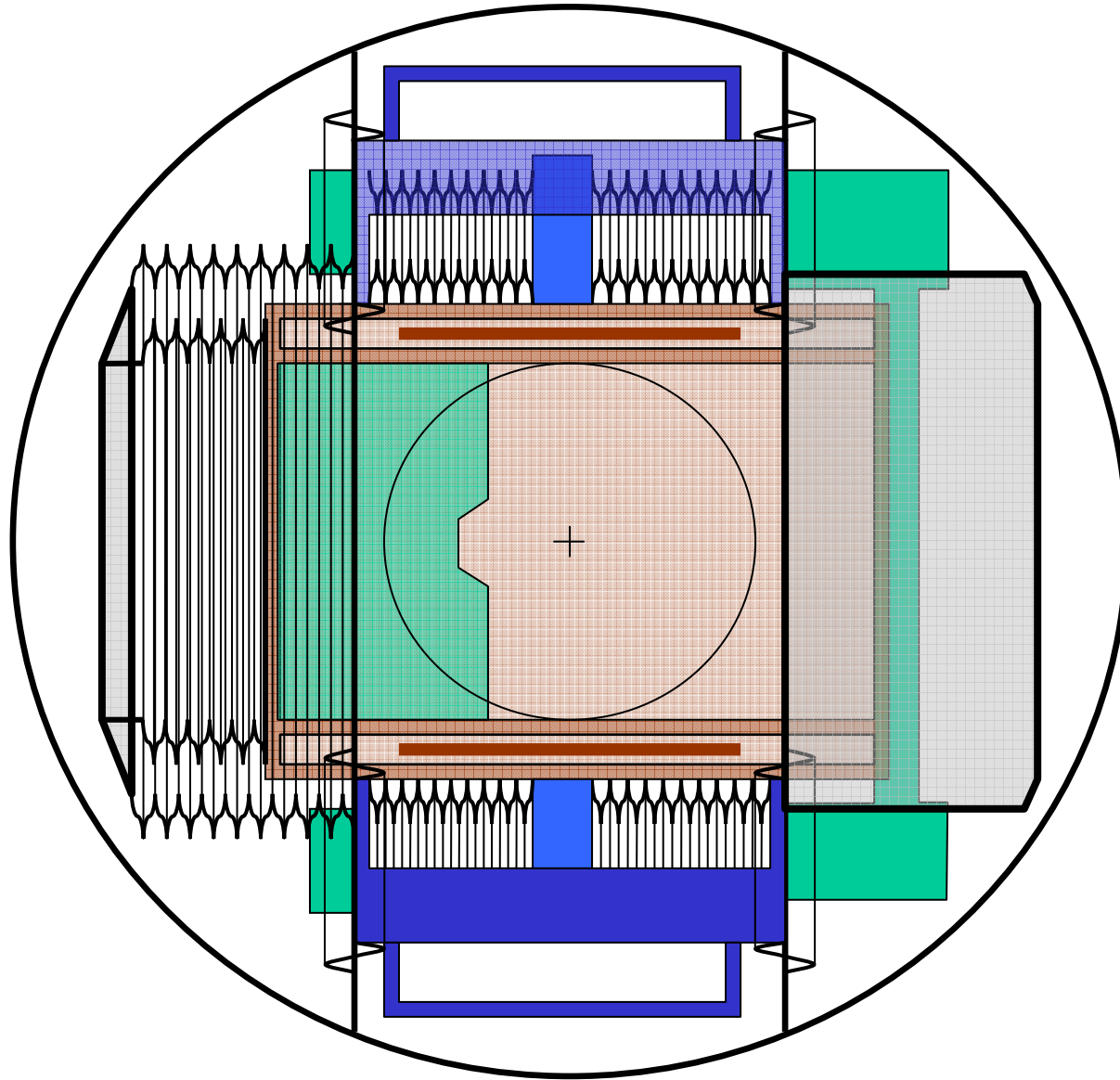
2.1. μ station, Secondary Vacuum Implementation



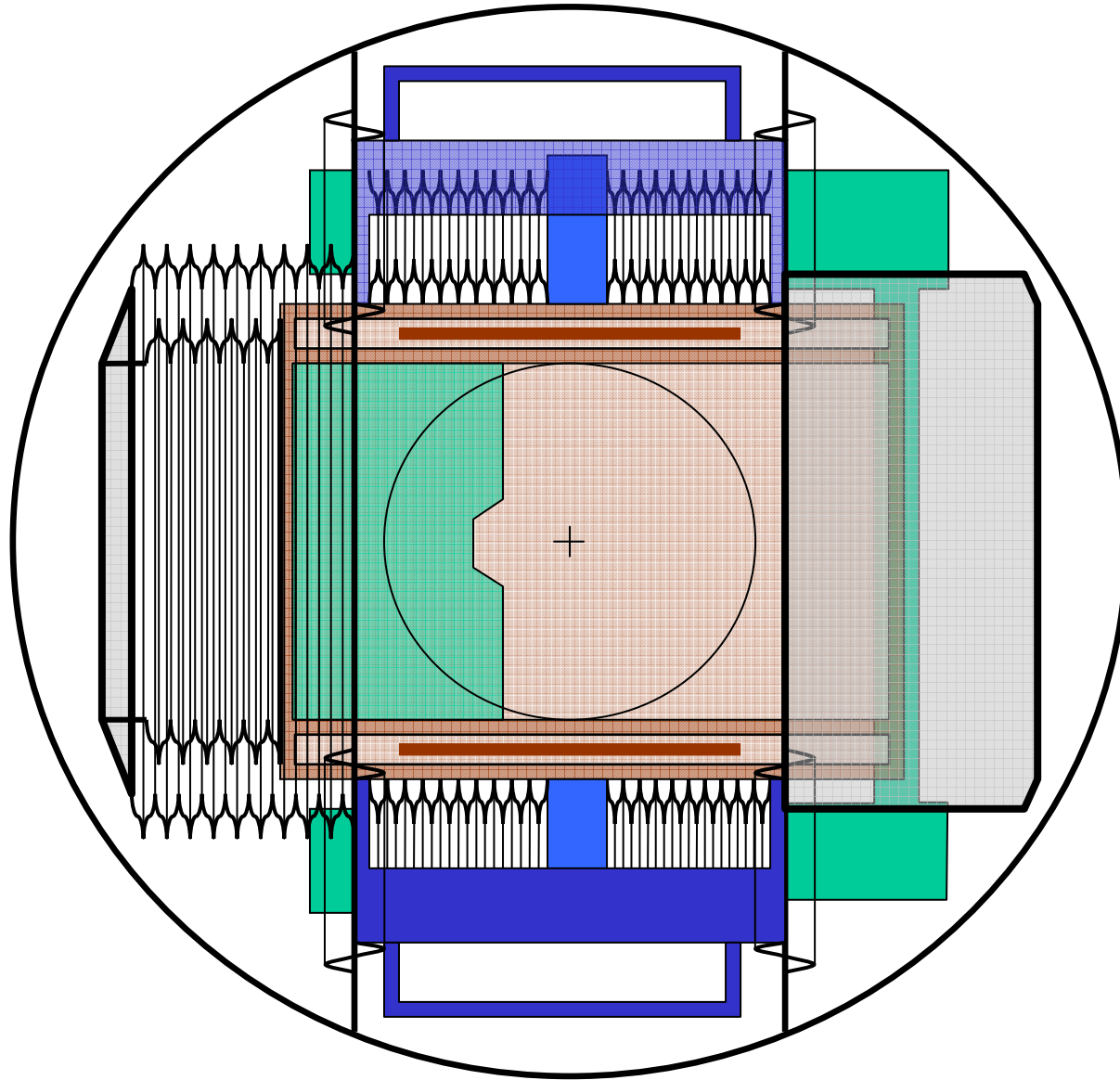
2.1. μ station, Secondary Vacuum Implementation



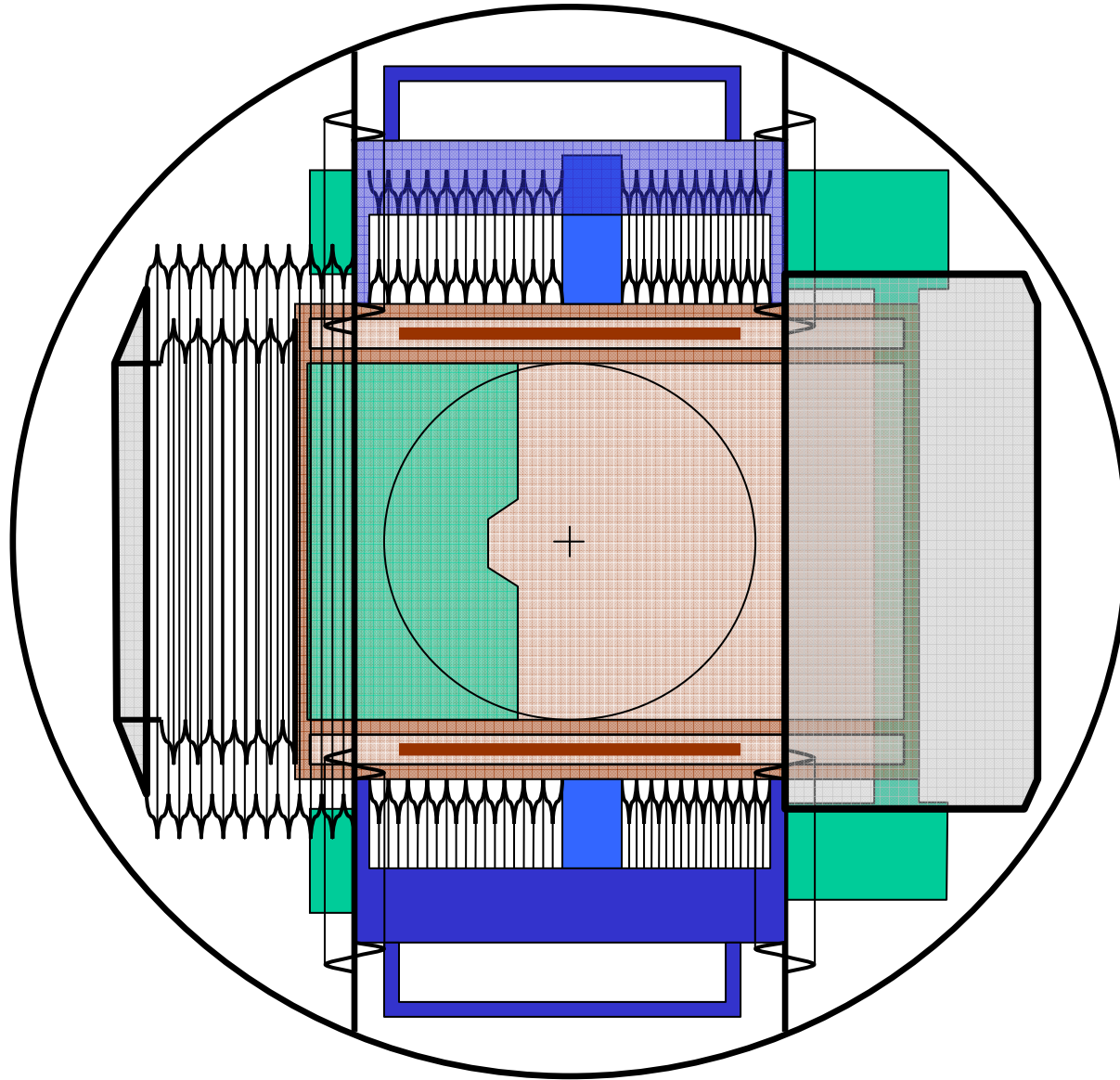
2.1. μ station, Secondary Vacuum Implementation



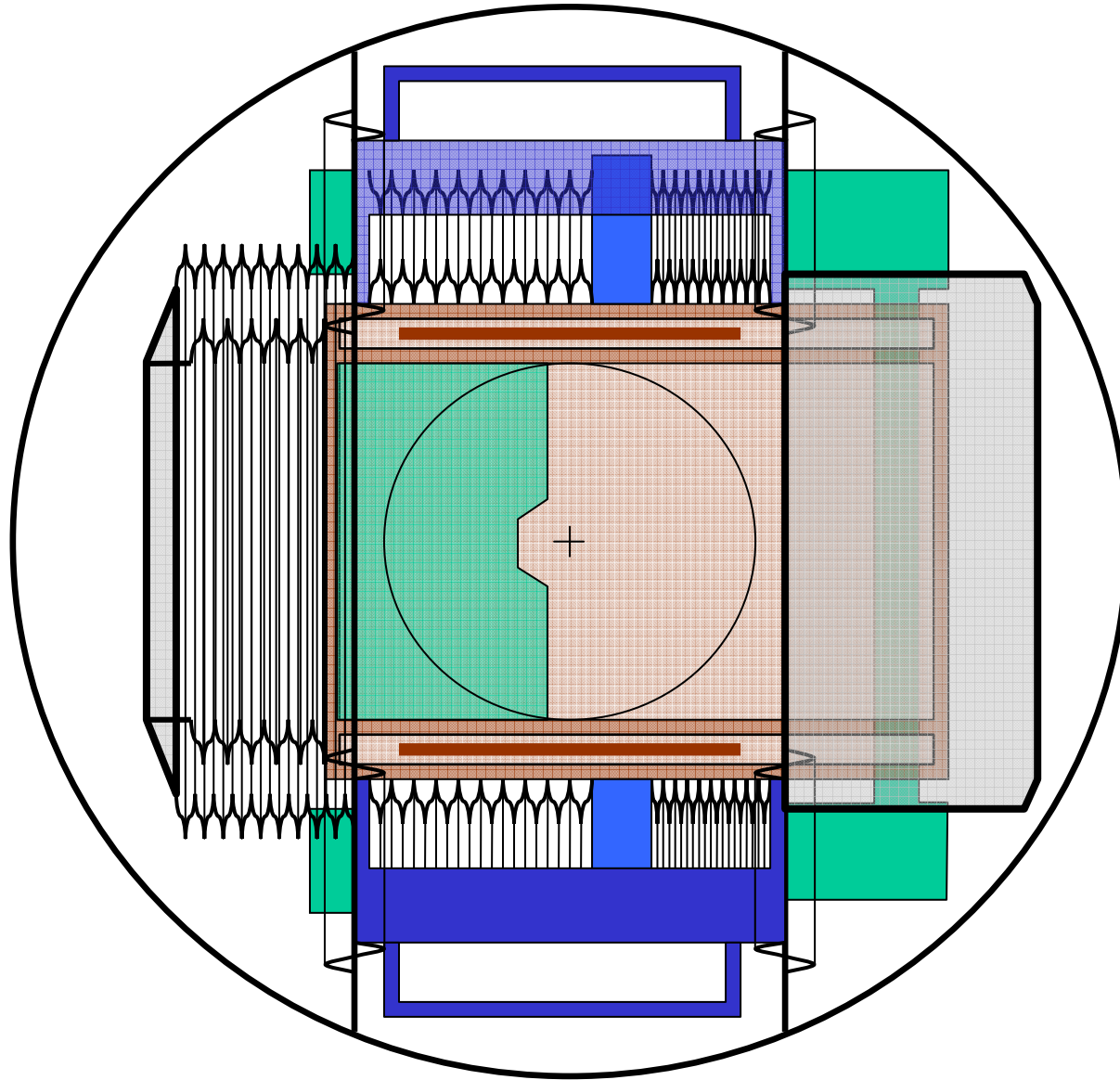
2.1. μ station, Secondary Vacuum Implementation



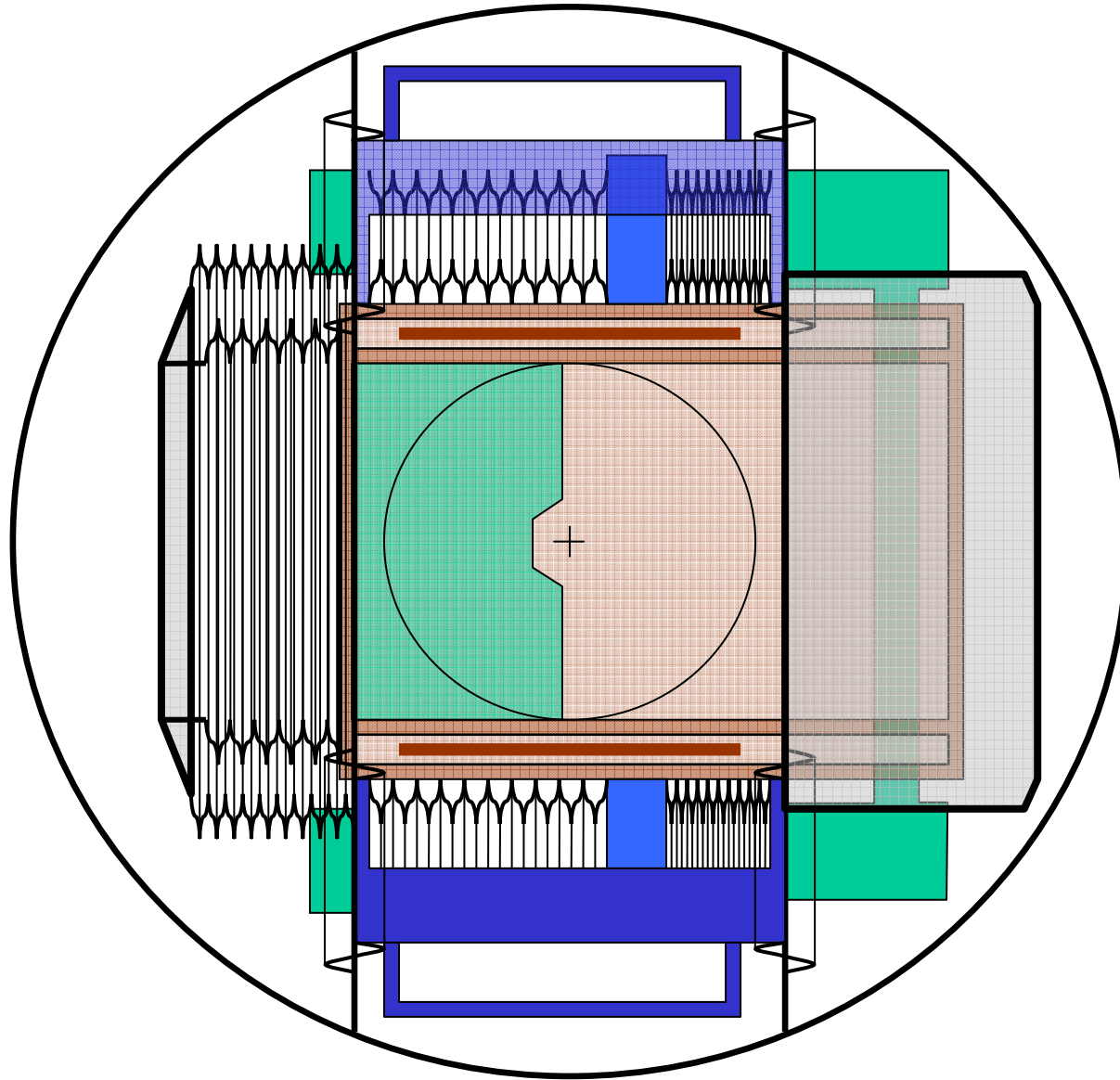
2.1. μ station, Secondary Vacuum Implementation



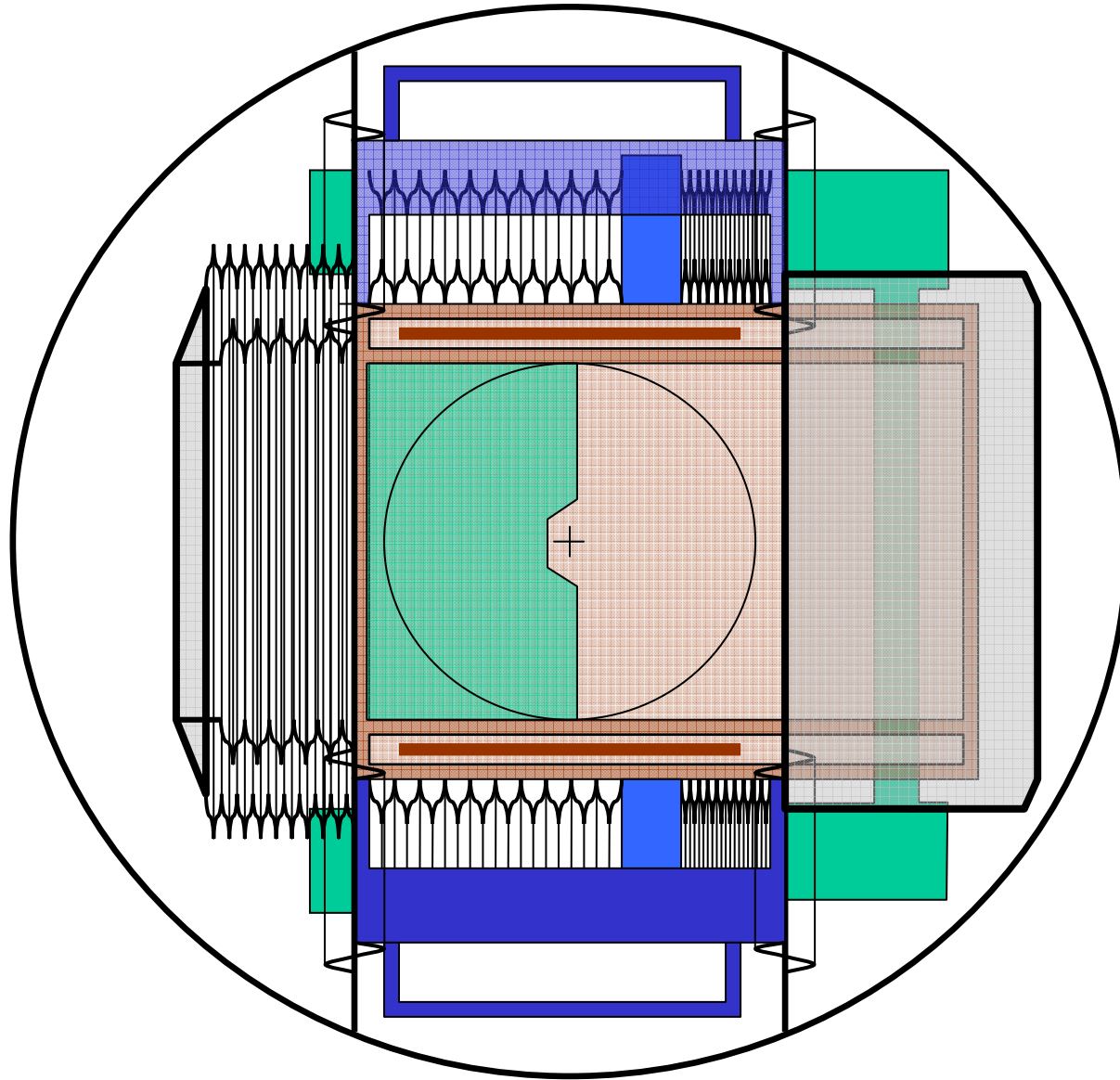
2.1. μ station, Secondary Vacuum Implementation



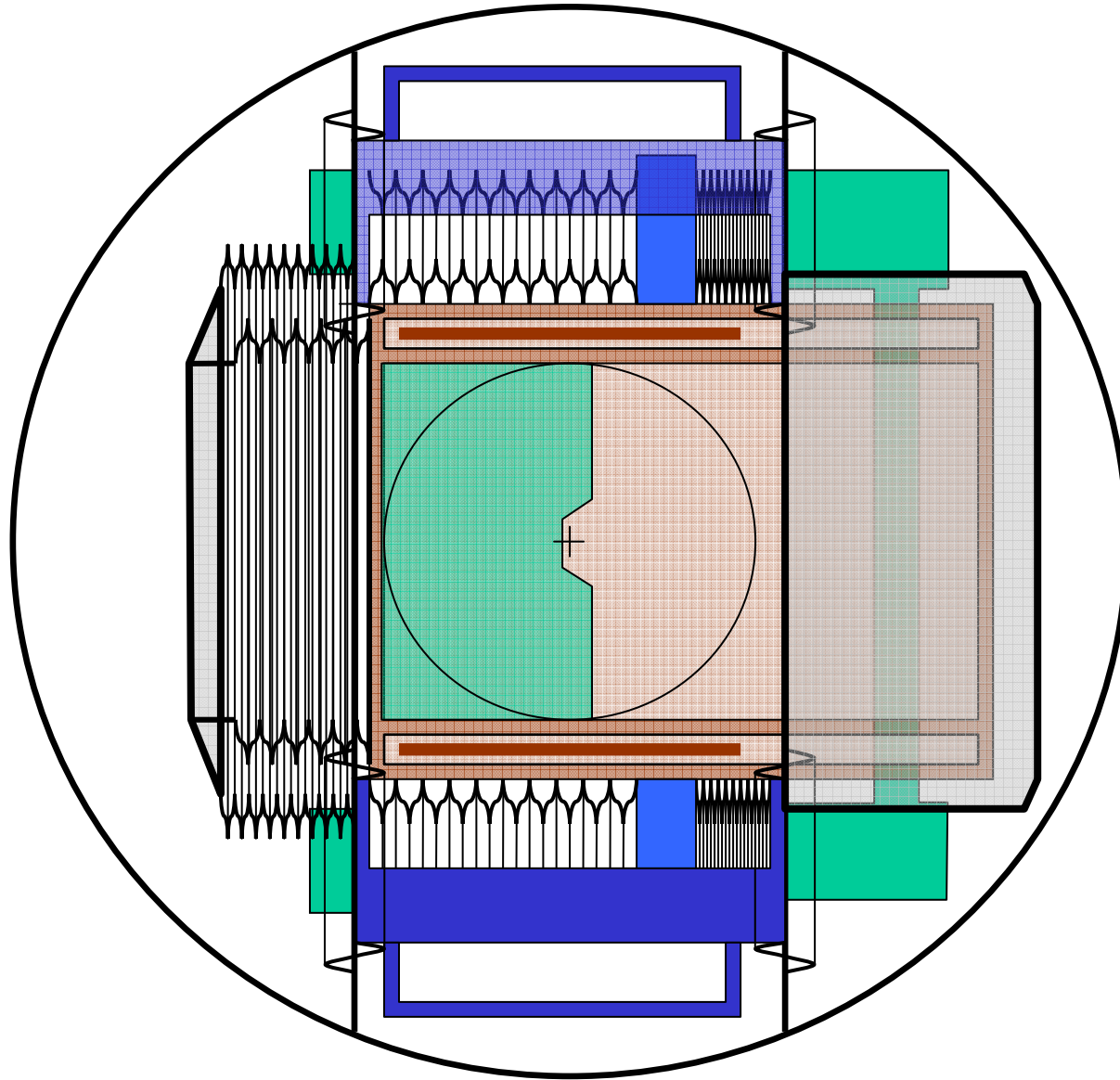
2.1. μ station, Secondary Vacuum Implementation



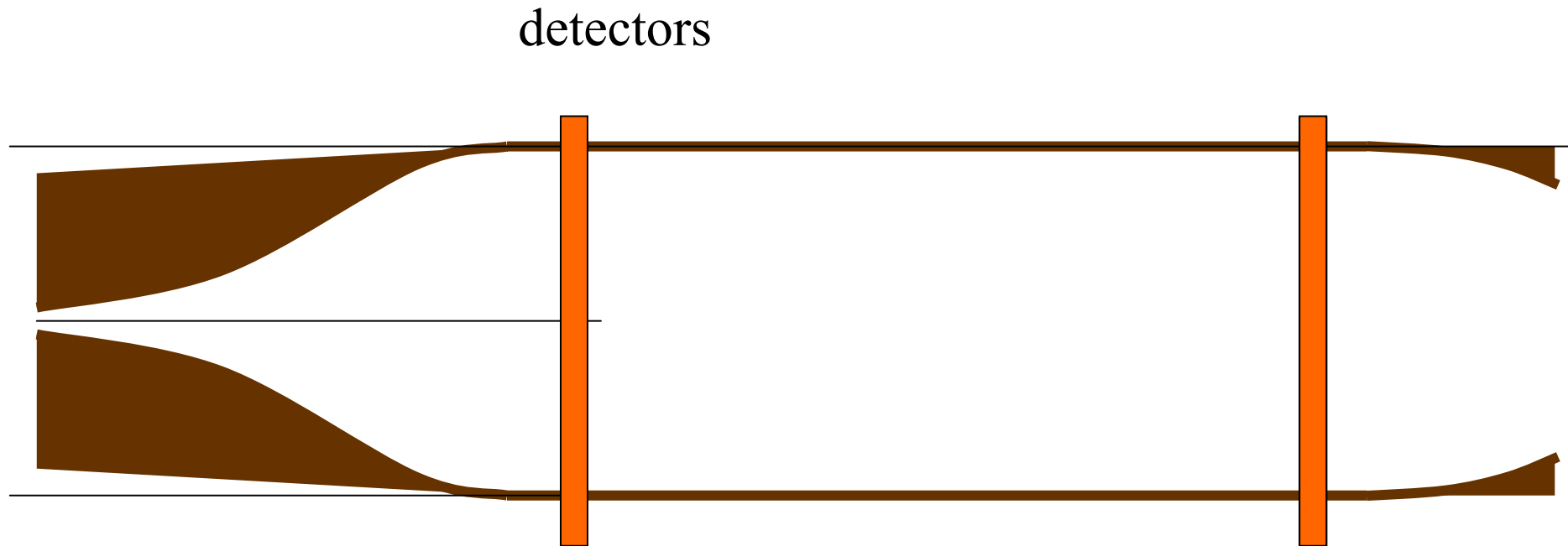
2.1. μ station, Secondary Vacuum Implementation



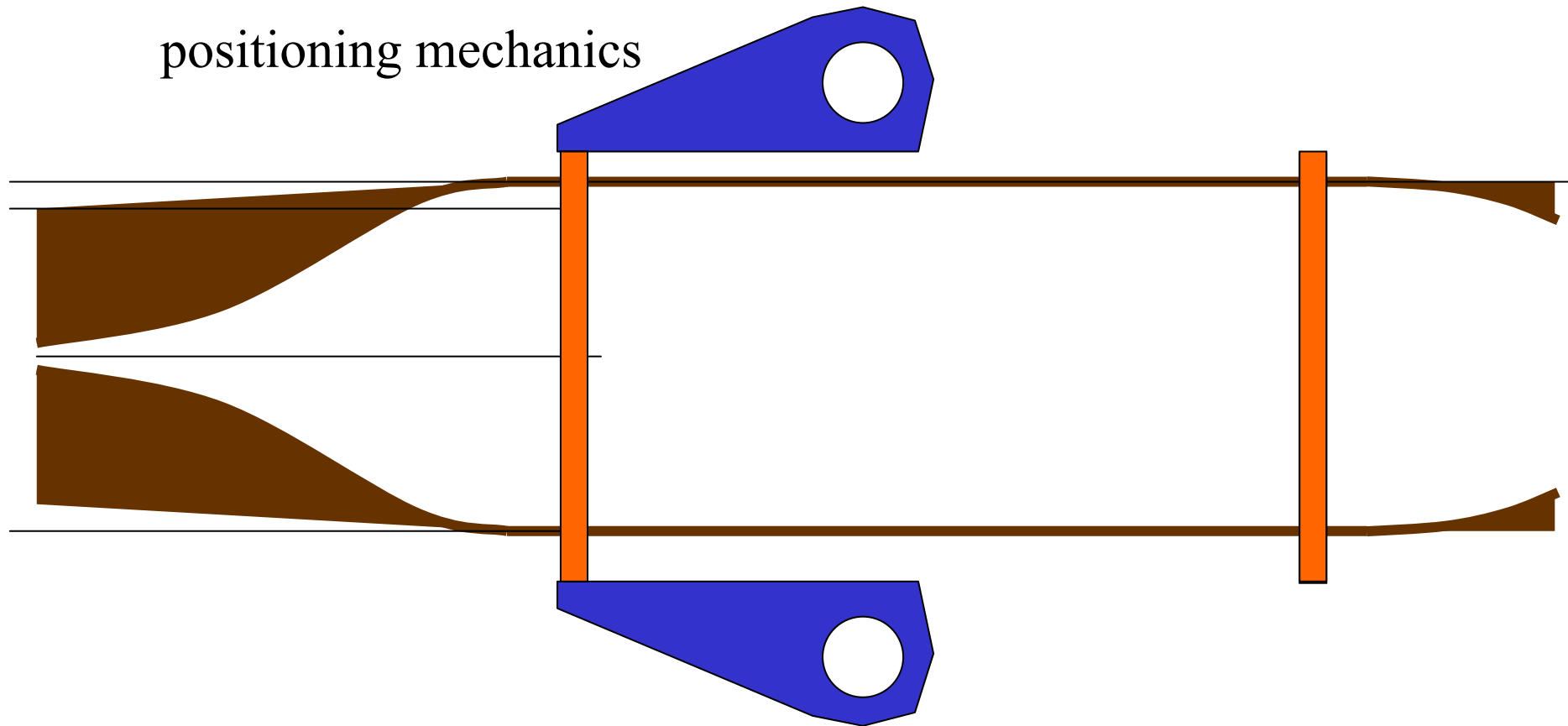
2.1. μ station, Secondary Vacuum Implementation



2.1. μ station, Secondary Vacuum Implementation

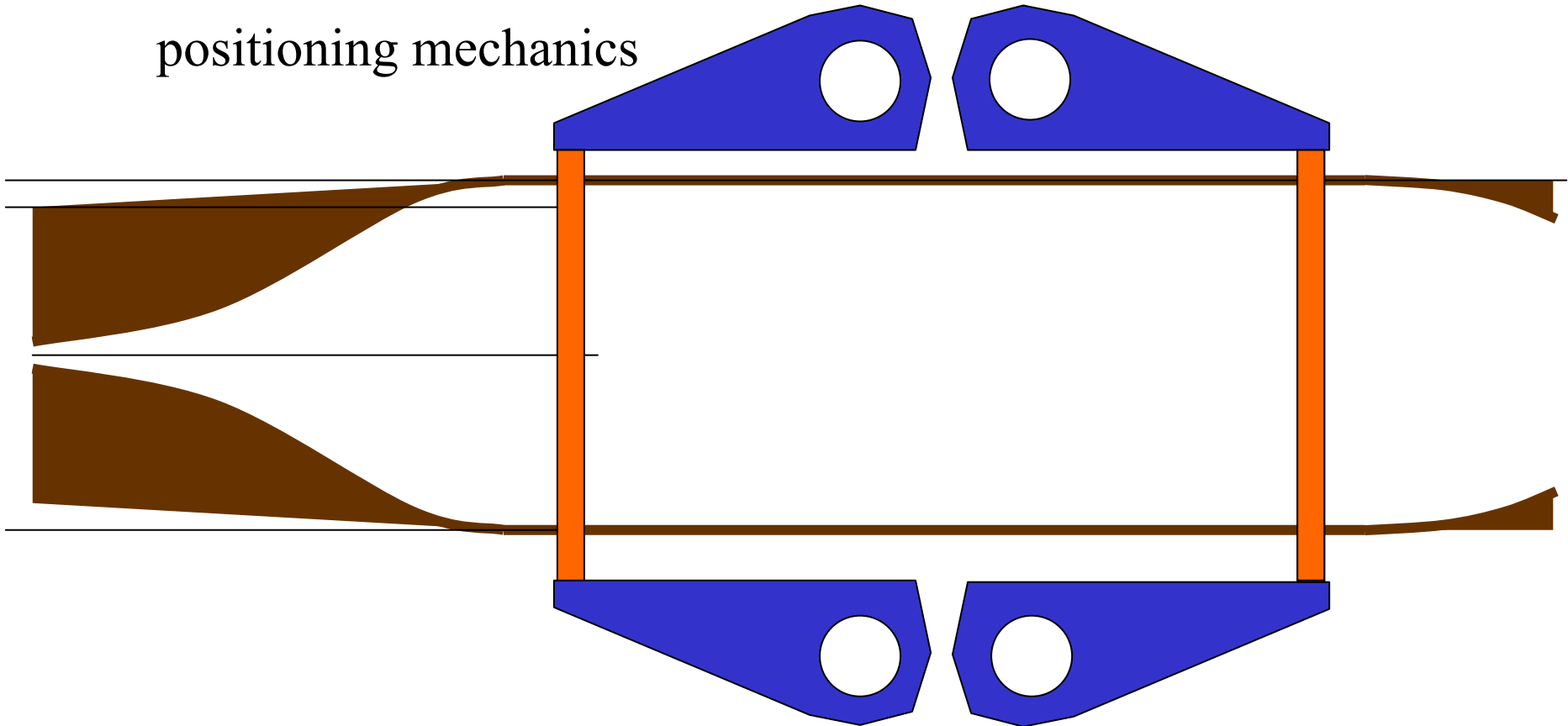


2.1. μ station, Secondary Vacuum Implementation

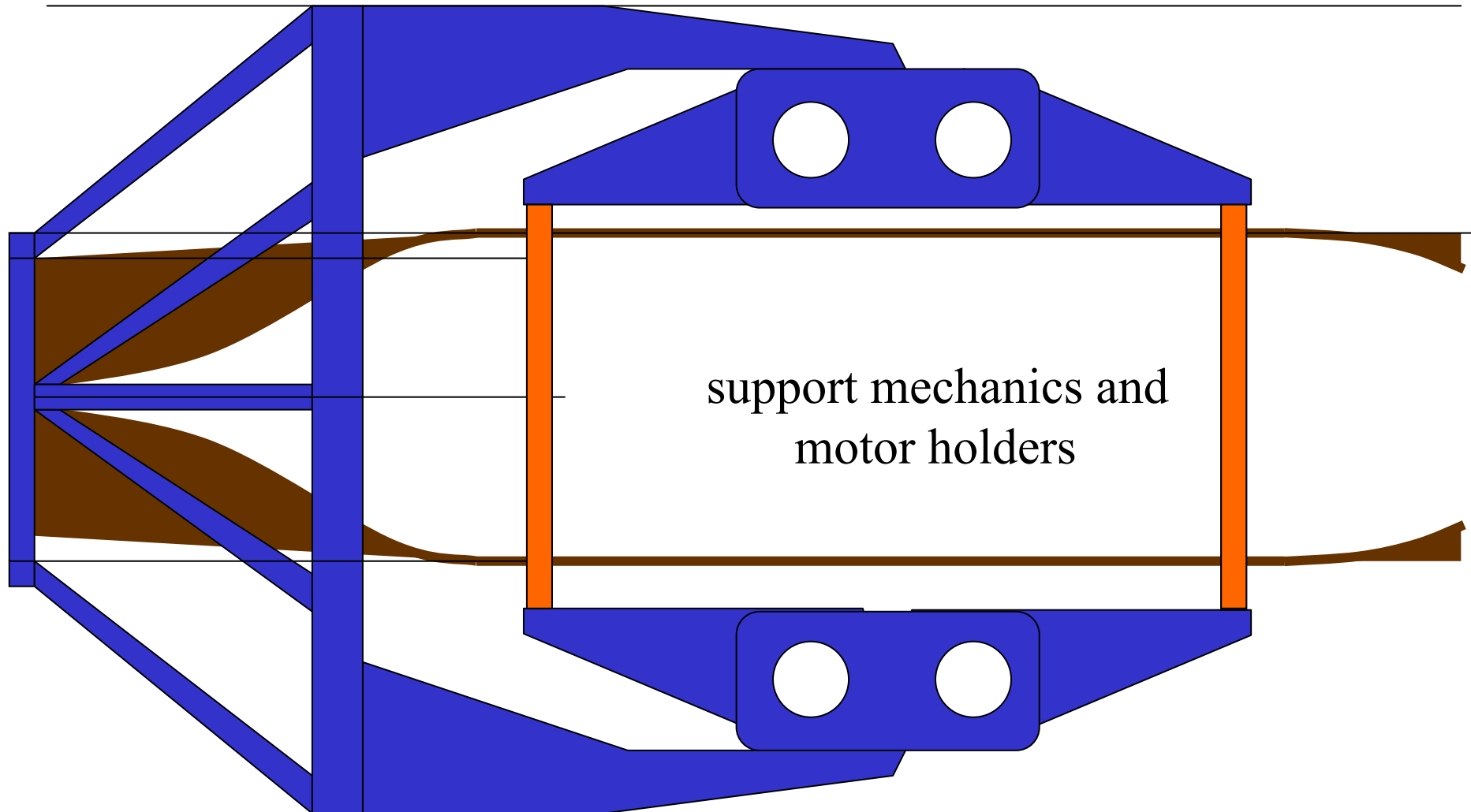


2.1. μ station, Secondary Vacuum Implementation

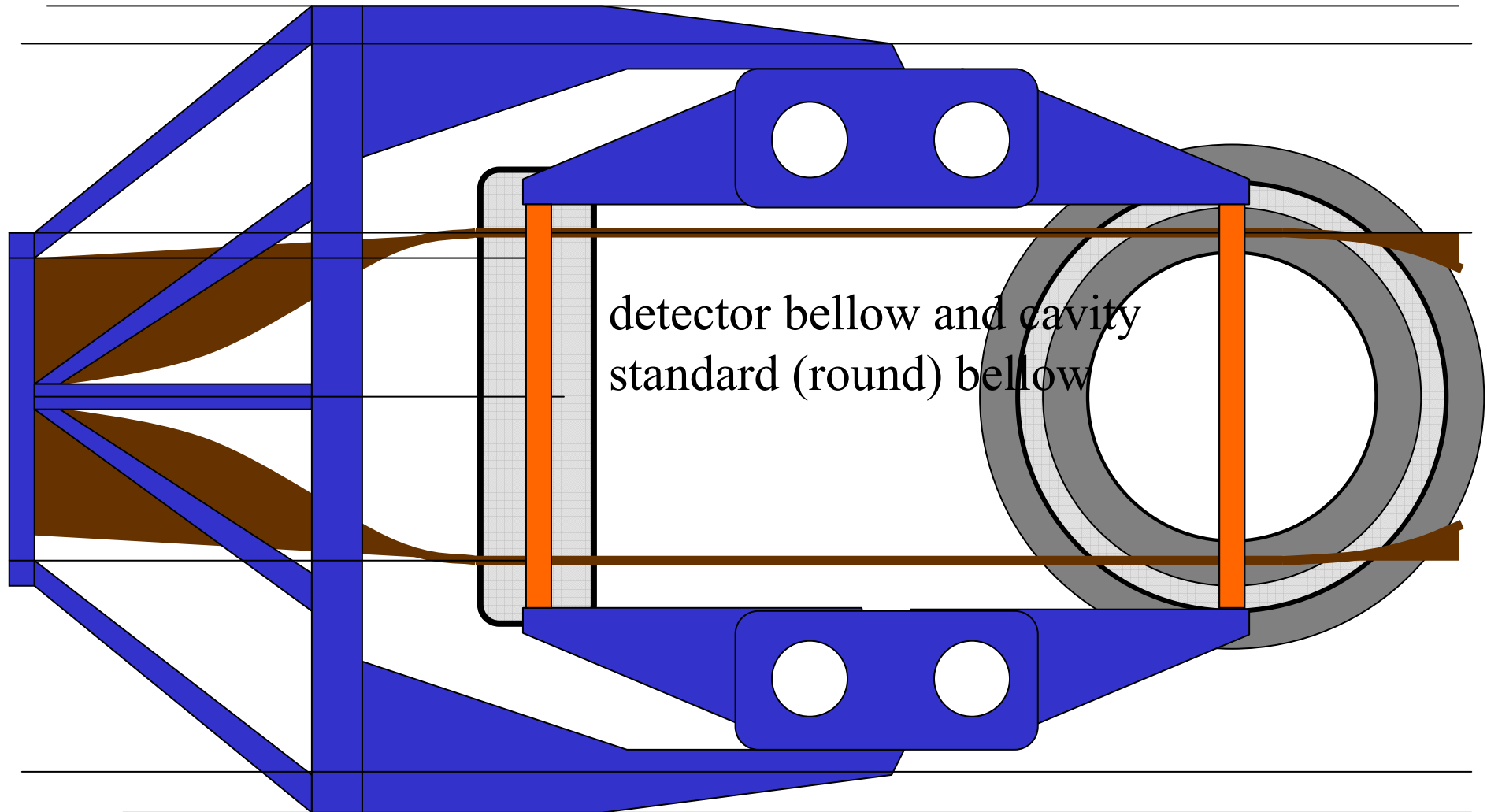
positioning mechanics



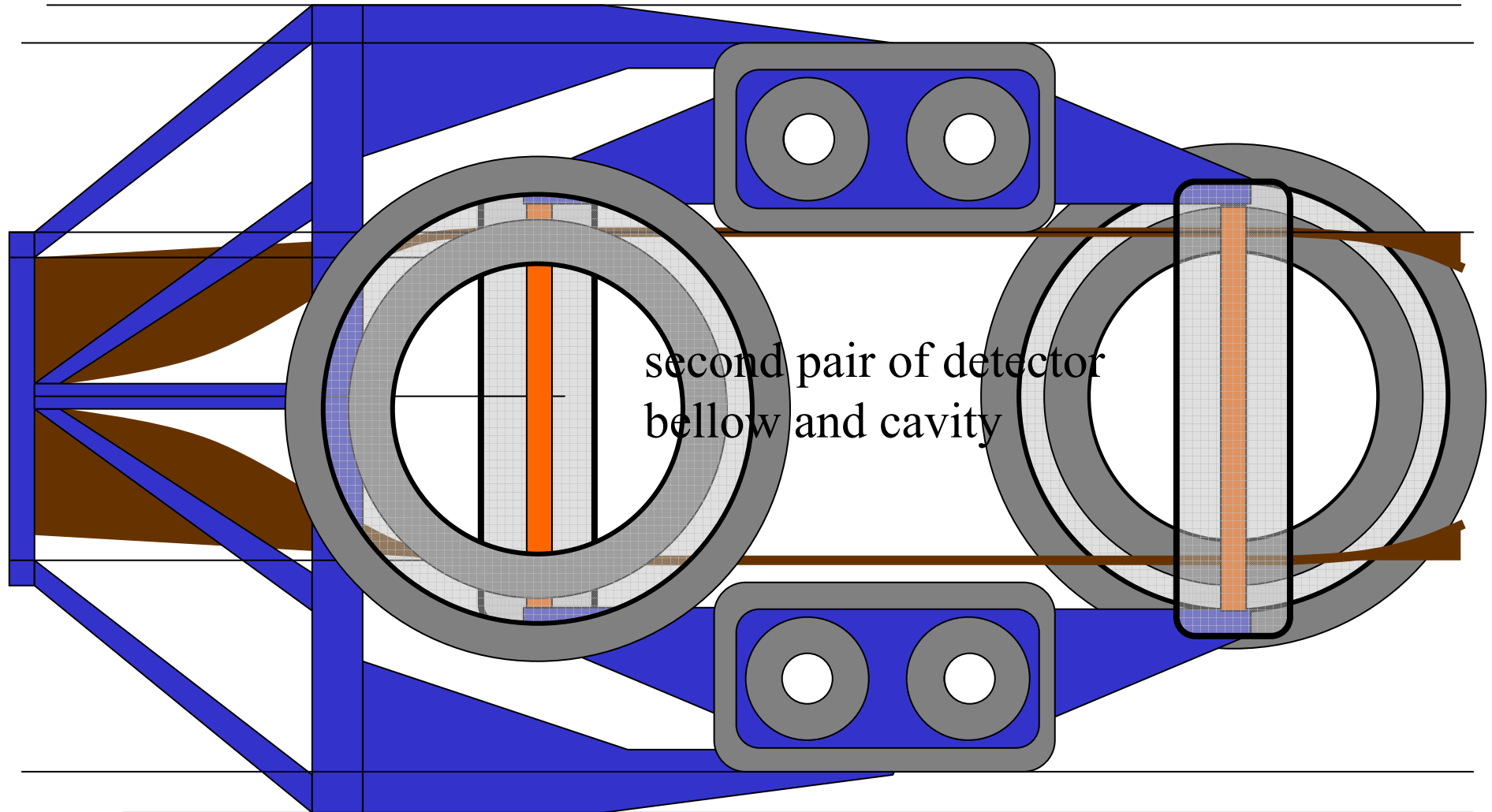
2.1. μ station, Secondary Vacuum Implementation



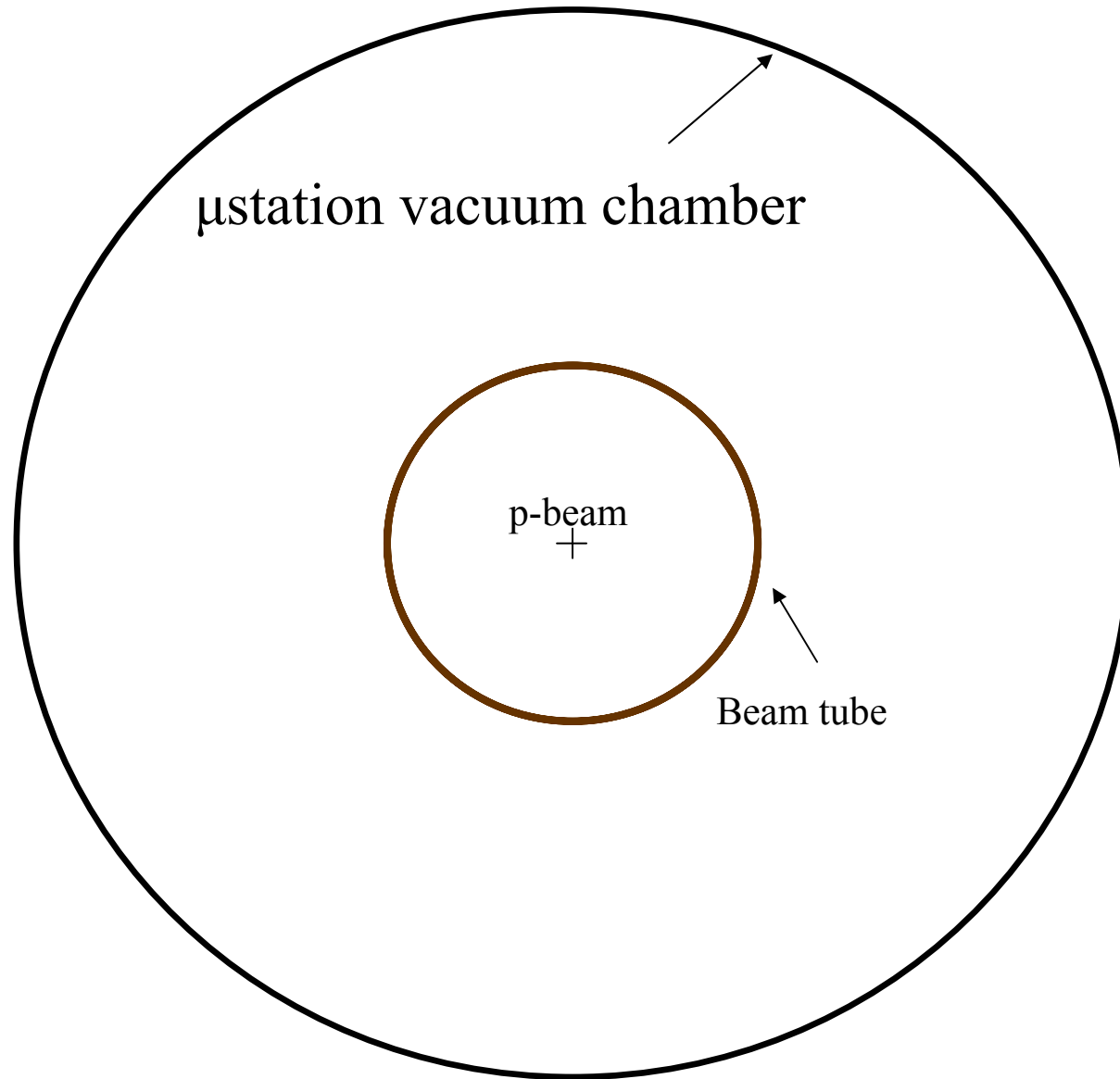
2.1. μ station, Secondary Vacuum Implementation



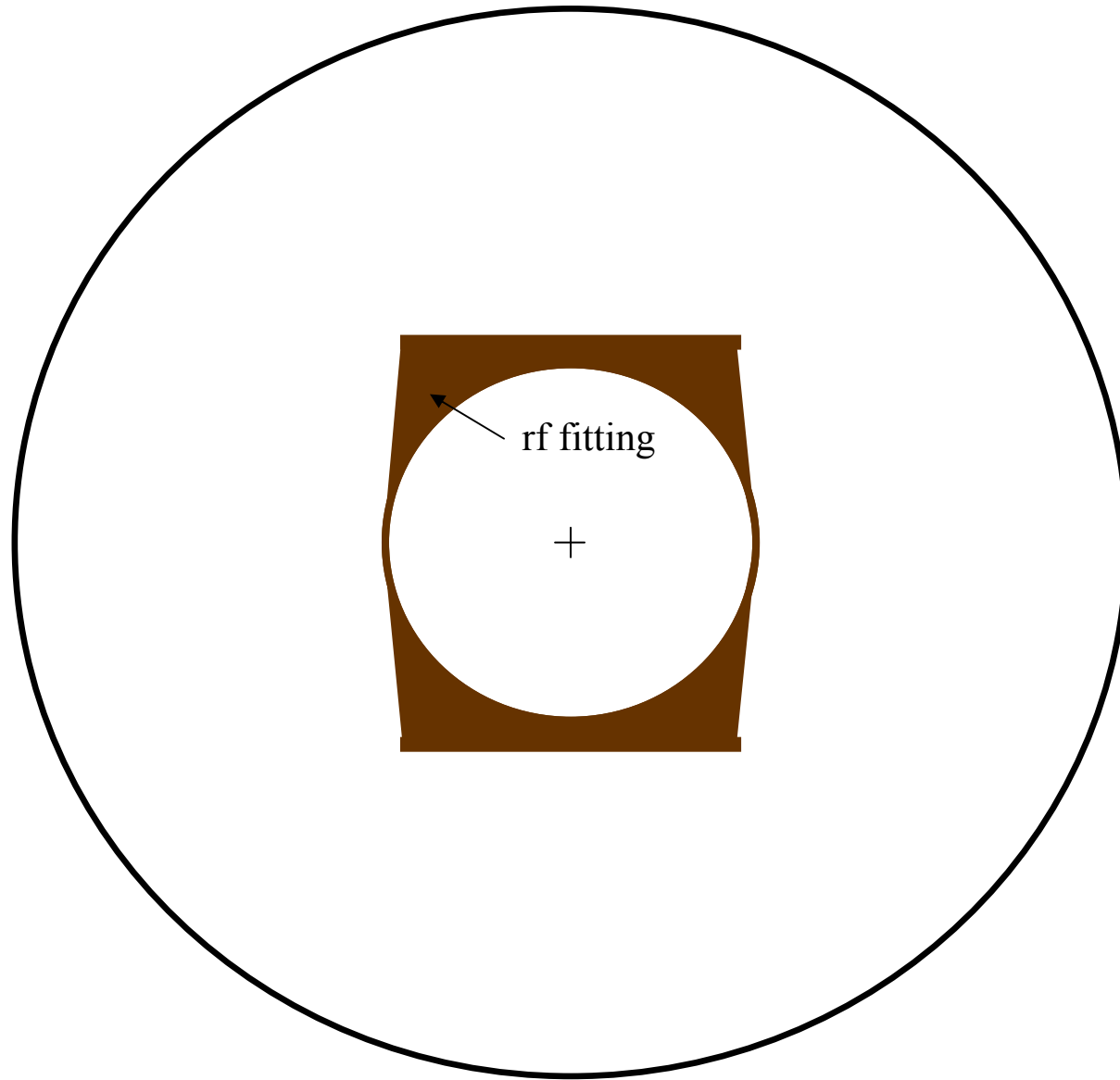
2.1. μ station, Secondary Vacuum Implementation



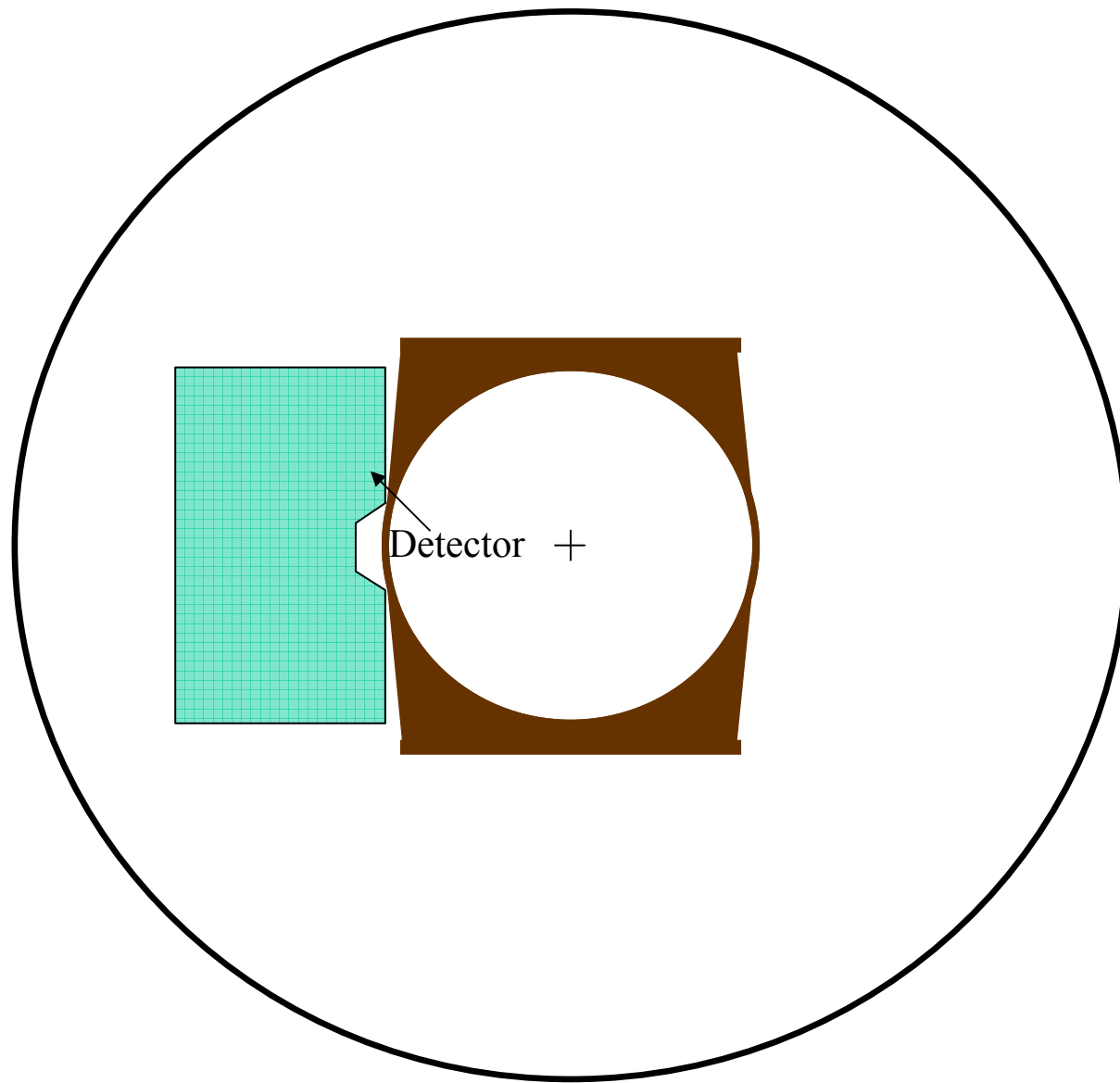
2.1. μ station, Secondary Vacuum Implementation



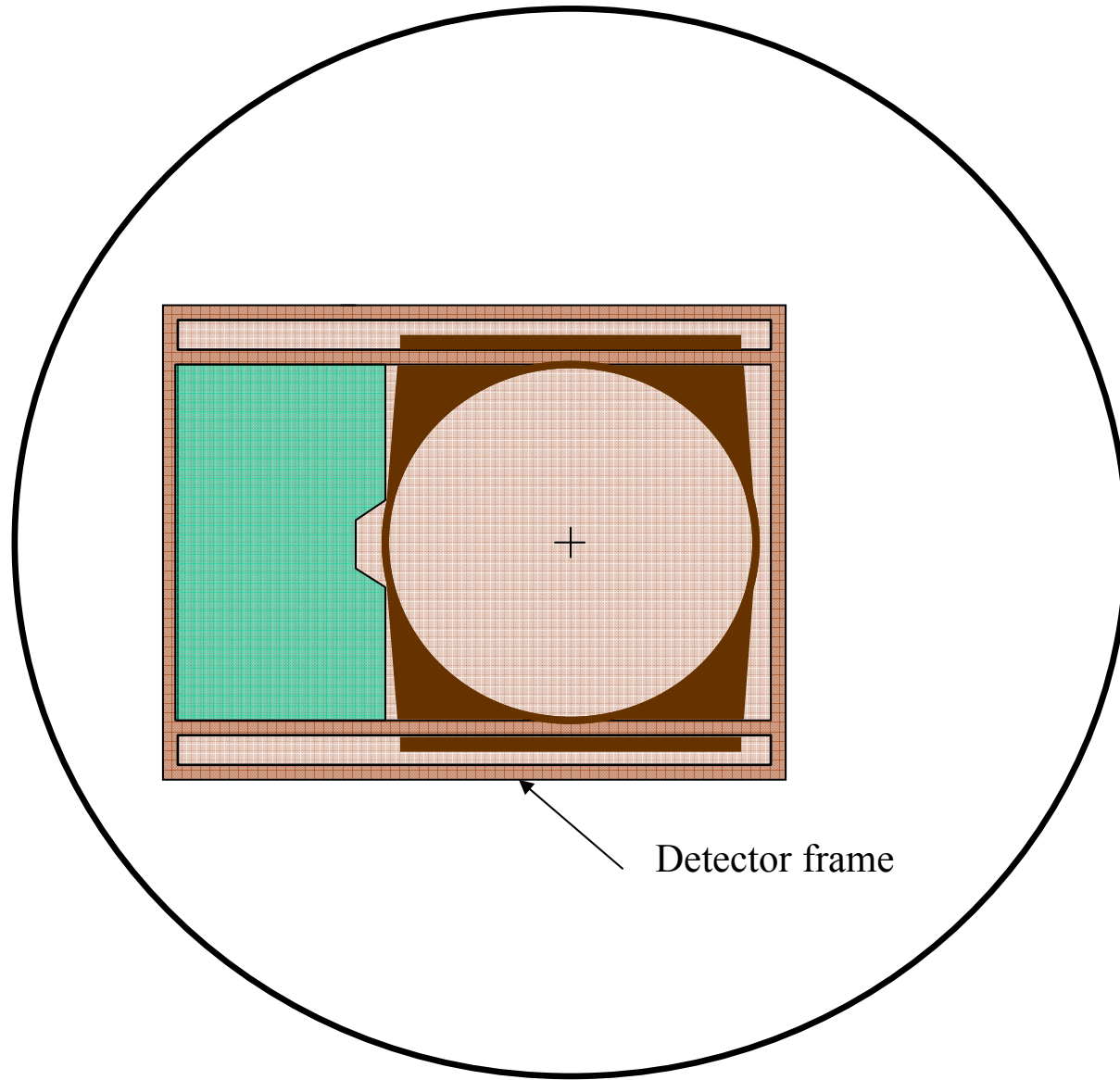
2.1. μ station, Secondary Vacuum Implementation



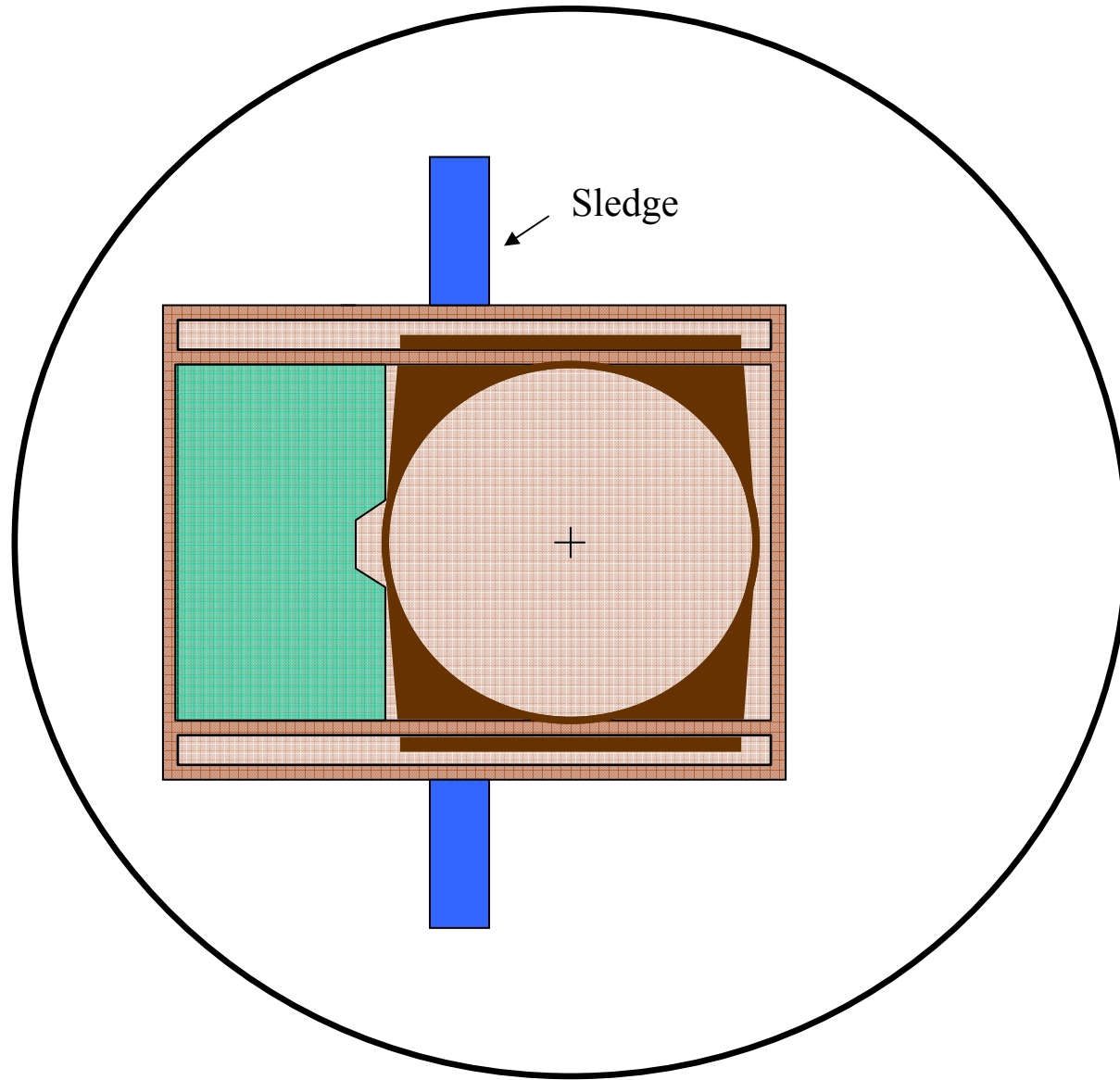
2.1. μ station, Secondary Vacuum Implementation



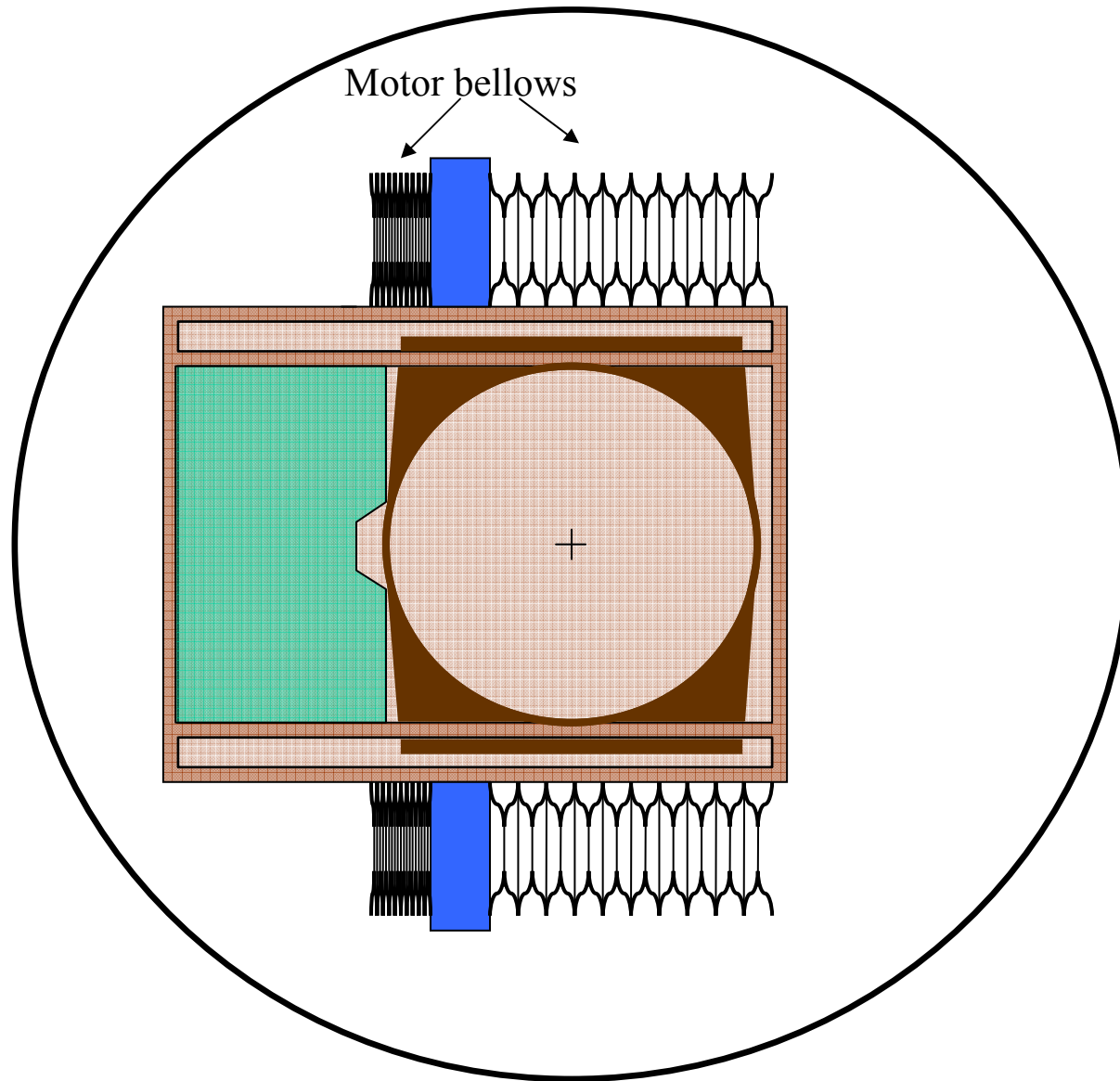
2.1. μ station, Secondary Vacuum Implementation



2.1. μ station, Secondary Vacuum Implementation



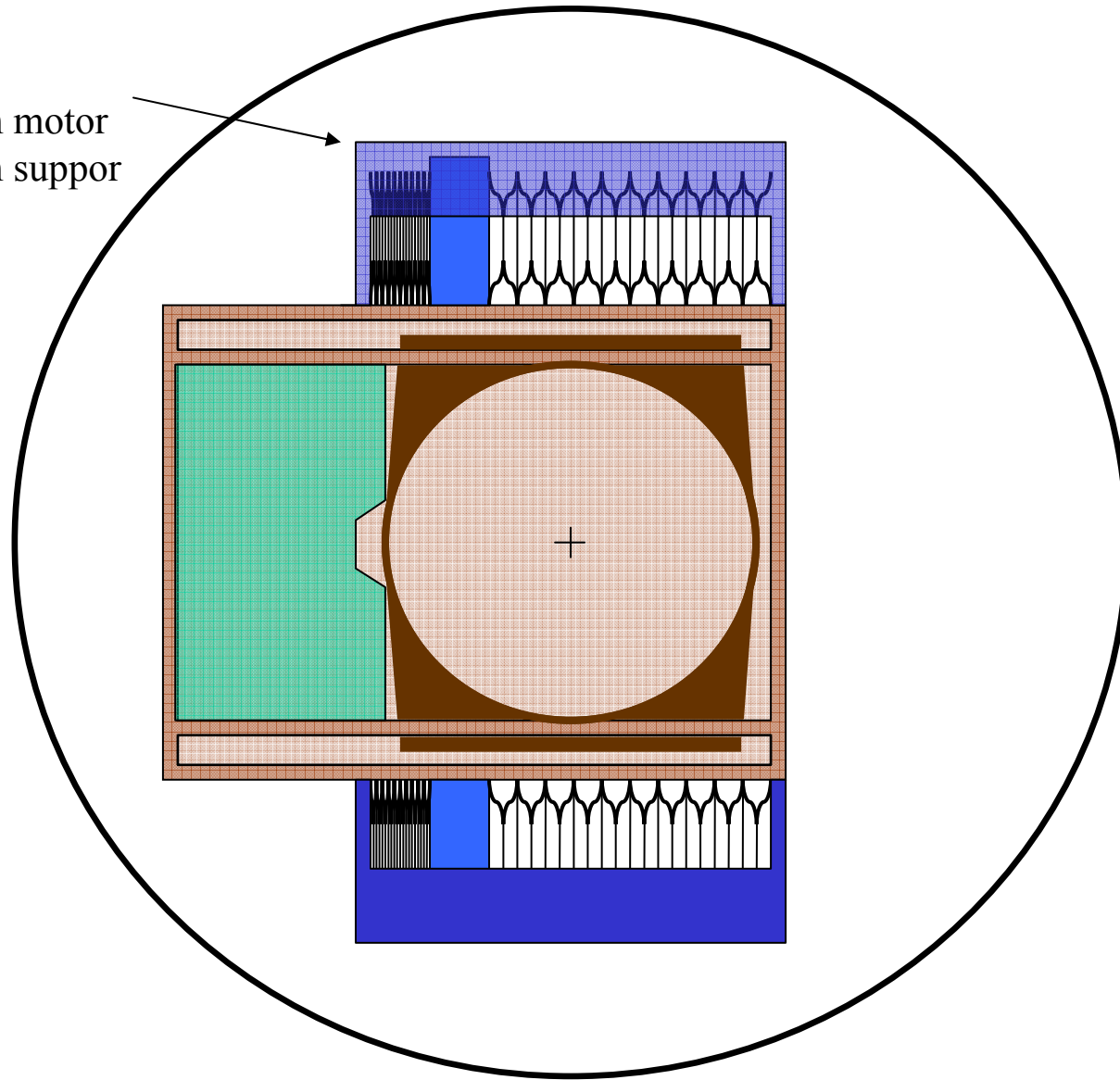
2.1. μ station, Secondary Vacuum Implementation



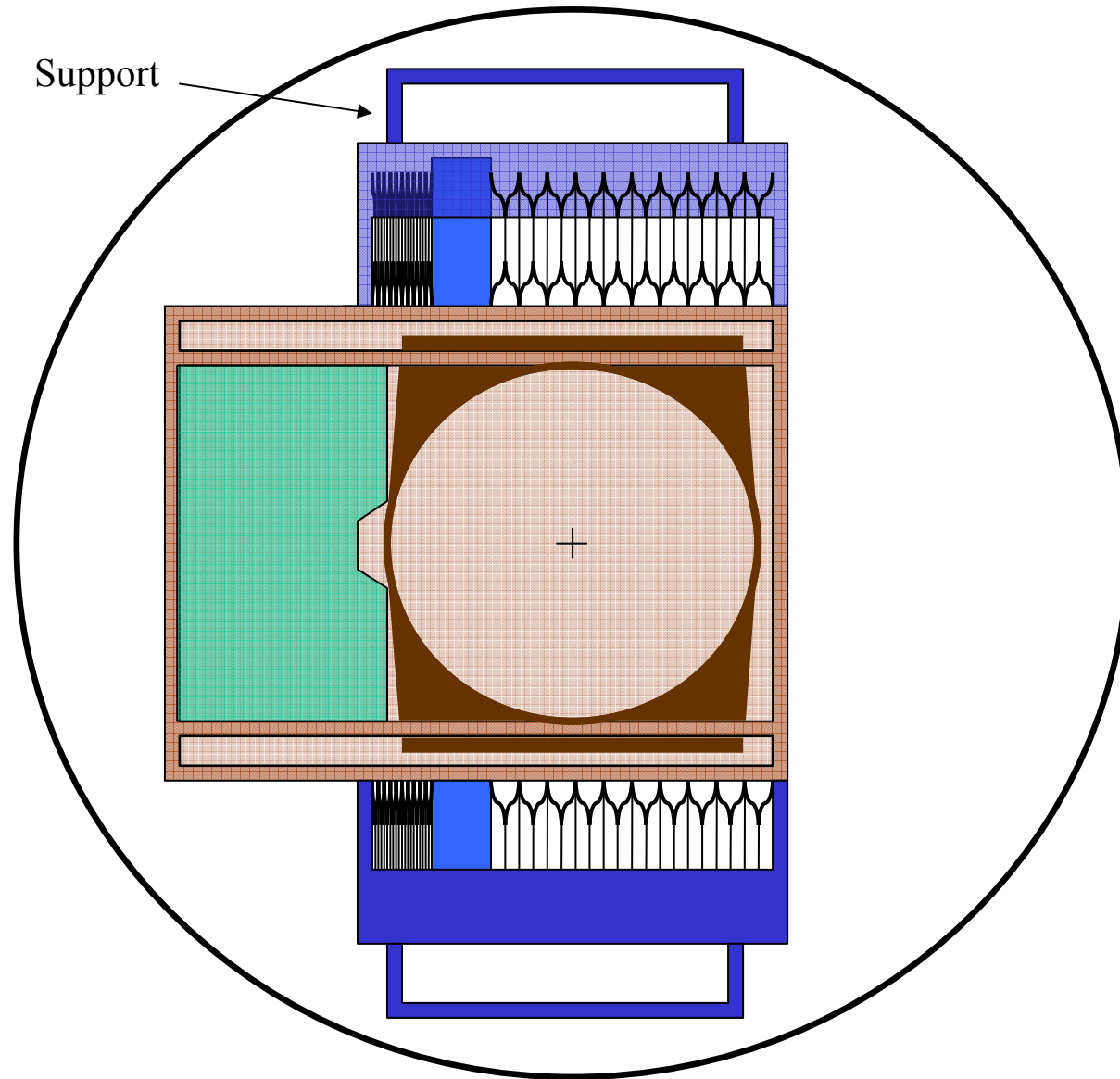
2.1. μ station, Secondary Vacuum Implementation

Motor holder

- stiff contact with motor
- stiff contact with support

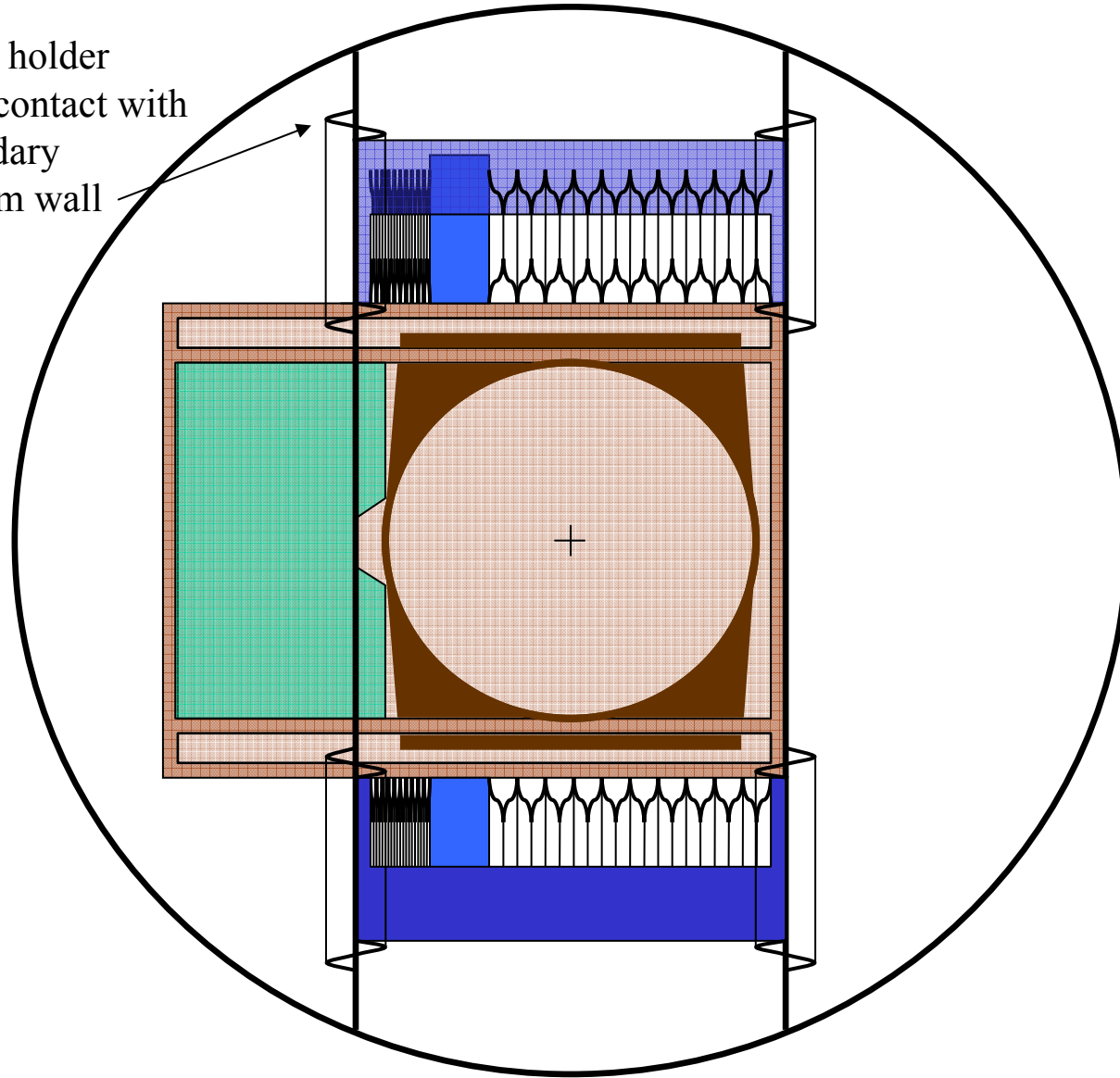


2.1. μ station, Secondary Vacuum Implementation

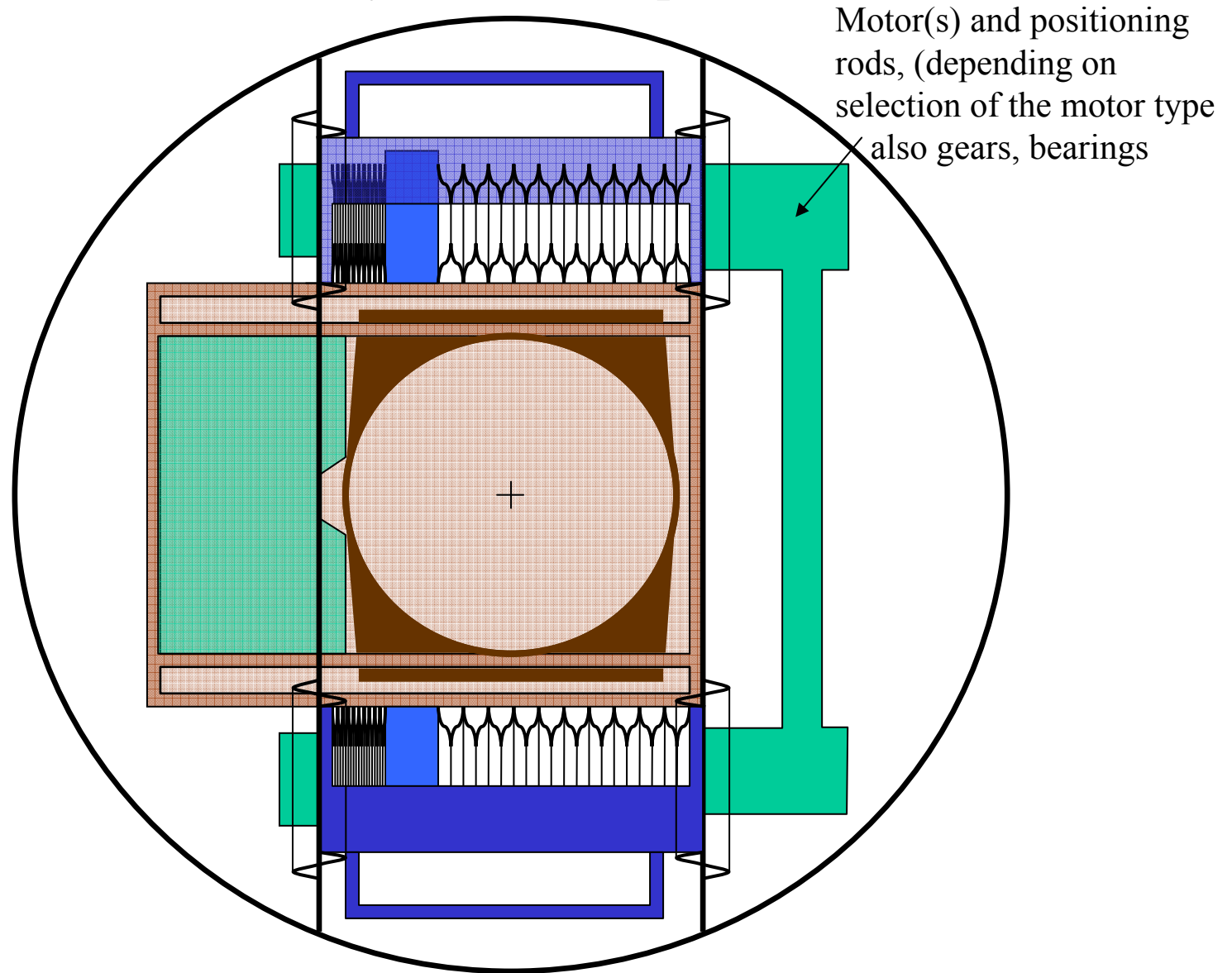


2.1. μ station, Secondary Vacuum Implementation

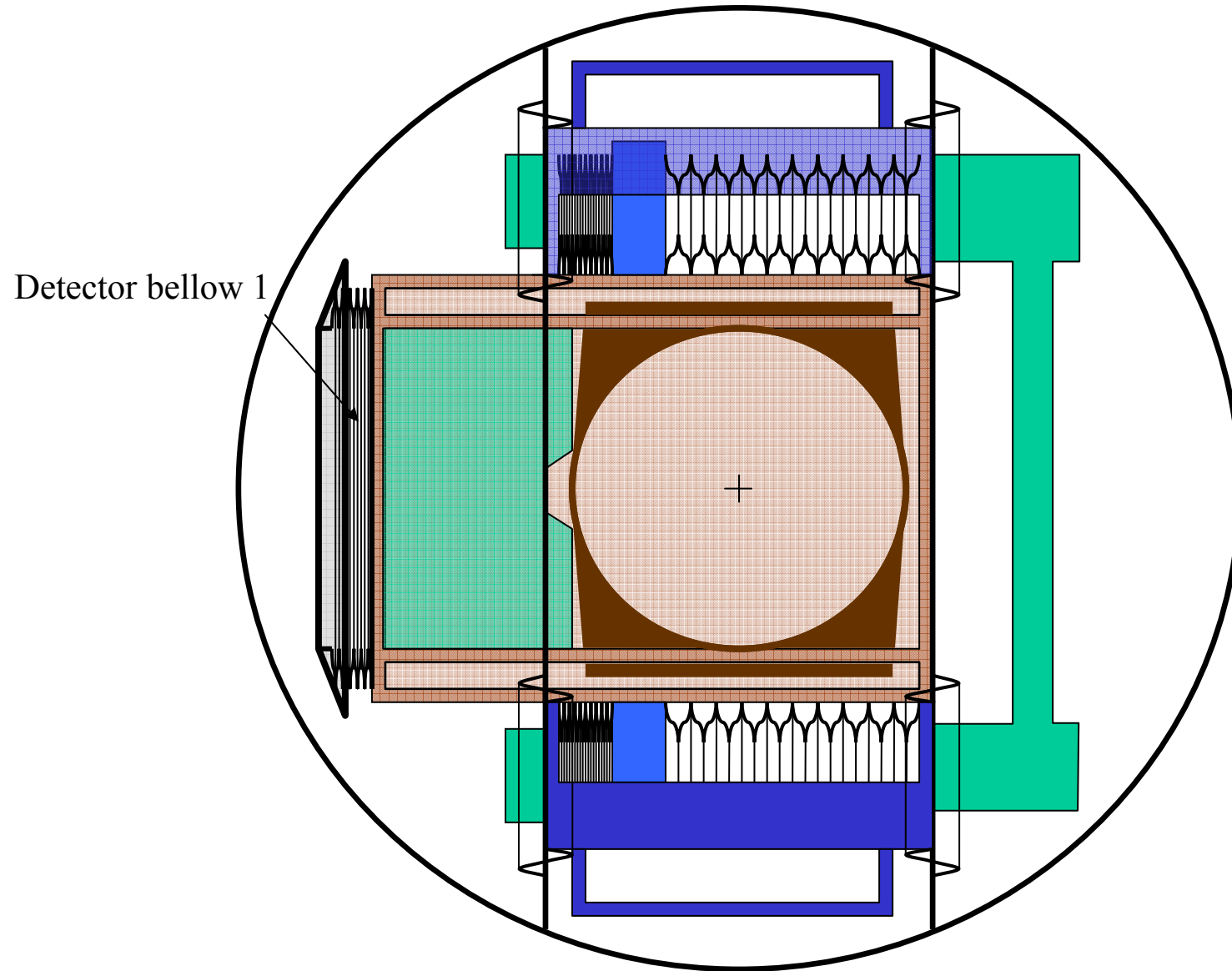
Motor holder
loose contact with
secondary
vacuum wall



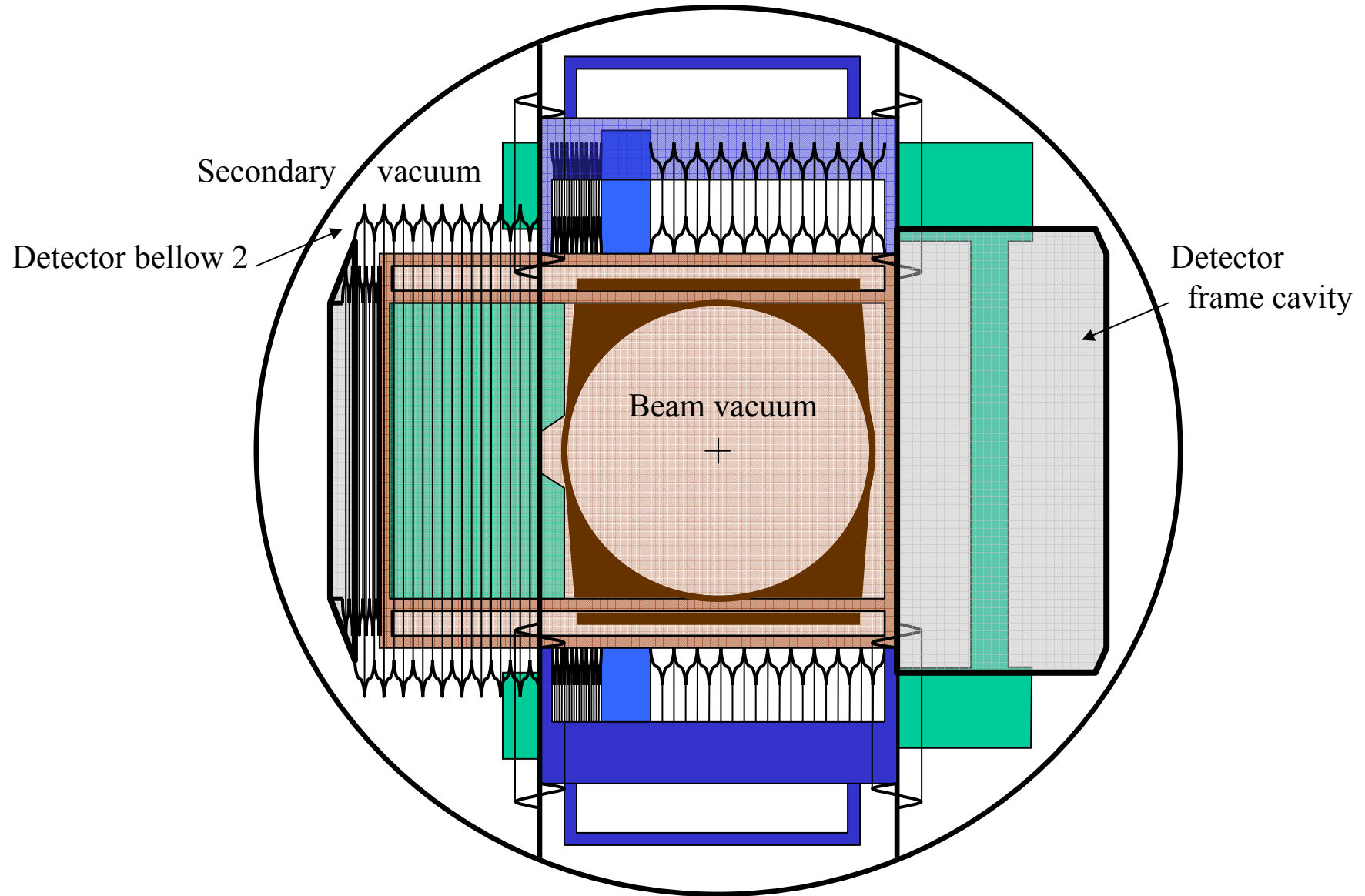
2.1. μ station, Secondary Vacuum Implementation



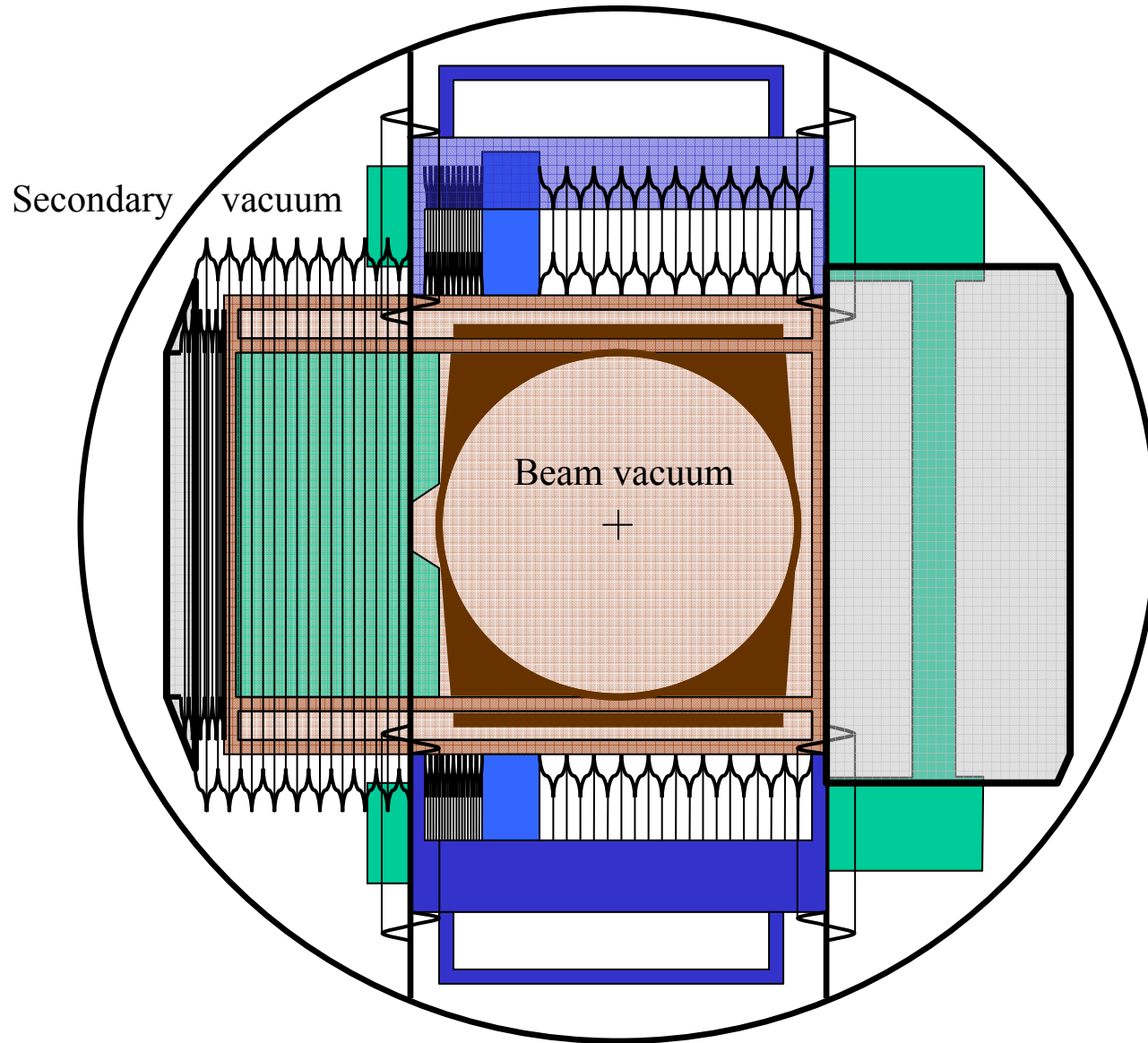
2.1. μ station, Secondary Vacuum Implementation



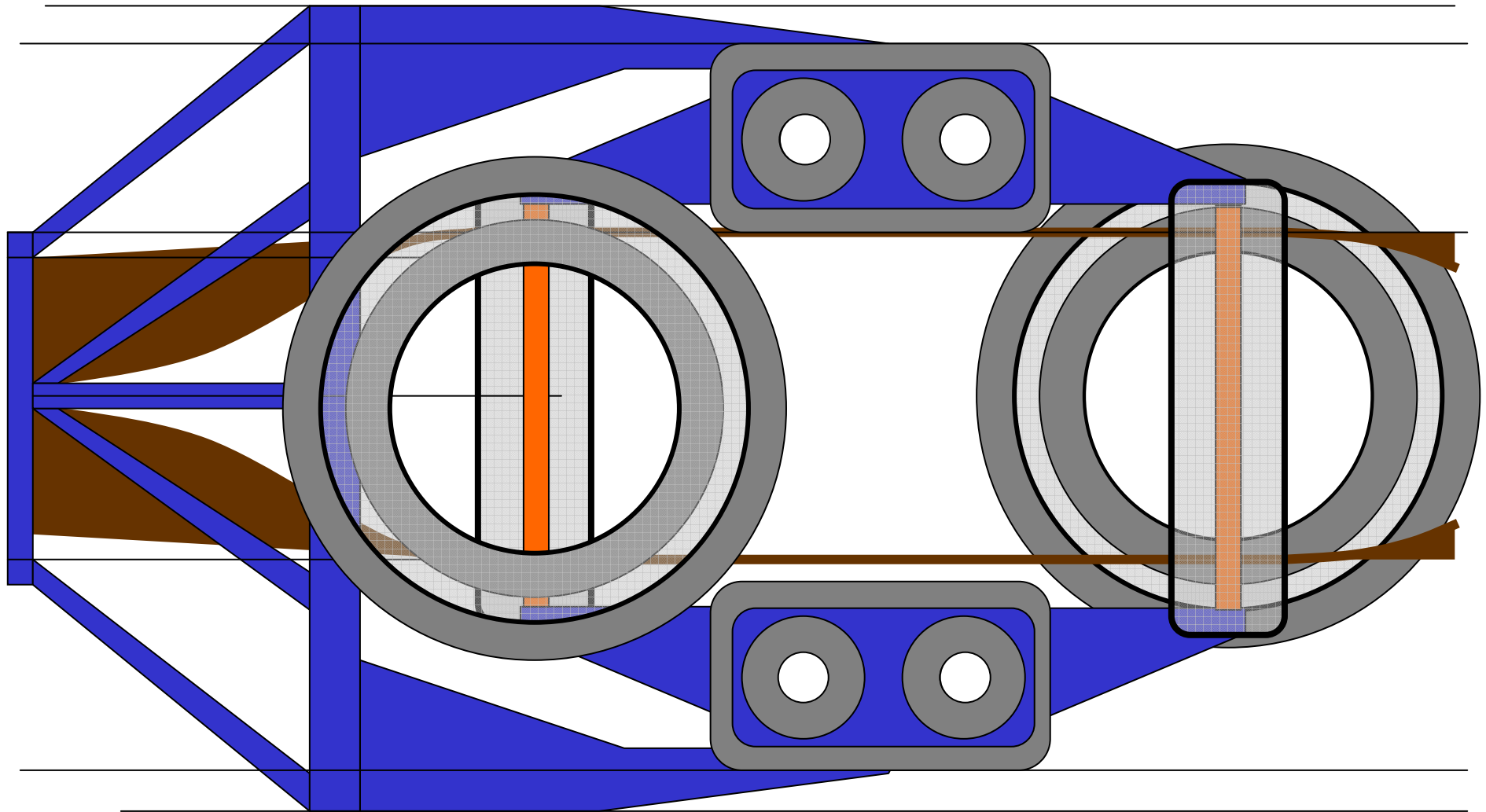
2.1. μ station, Secondary Vacuum Implementation



2.1. μ station, Secondary Vacuum Implementation



2.1. μ station, Secondary Vacuum Implementation



2.1. μ station, Secondary Vacuum Implementation

