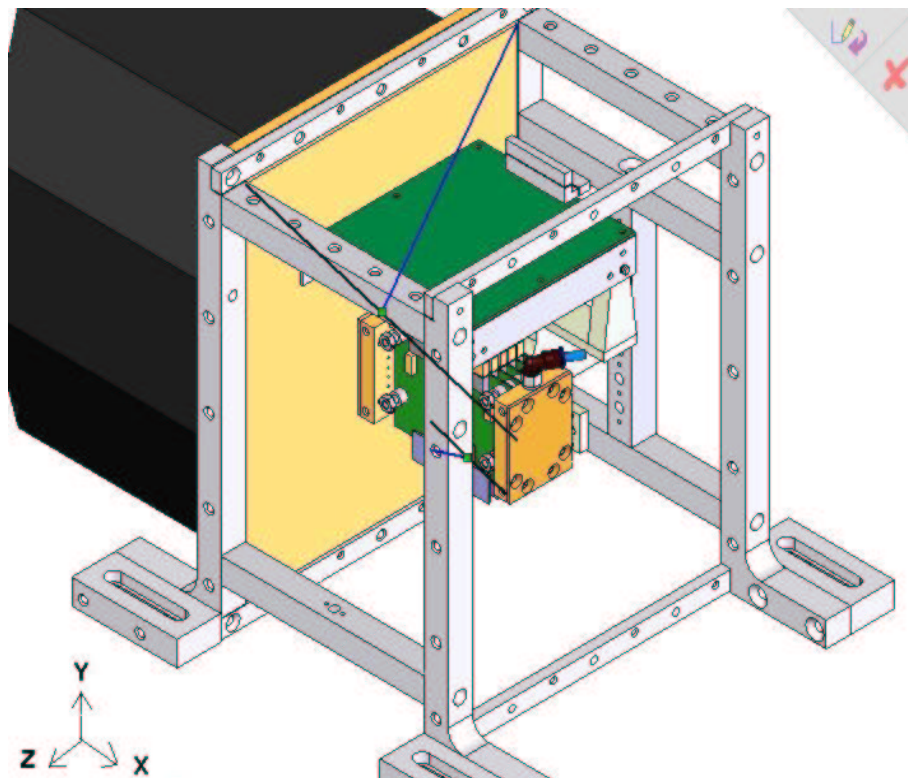


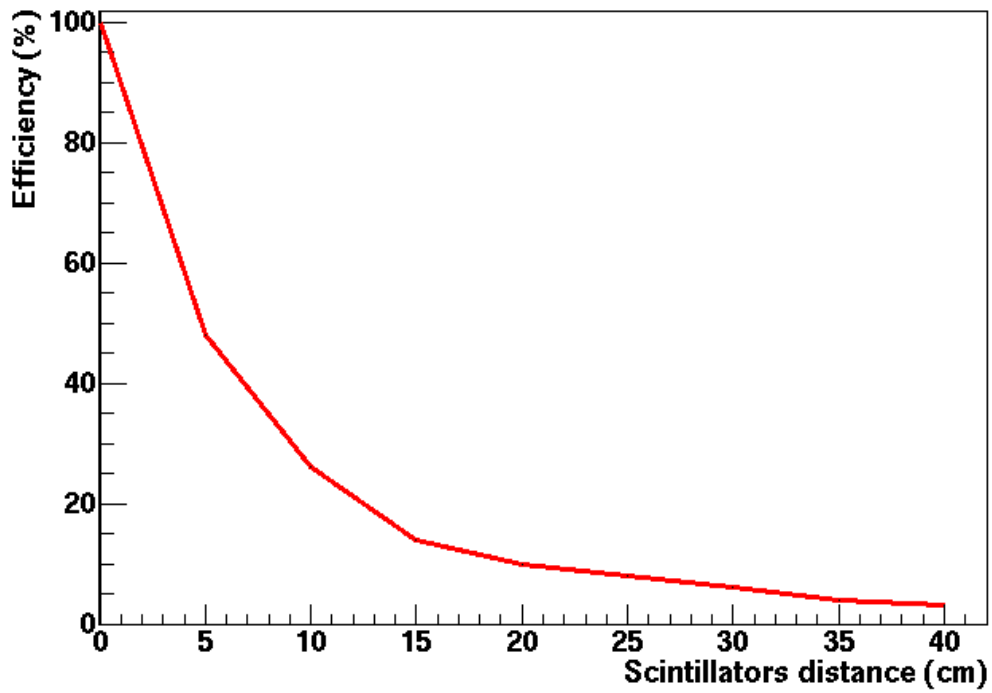
### Results varying scintillator distance

- 3 Scintillators (2 on the sides, one below)
- Distance from their original position (distance 0).
- Efficiency normalized to distance 0.
- Results in X (axis parallel to long side of silicon detector) and Y (axis parallel to short side of silicon detector) , FWHM for:
  - Spatial resolution not considered (NOSR) - Threshold 15 keV (TH15)
  - Spatial Resolution considered (SR). Threshold 15 keV (TH15)
  - Spatial resolution considered (SR). Threshold 25 keV (TH25)

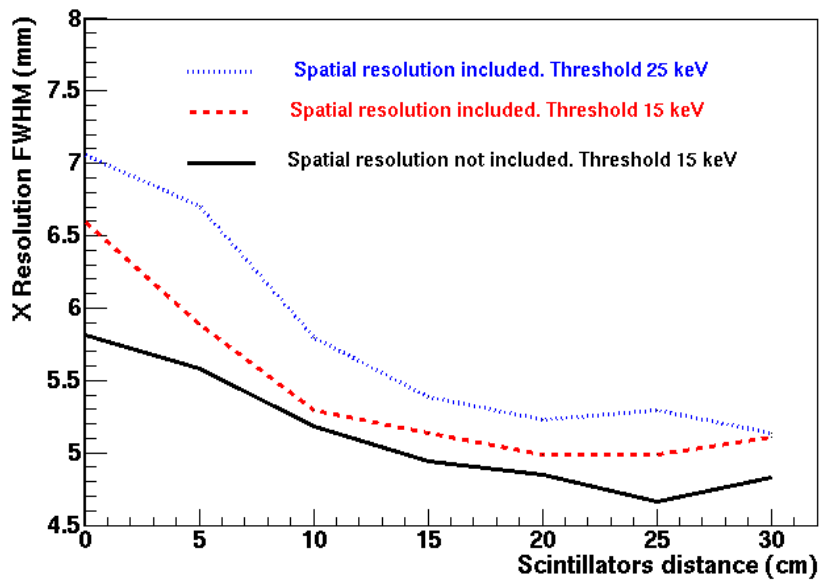
<i>Distance</i>	<i>Eff</i>	<i>NO SR TH 15</i>		<i>SR TH15</i>		<i>SR TH25</i>	
		X	Y	X	Y	X	Y
0	1	5.8	6	6.6	8.1	7.1	8.9
5	0.48	5.6	5.8	5.9	6.1	6.7	6.7
10	0.26	5.2	5.1	5.3	5.3	5.8	5.8
15	0.14	4.9	5.2	5.1	5.5	5.4	5.3
20	0.1	4.8	5.41	5	5.4	5.2	5.1
25	0.08	4.7	5.1	5	5.6	5.3	5.4
30	0.06	4.8	5.3	5.1	5.3	5.1	5.5



Efficiency vs. scintillators distance



X resolution vs. scintillators distance



Y resolution vs. scintillators distance

