



CCLRC

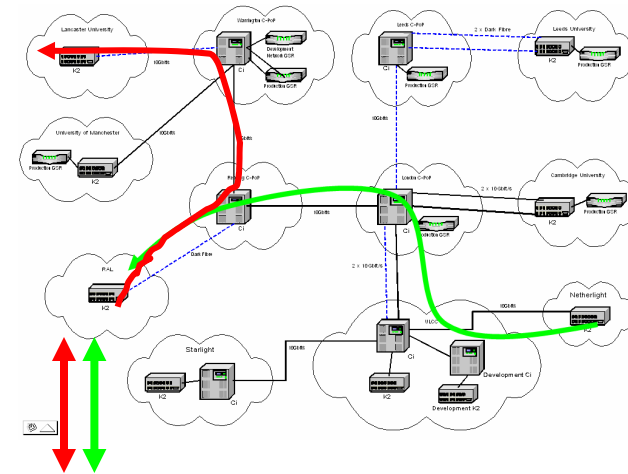
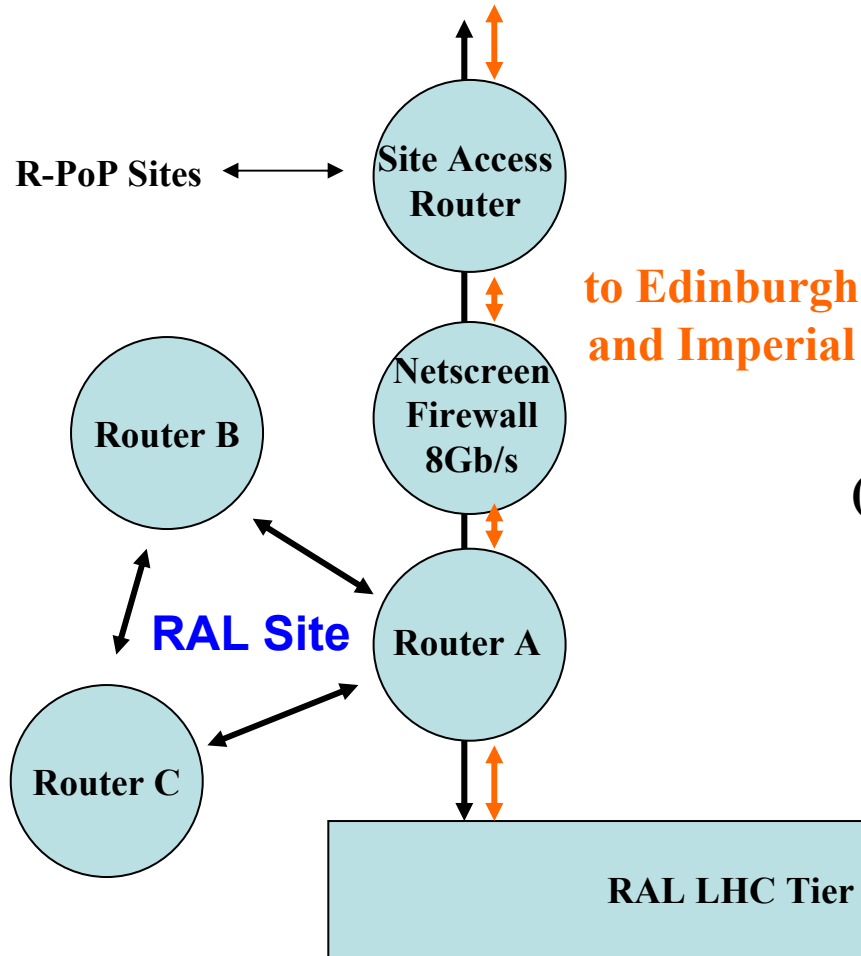
Rutherford Appleton Laboratory

RAL (UK) Tier 1 Connectivity

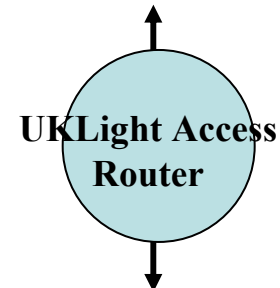
Robin Tasker
CCLRC, RAL

19 July 2005

Geant / SuperJanet4 / TVN Access (2*1Gbits/s)

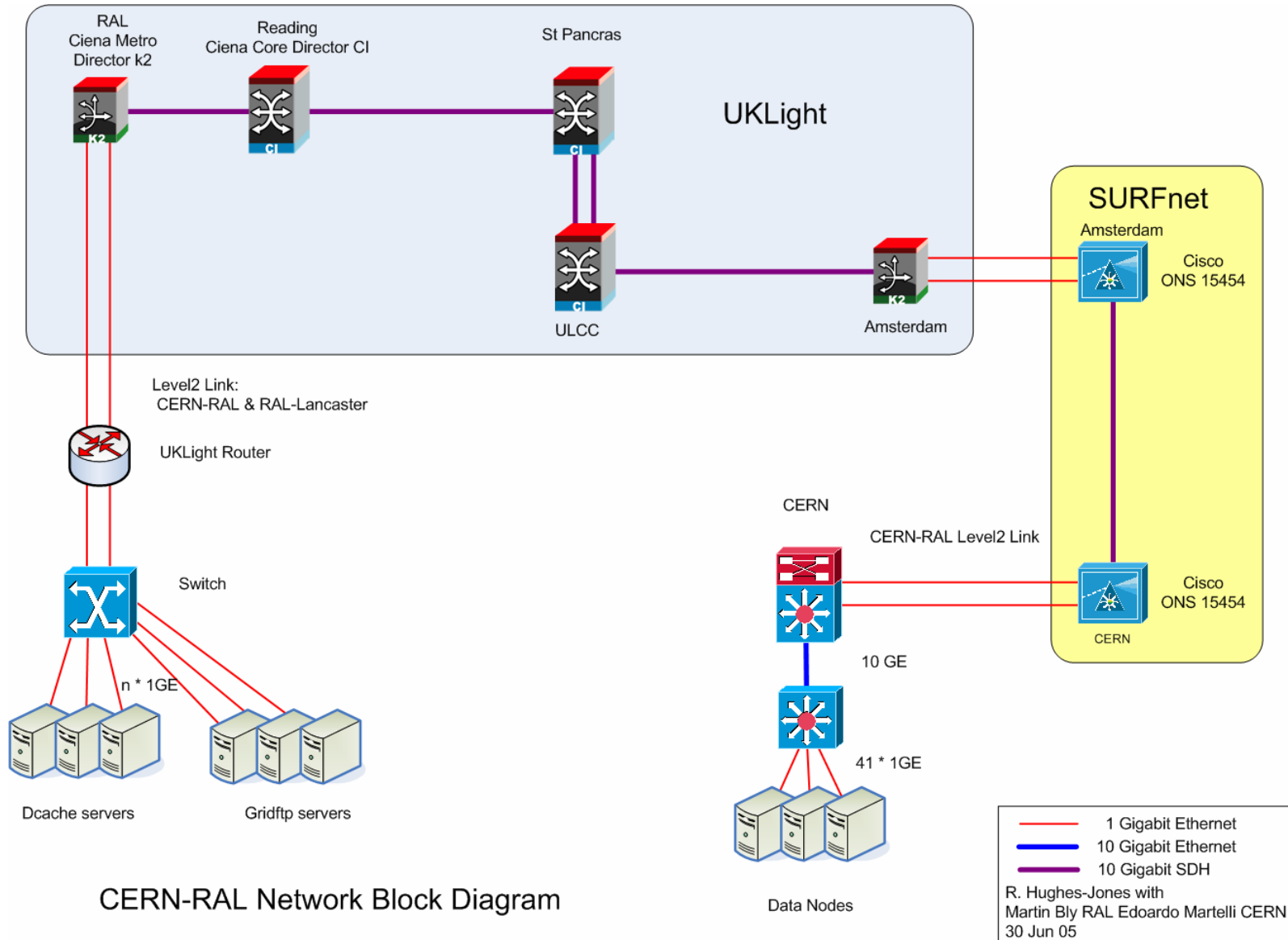


UKLIGHT (2 * 1Gbits/s) to CERN (1 * 1Gbits/s) to Lancaster



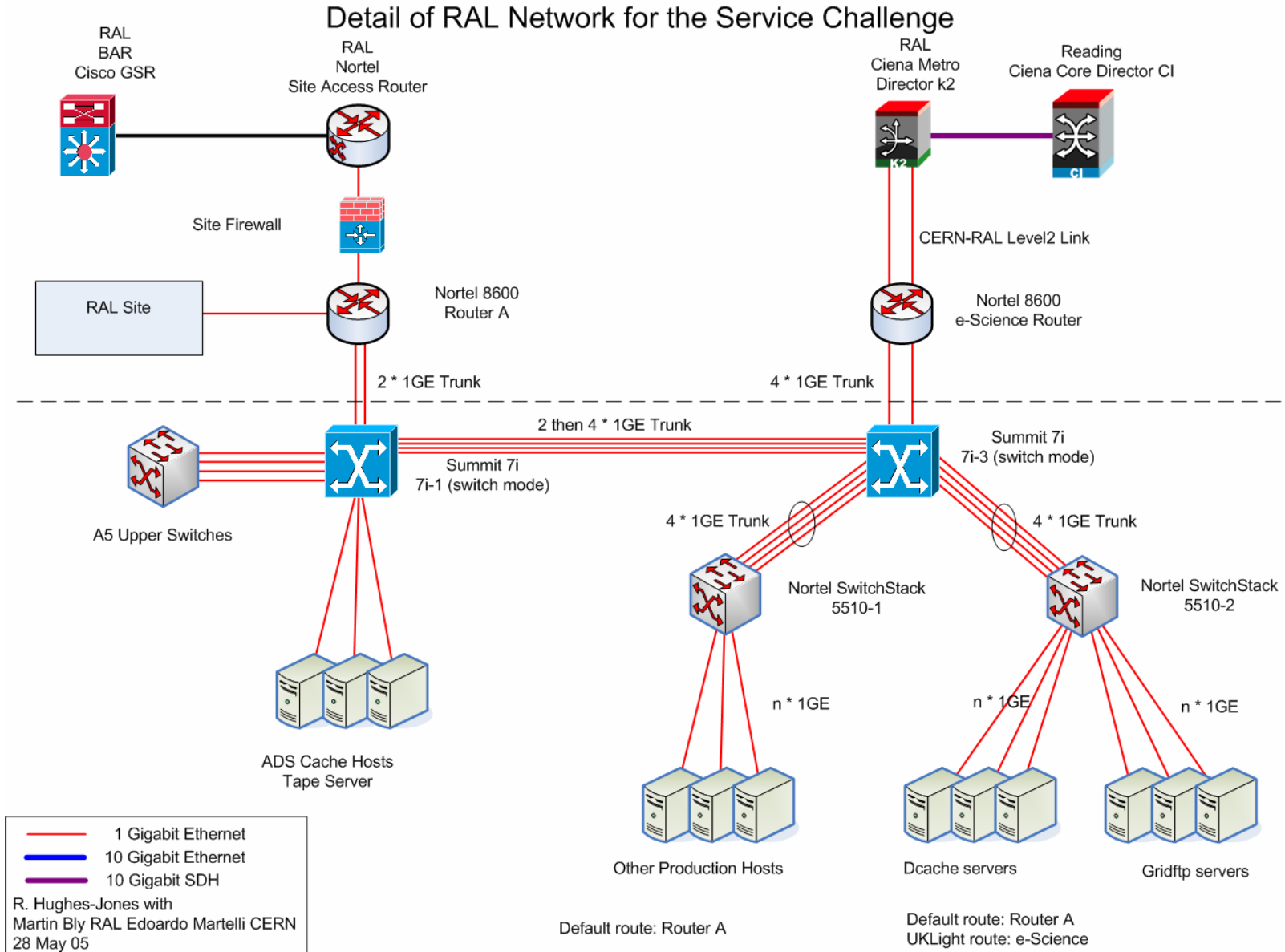
RAL LHC Tier 1 Centre

Networking at RAL – UKLight Details



CERN-RAL Network Block Diagram

Networking at RAL – Tier1 Details



Networking at RAL – mid 2006

Geant2 / SuperJanet5 / TVN Access
($n \cdot 1\text{Gbits/s} + m \cdot 10\text{Gbits/s}$)

