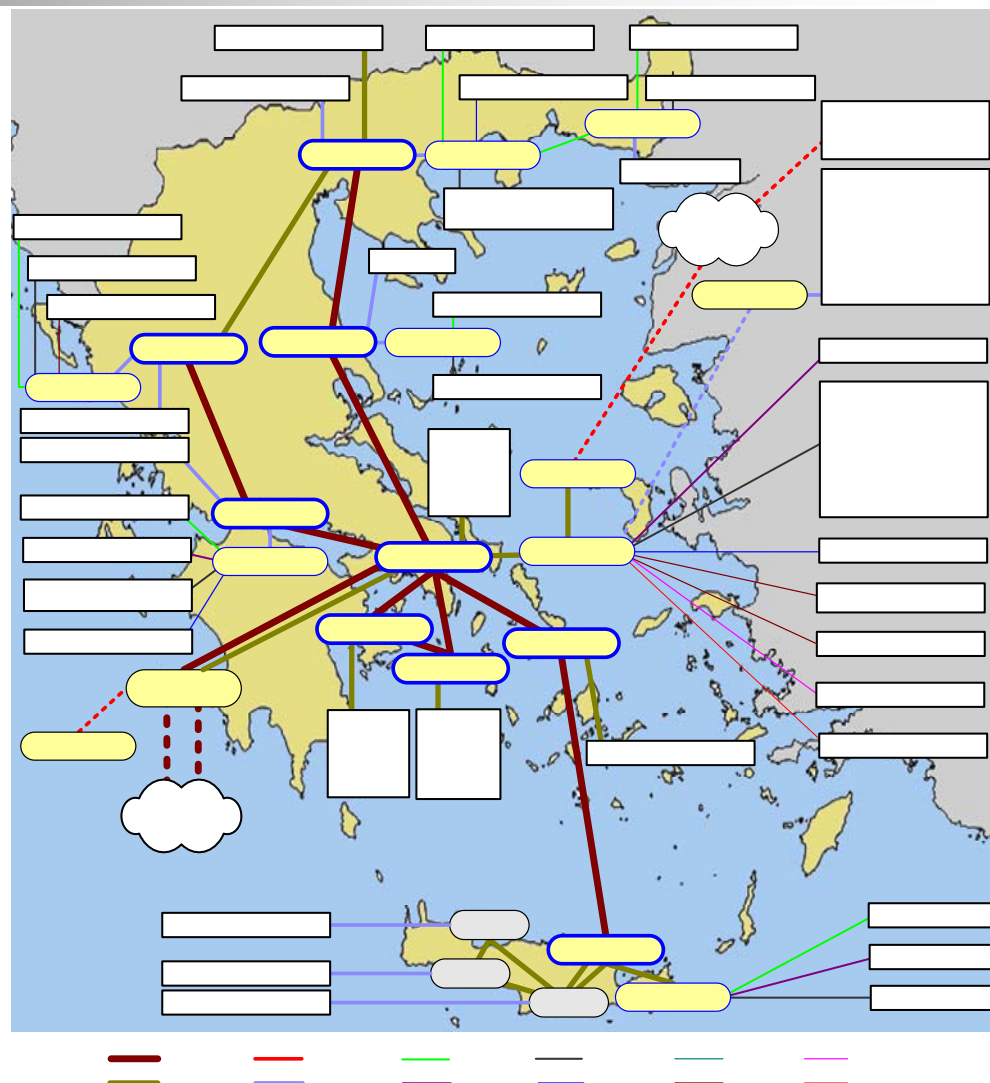

GRNET-2 / GN2 Update

Tryfon Chiotis, Technical Director
GRNET - Greek Research & Technology Network
tchiotis@grnet.gr, <http://www.grnet.gr>

Athens, January 2005

GRNET-2 (ΕΔΕΤ-2)

- Core 2,5 Gbps
- Access 2/34 Mbps – 1Gbps
- International 2x2.5Gbps (to be upgraded to 2x10 Gbps)
- Services:
 - Real-time services & VoD
 - GRNET-CERT
 - Directory Services (LDAP)
 - IPv6
 - MPLS

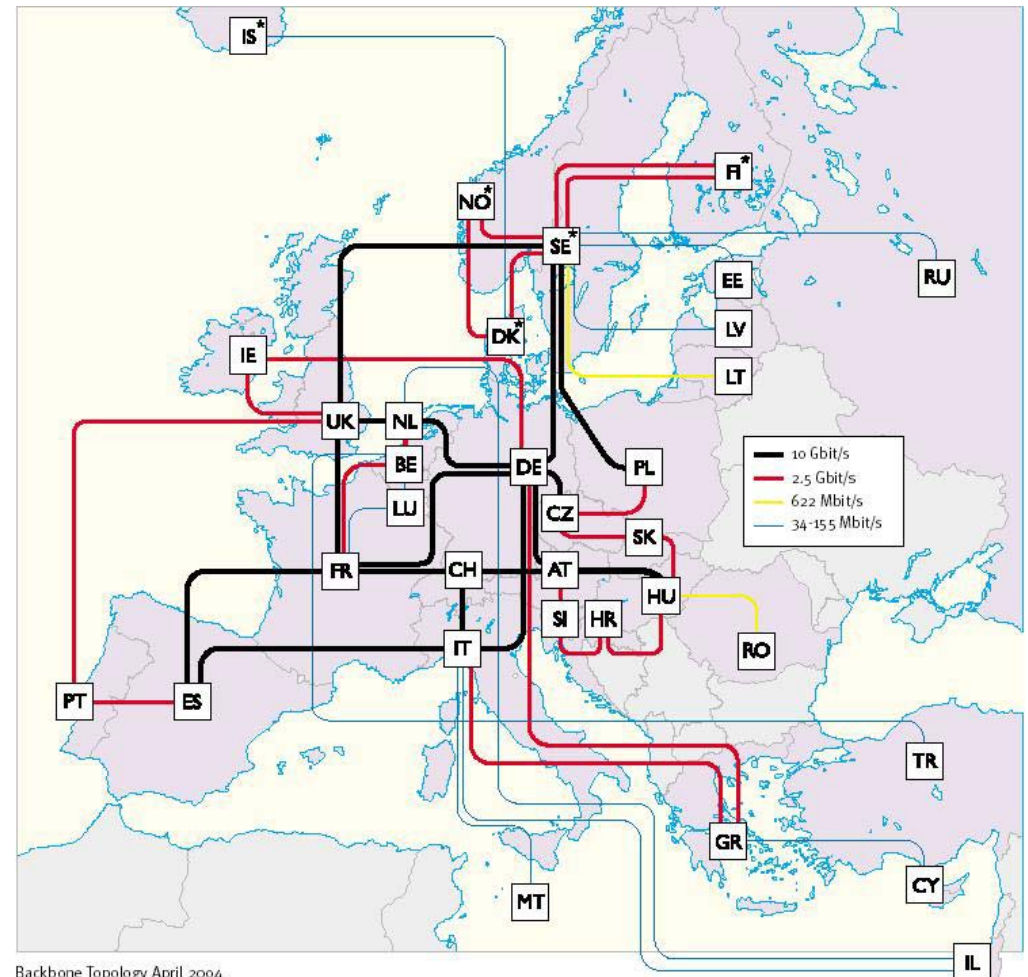


Under development

- Tenders for Thessaloniki-Xanthi, Syros-Samos, Athens-Xania (dark fiber IRUs) – Viability
- “93” & “105” will provide to Universities & Research Institutes, viable access to GRNET

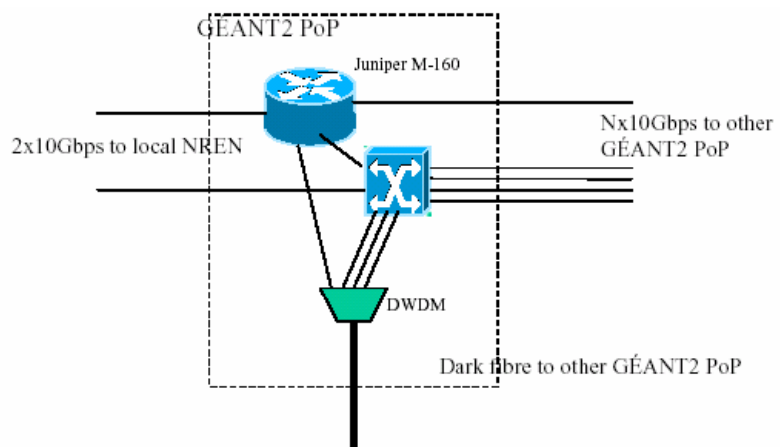
GN2

- Further develops the successful GN1 (FP5) project which has created the GEANT pan-European network
- Upgrade of the network backbone: GEANT2
- Emphasis on switched **end-to-end** provision of services across multiple interconnected networks
- Gaining improved understanding of user needs
- Direct support and performance monitoring
- Migration from IP services to combination of routing and switching, network control, light paths



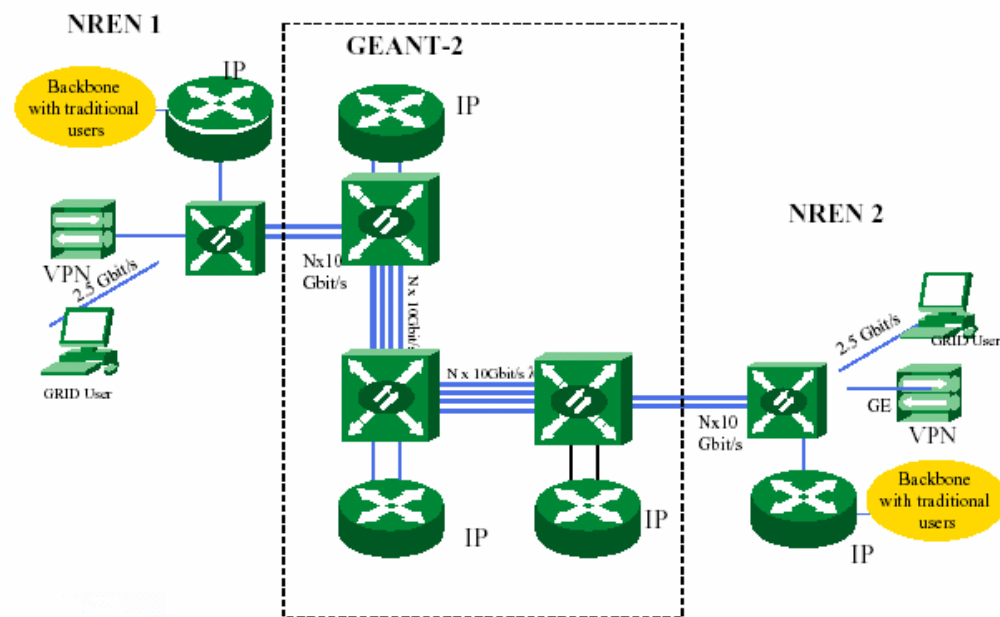
Backbone Topology April 2004

GN2: The network



- Node architecture

- End-to-end services



Pan-European fiber infrastructure

