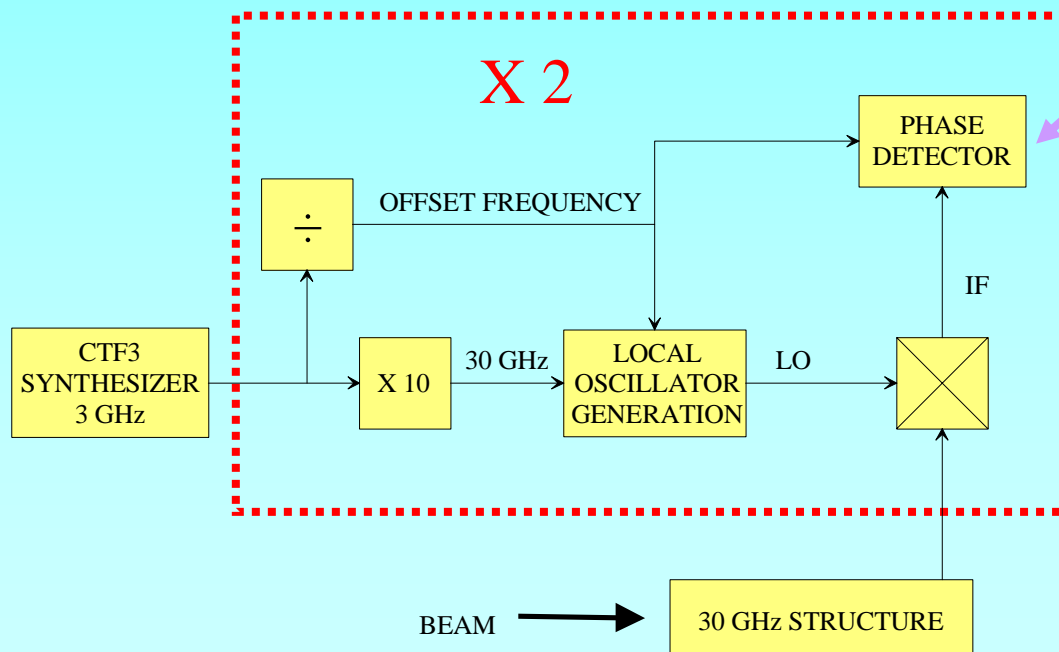


TPMON Objective:

Build and test high precision (10fs) 30GHz beam phase measurement electronics



Phase detector requirements

- Single-shot
- $\pm 50\text{MHz}$ bandwidth
- 0.1 degree resolution
- Limited linear range OK
- Amplitude range?