



LHC-OPN GÉANT2 update



Status European Links

IT	Bologna	in experimental mode
DE	Karlsruhe	testing between GRIDKA and CERN
FR	Lyon	RENATER service, operational
NL	NL-DE-CH	WL handover pending, Alcatel
UK	UK-FR-CH	equipment in place
DK	DK-DE-CH	equipment in place
ES	ES-CH	route handover pending, Alcatel

European Backup or T1/T1 links

- GRIDKA-SARA
- GRIDKA-CNAF
- IN2P3-GRIDKA

Transatlantic and Taiwanese Links

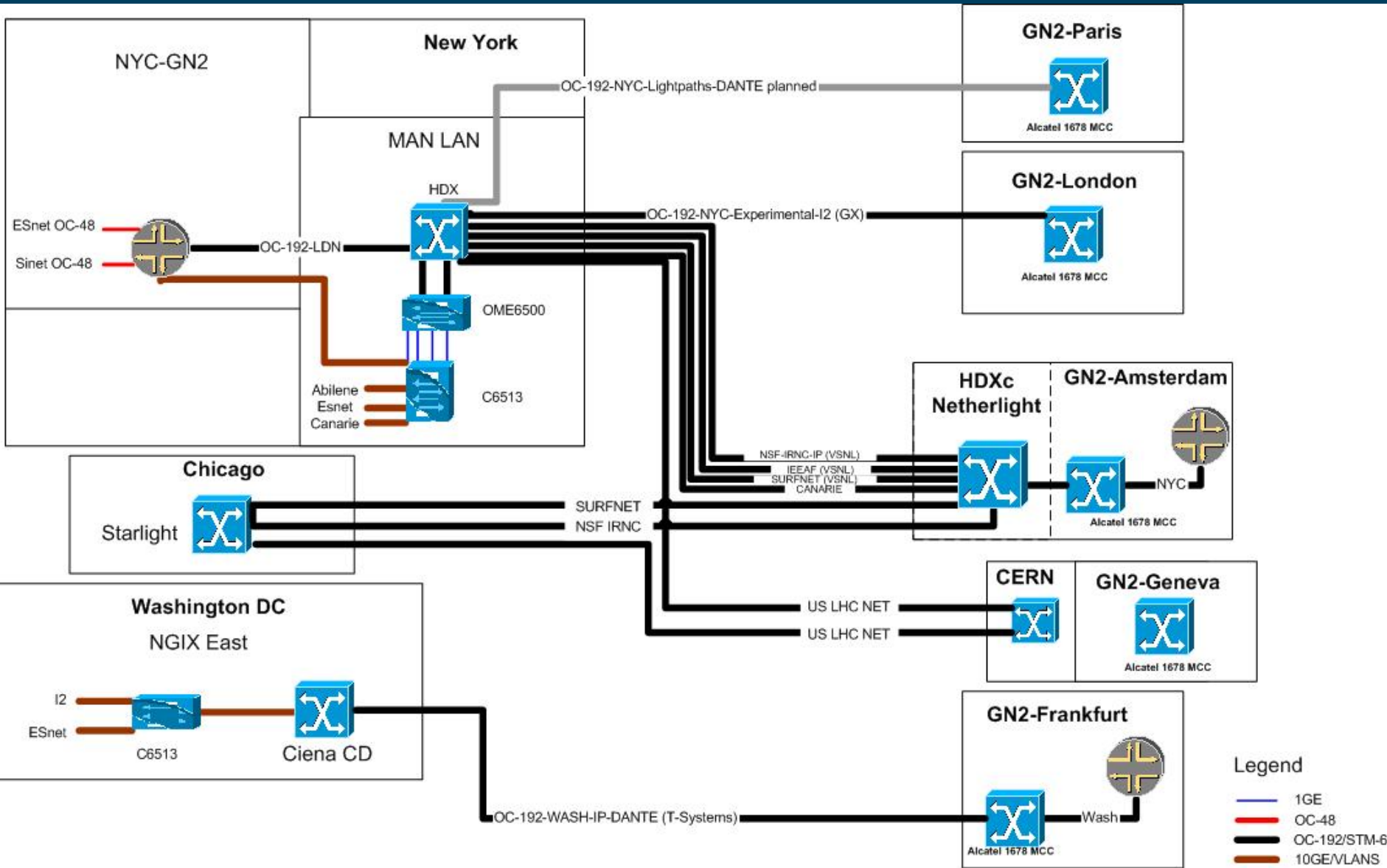
DANTE have request from CERN/SURFNET for two wavelengths Geneva-Amsterdam

ASCC

TRIUMF

FNAL

BNL?



Questions

- Complete resilience in Europe?
- Resilience Transatlantic and Asian
 - All links through Amsterdam?
- Interference with R&E IP network and general Internet
 - What happens if a T1/T0 link goes down?
- Plan for T0/T1 without T2?
- Is there a common understanding of the Operational Model for Layer 1 ENOC/E2ECU?
- Operational model L3?