



# Porting

Eamonn Kenny

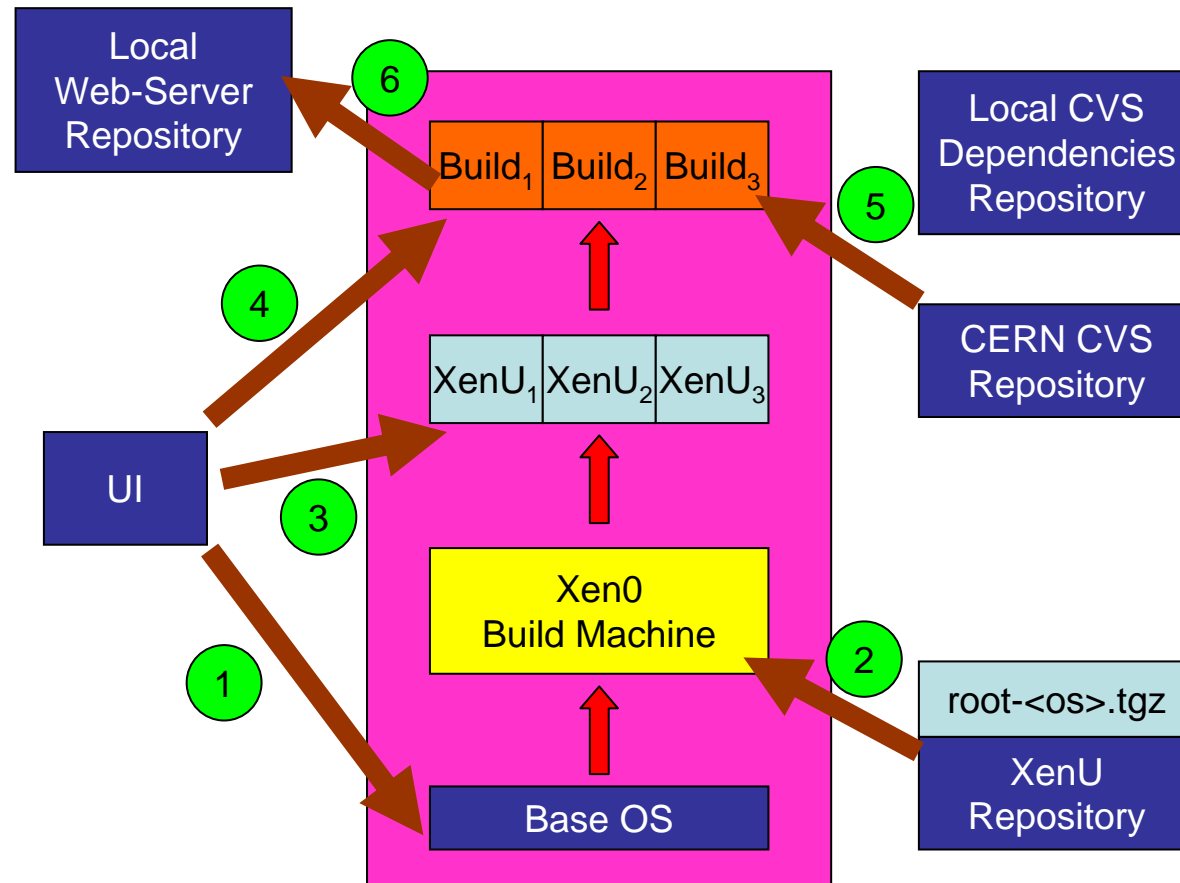
Dept. of Computer Science  
Trinity College Dublin



# Grid-Ireland Weblinks



- Grid-Ireland main porting page:  
<http://grid.ie/autobuild>
- Status and progress:  
<http://grid.ie/autobuild/progress.html>
- EGEE/LCG2 porting page:  
<http://grid.ie/porting>





# How to port?



- ETICS (replace dependencies build & edg-build)
- LCG2 (when fully integrated?)
- Dependencies build (we used edg-build) <https://grid.ie/autobuild/depend>



# Cohesive Work



- Using a common wiki to relate porting issues:  
<https://grid.ie/porting/private/wiki>
- Gridsite protected, already contains some information on porting LCG2/EGEE including a large dependency list.
- Better communication. Package updates.



# Fixes to Ports



- ETICS needs proxy support
- Post fixes back into CVS
- Documentation on Build System
- Documented dependencies



# Creating Releases



- `org.glite.deployment` or `glite-yaim`?
- Testing releases (is SFT/SAM the standard?)
- Migrating releases?