



# ***Luminosity monitors for the LHC Installation Plans***

**Alessandro Ratti**

Jan. 9, 2006

Engineering Division — Accelerator and Fusion Research Division



## Status

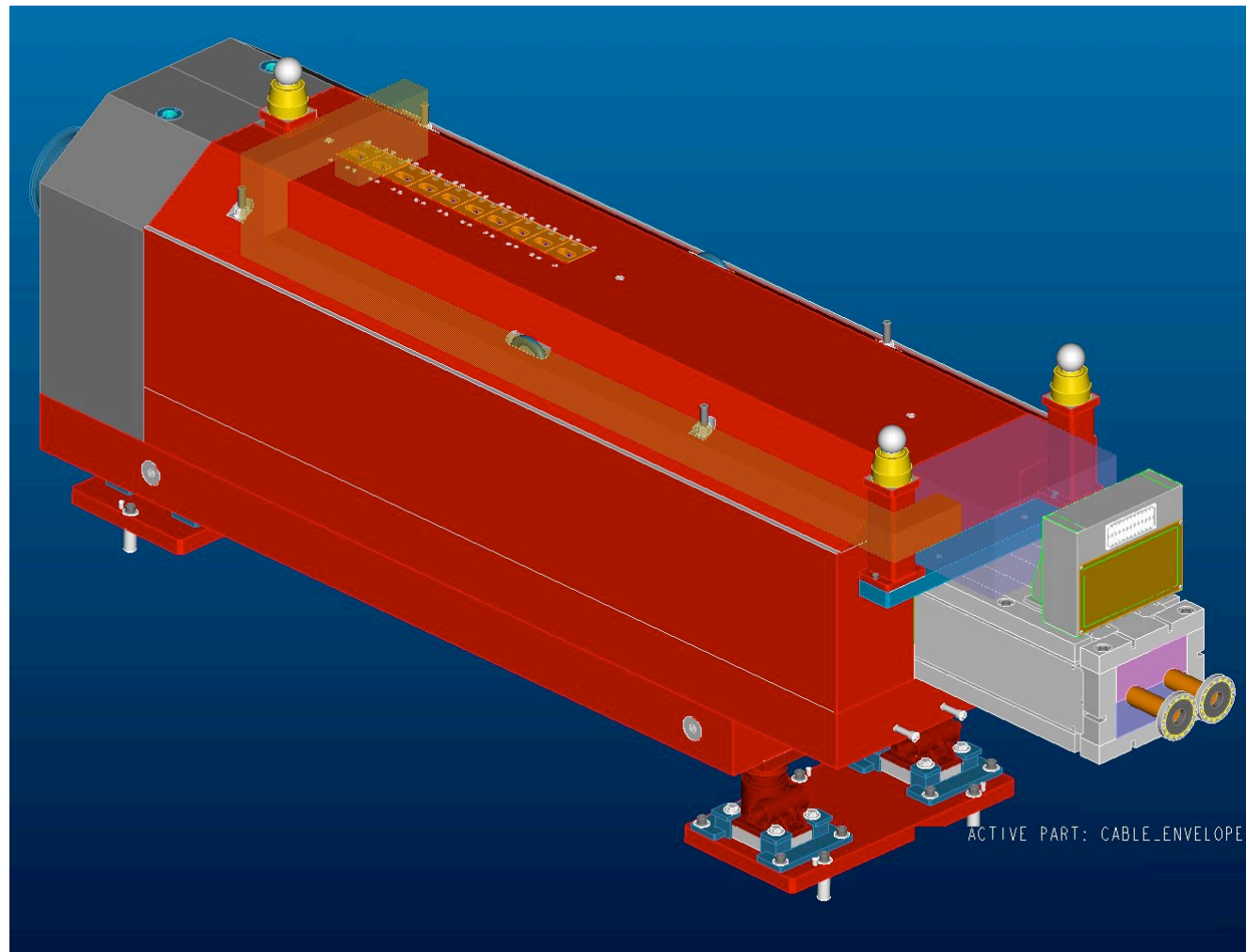
- Have started to develop the concept
- Are here to coordinate with other interested parties
- We will instrument IP1 and IP5
  - ◆ Atlas and CMS
- Other groups plan to instrument TANs
  - ◆ A mock-up of a TAN would be very useful



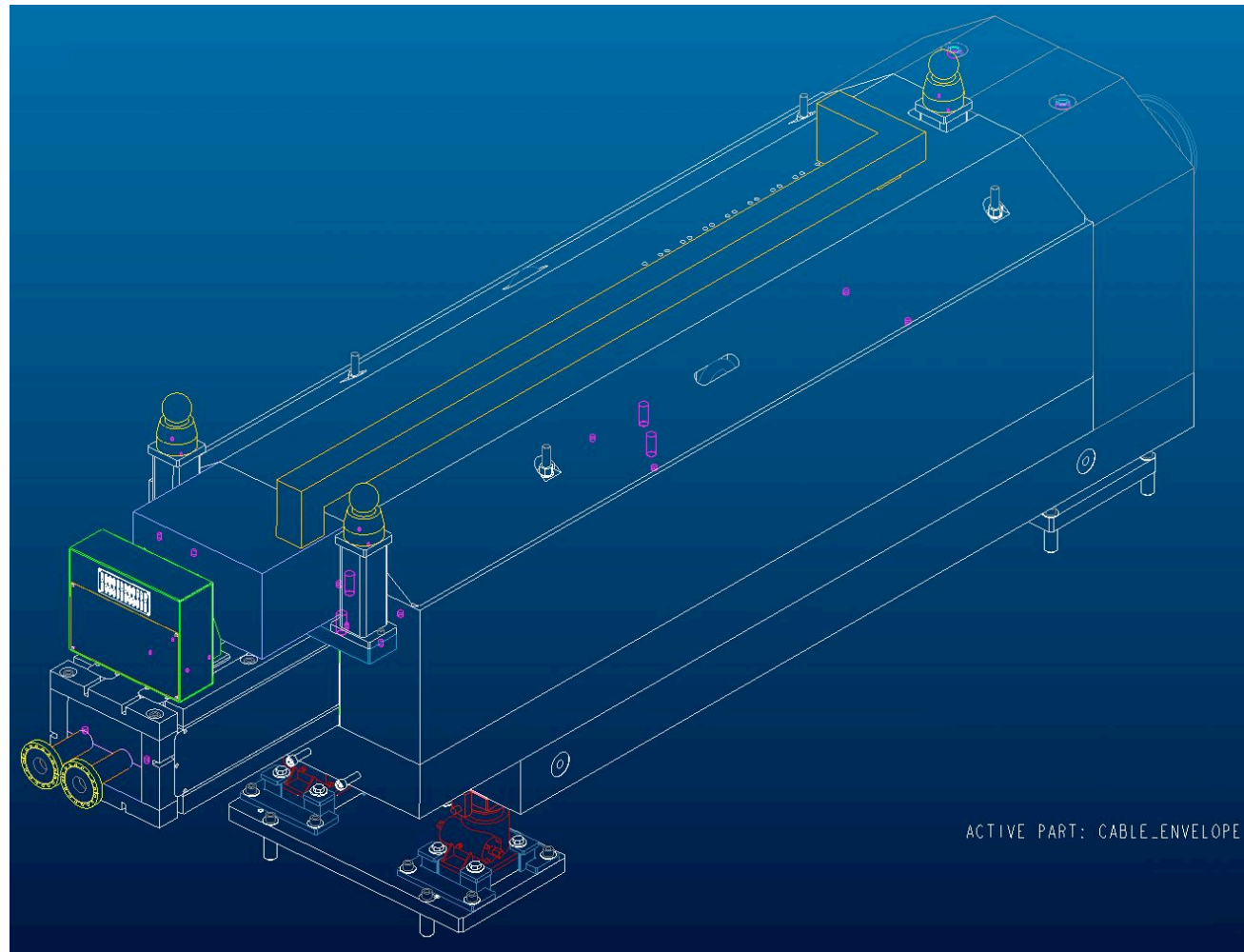
## *Technical Approach*

- Space we claim:
  - ◆ All vertical space above the device
  - ◆ No longitudinal space next to our device
    - ◆ Except for cabling conduit
  - ◆ Space at the end of TAN for front end pre-amps
- Need ~ 1-2 interaction lengths of material before LUMI
  - ◆ Important to keep the working conditions similar if surroundings change
  - ◆ IE if a detector is removed, replace it with an equivalent material and size

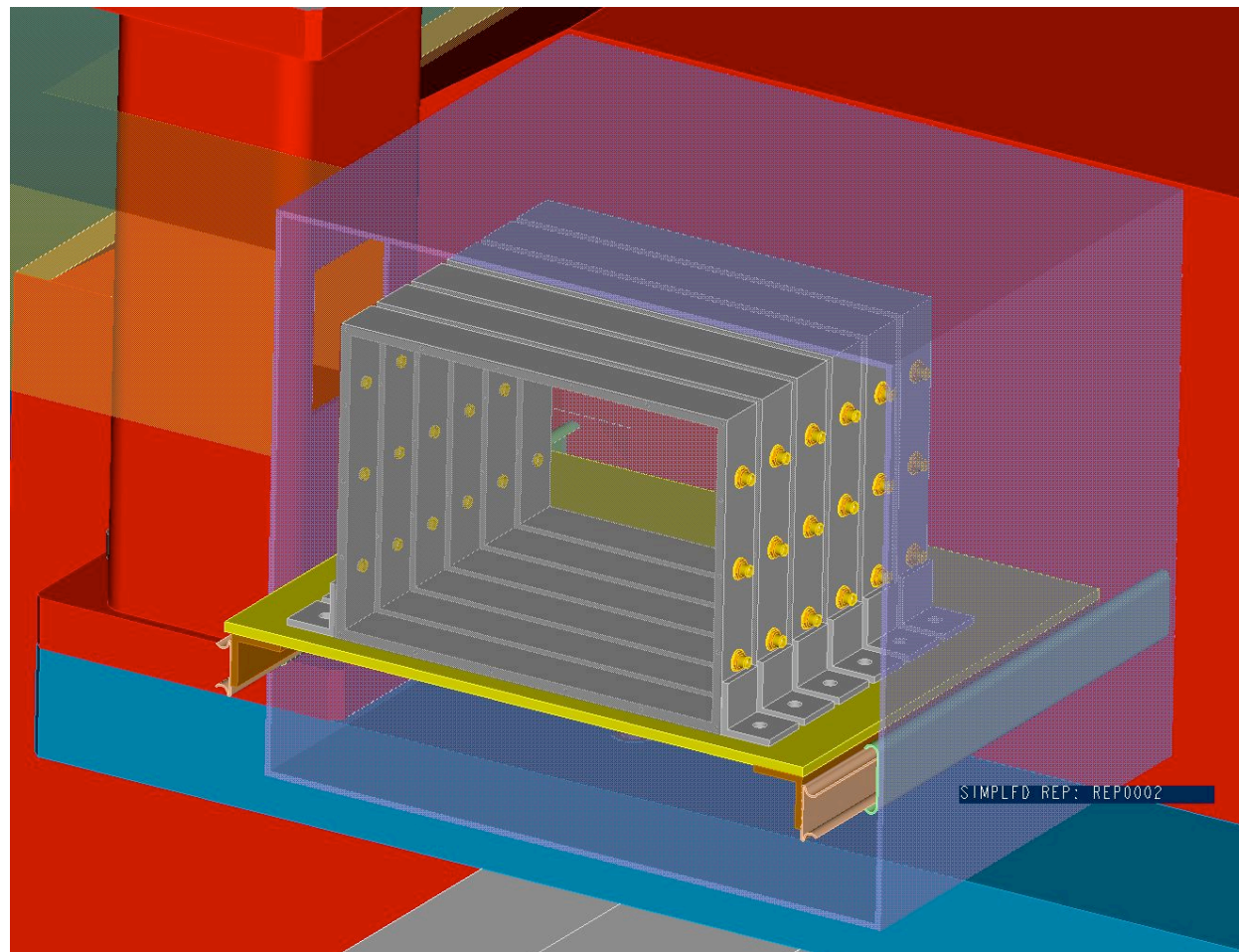
# Installation Concept Drawing



# Installation Concept Drawing (alt.)



# Front End Pre-Amps Installation





# Cabling Diagram

