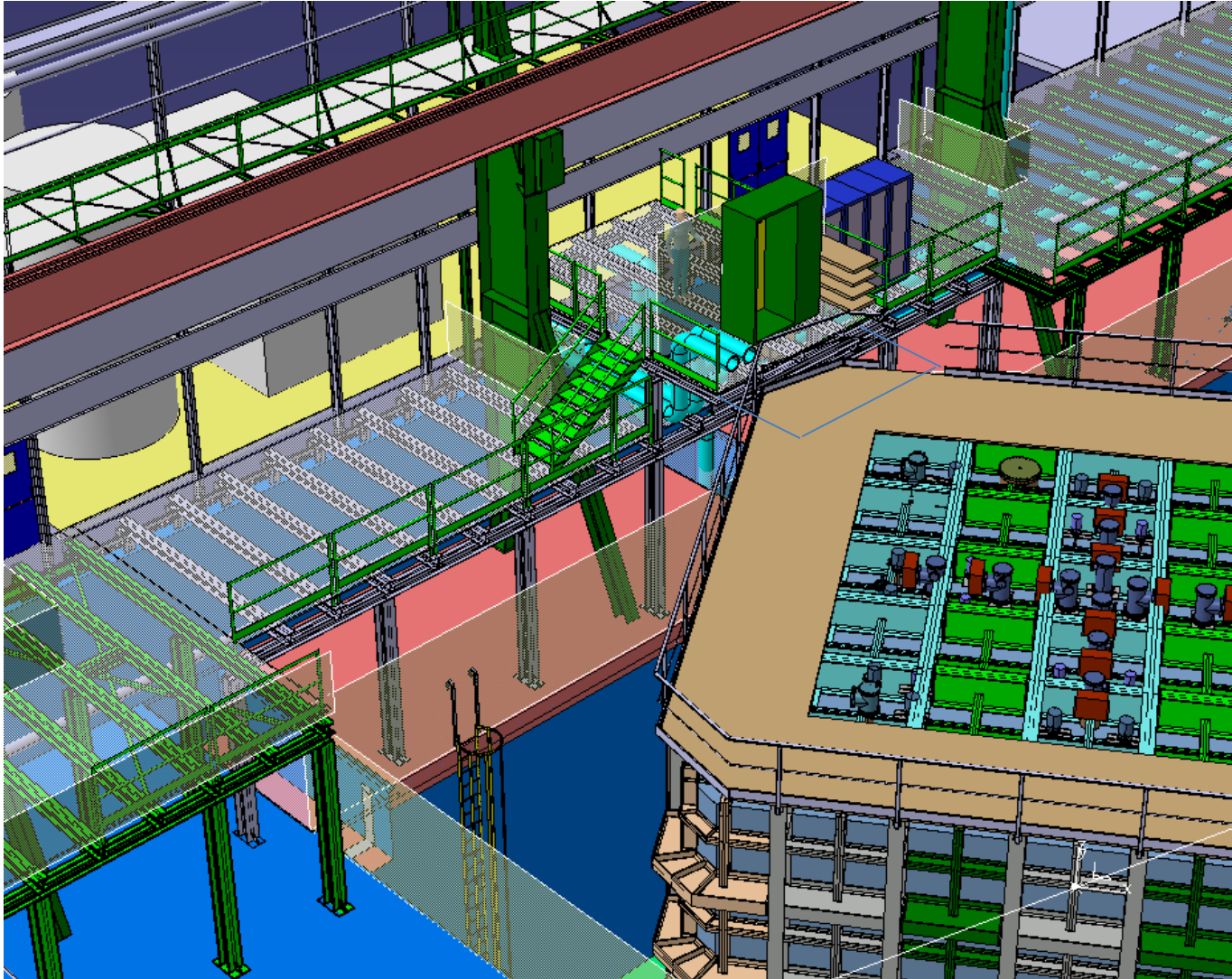


EHN1 extension

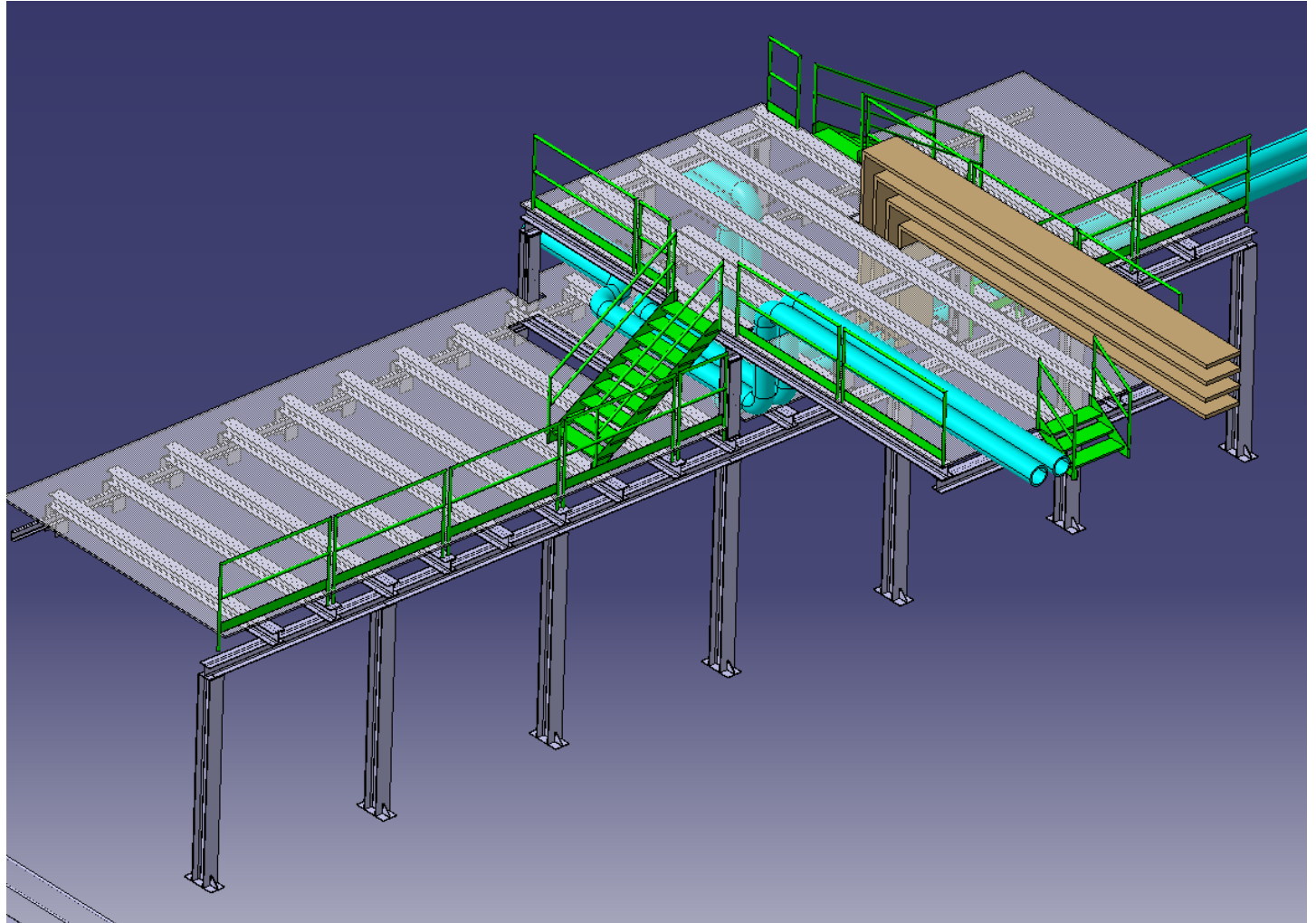
Beam lines integration

S. Girod, V. Clerc

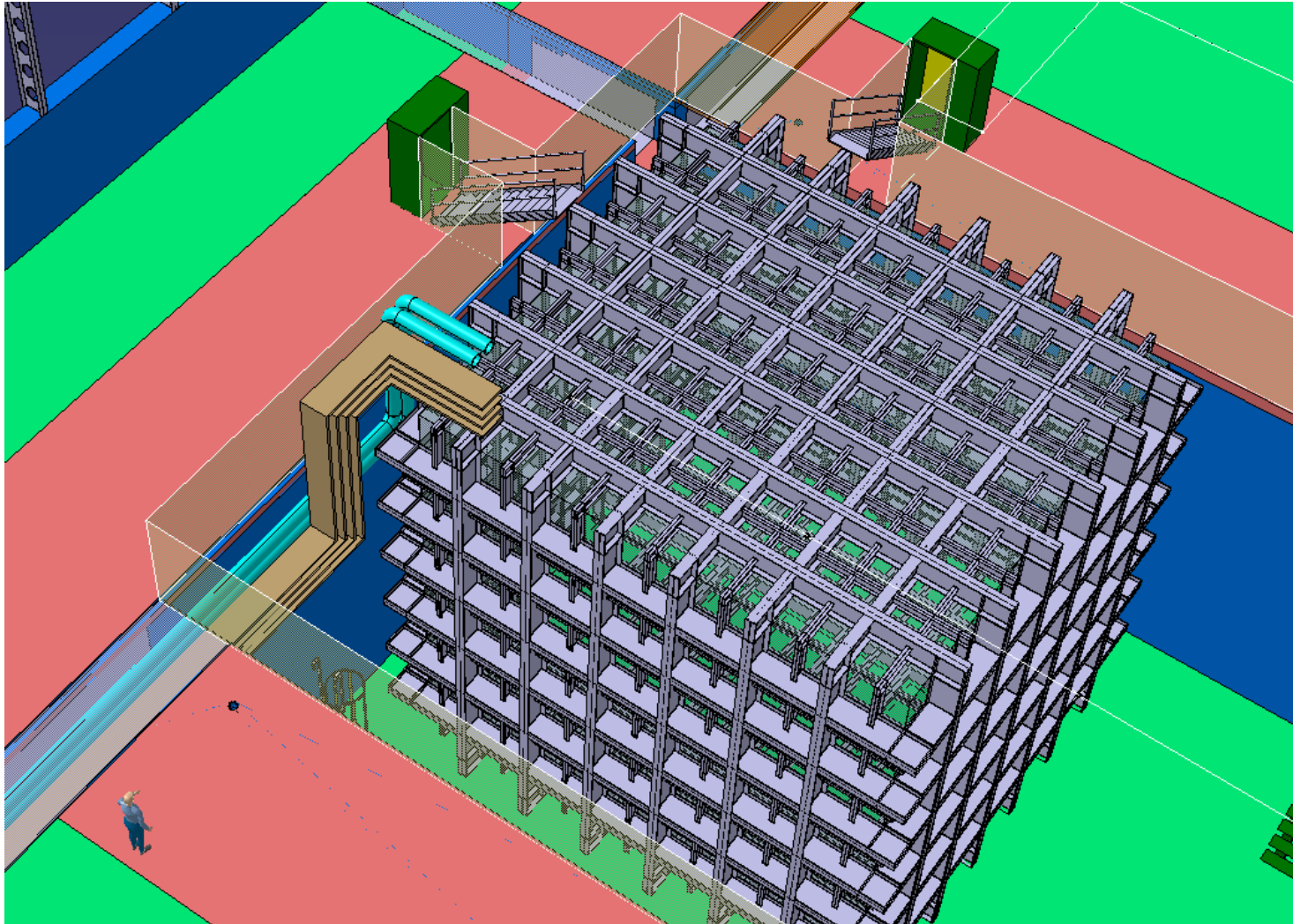
Access to WA105



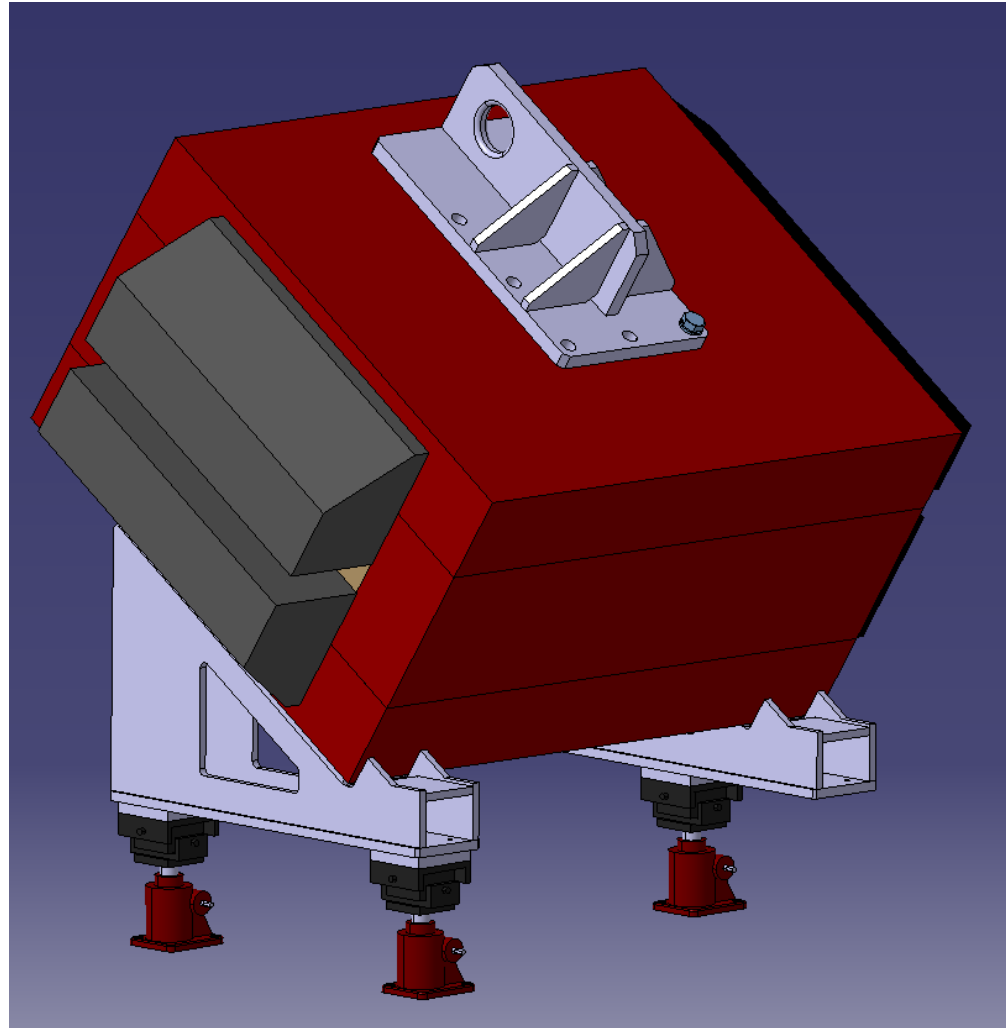
Access to WA105



Access to DUNE



MBPL magnet tilted 33.5°



H4 beam line

