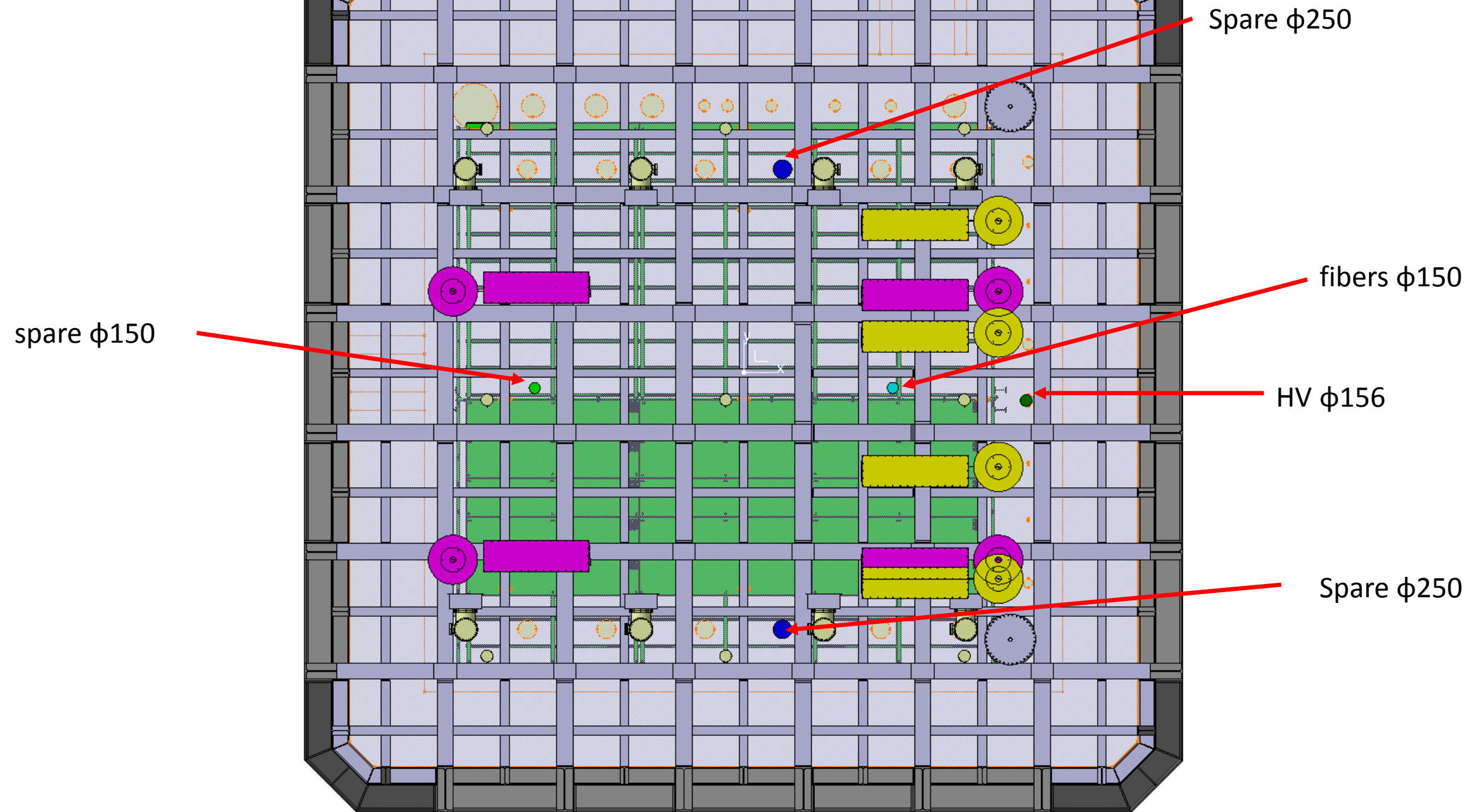


Penetrations

Diamanto, Jack, Dimitar, Daniel, Bo, Benoit

Top view



Spare $\phi 250$

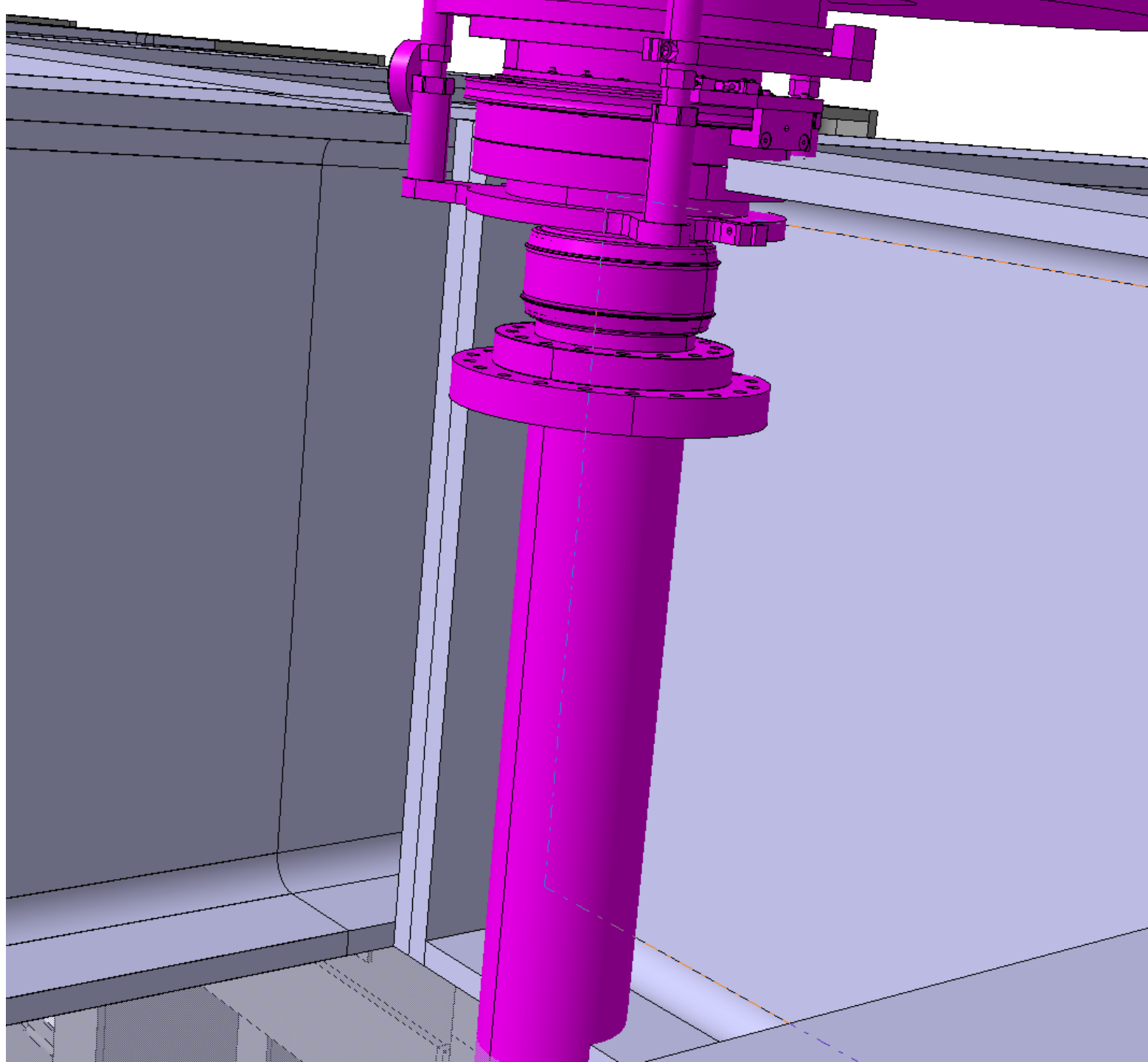
fibers $\phi 150$

HV $\phi 156$

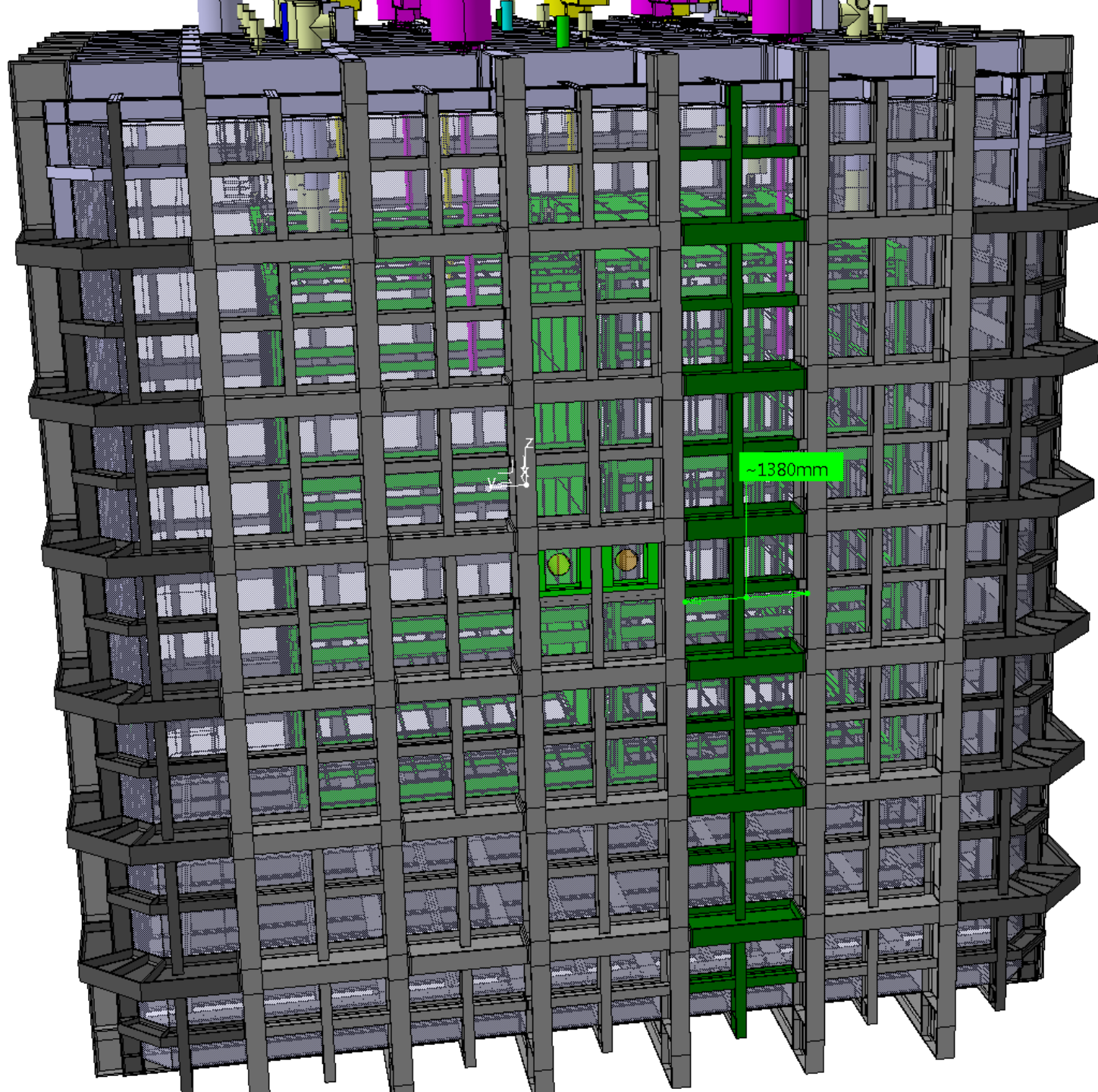
Spare $\phi 250$

spare $\phi 150$

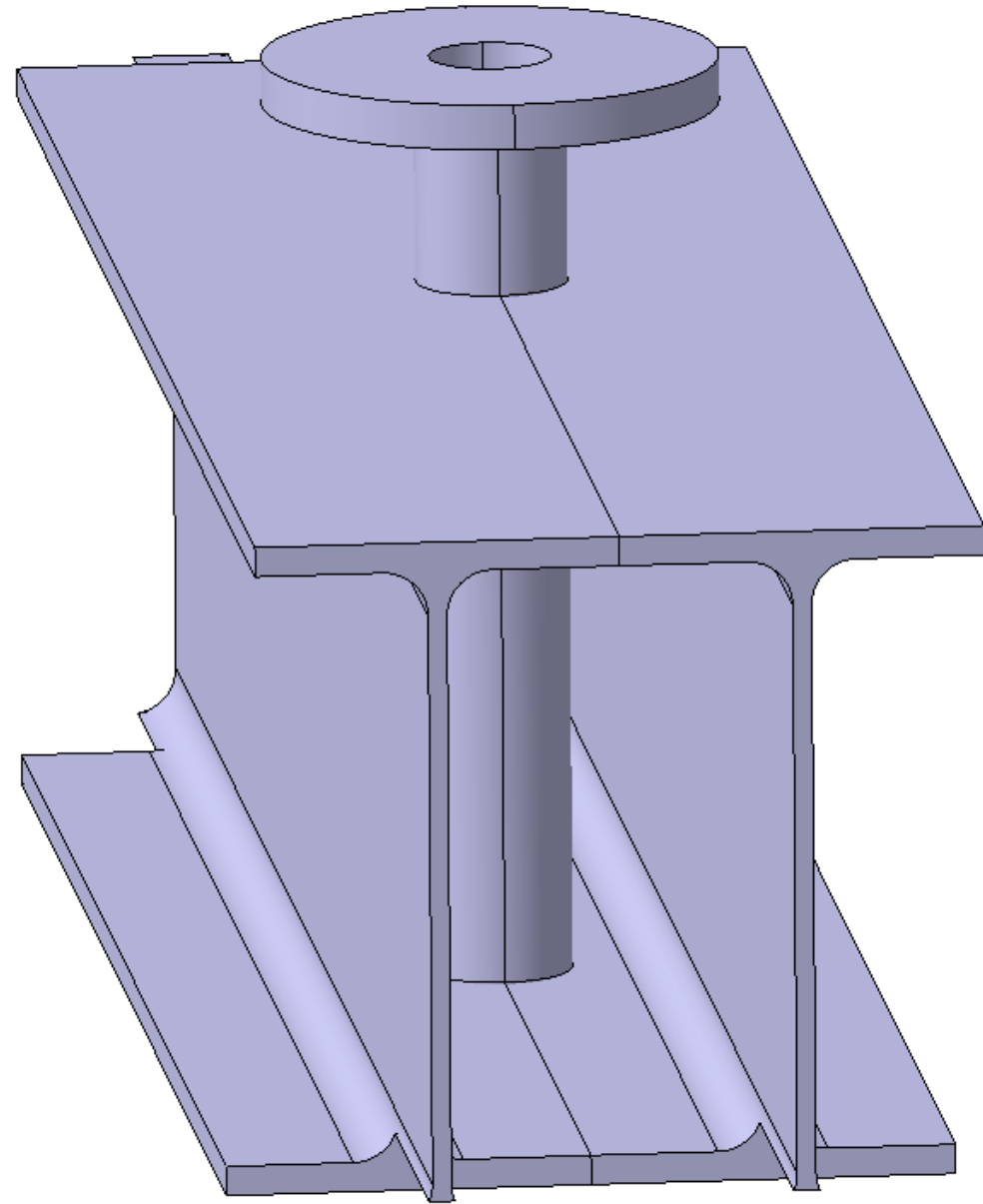
Laser conflict



Side opening



Supports for the feedthrus –
Possible solution 1



Supports for the feedthrus –
Possible solution 1

